

INTERNATIONAL STANDARD

NORME INTERNATIONALE

BASIC EMC PUBLICATION

PUBLICATION FONDAMENTALE EN CEM

**Electromagnetic compatibility (EMC) –
Part 4-2: Testing and measurement techniques – Electrostatic discharge
immunity test**

**Compatibilité électromagnétique (CEM) –
Partie 4-2: Techniques d'essai et de mesure – Essai d'immunité aux décharges
électrostatiques**



THIS PUBLICATION IS COPYRIGHT PROTECTED

Copyright © 2008 IEC, Geneva, Switzerland

All rights reserved. Unless otherwise specified, no part of this publication may be reproduced or utilized in any form or by any means, electronic or mechanical, including photocopying and microfilm, without permission in writing from either IEC or IEC's member National Committee in the country of the requester.

If you have any questions about IEC copyright or have an enquiry about obtaining additional rights to this publication, please contact the address below or your local IEC member National Committee for further information.

Droits de reproduction réservés. Sauf indication contraire, aucune partie de cette publication ne peut être reproduite ni utilisée sous quelque forme que ce soit et par aucun procédé, électronique ou mécanique, y compris la photocopie et les microfilms, sans l'accord écrit de la CEI ou du Comité national de la CEI du pays du demandeur.

Si vous avez des questions sur le copyright de la CEI ou si vous désirez obtenir des droits supplémentaires sur cette publication, utilisez les coordonnées ci-après ou contactez le Comité national de la CEI de votre pays de résidence.

IEC Central Office
3, rue de Varembe
CH-1211 Geneva 20
Switzerland
Email: inmail@iec.ch
Web: www.iec.ch

About the IEC

The International Electrotechnical Commission (IEC) is the leading global organization that prepares and publishes International Standards for all electrical, electronic and related technologies.

About IEC publications

The technical content of IEC publications is kept under constant review by the IEC. Please make sure that you have the latest edition, a corrigenda or an amendment might have been published.

- Catalogue of IEC publications: www.iec.ch/searchpub

The IEC on-line Catalogue enables you to search by a variety of criteria (reference number, text, technical committee,...). It also gives information on projects, withdrawn and replaced publications.

- IEC Just Published: www.iec.ch/online_news/justpub

Stay up to date on all new IEC publications. Just Published details twice a month all new publications released. Available on-line and also by email.

- Electropedia: www.electropedia.org

The world's leading online dictionary of electronic and electrical terms containing more than 20 000 terms and definitions in English and French, with equivalent terms in additional languages. Also known as the International Electrotechnical Vocabulary online.

- Customer Service Centre: www.iec.ch/webstore/custserv

If you wish to give us your feedback on this publication or need further assistance, please visit the Customer Service Centre FAQ or contact us:

Email: csc@iec.ch
Tel.: +41 22 919 02 11
Fax: +41 22 919 03 00

A propos de la CEI

La Commission Electrotechnique Internationale (CEI) est la première organisation mondiale qui élabore et publie des normes internationales pour tout ce qui a trait à l'électricité, à l'électronique et aux technologies apparentées.

A propos des publications CEI

Le contenu technique des publications de la CEI est constamment revu. Veuillez vous assurer que vous possédez l'édition la plus récente, un corrigendum ou amendement peut avoir été publié.

- Catalogue des publications de la CEI: www.iec.ch/searchpub/cur_fut-f.htm

Le Catalogue en-ligne de la CEI vous permet d'effectuer des recherches en utilisant différents critères (numéro de référence, texte, comité d'études,...). Il donne aussi des informations sur les projets et les publications retirées ou remplacées.

- Just Published CEI: www.iec.ch/online_news/justpub

Restez informé sur les nouvelles publications de la CEI. Just Published détaille deux fois par mois les nouvelles publications parues. Disponible en-ligne et aussi par email.

- Electropedia: www.electropedia.org

Le premier dictionnaire en ligne au monde de termes électroniques et électriques. Il contient plus de 20 000 termes et définitions en anglais et en français, ainsi que les termes équivalents dans les langues additionnelles. Egalement appelé Vocabulaire Electrotechnique International en ligne.

- Service Clients: www.iec.ch/webstore/custserv/custserv_entry-f.htm

Si vous désirez nous donner des commentaires sur cette publication ou si vous avez des questions, visitez le FAQ du Service clients ou contactez-nous:

Email: csc@iec.ch
Tél.: +41 22 919 02 11
Fax: +41 22 919 03 00



IEC 61000-4-2

Edition 2.0 2008-12

INTERNATIONAL STANDARD

NORME INTERNATIONALE

BASIC EMC PUBLICATION

PUBLICATION FONDAMENTALE EN CEM

**Electromagnetic compatibility (EMC) –
Part 4-2: Testing and measurement techniques – Electrostatic discharge
immunity test**

**Compatibilité électromagnétique (CEM) –
Partie 4-2: Techniques d'essai et de mesure – Essai d'immunité aux décharges
électrostatiques**

INTERNATIONAL
ELECTROTECHNICAL
COMMISSION

COMMISSION
ELECTROTECHNIQUE
INTERNATIONALE

PRICE CODE **XB**
CODE PRIX

ICS 33.100.20

ISBN 2-8318-1019-7

CONTENTS

FOREWORD.....	4
INTRODUCTION.....	6
1 Scope.....	7
2 Normative references.....	7
3 Terms and definitions.....	8
4 General.....	10
5 Test levels.....	10
6 Test generator.....	10
6.1 General.....	10
6.2 Characteristics and performance of the ESD generator.....	11
6.3 Verification of the ESD setup.....	14
7 Test setup.....	15
7.1 Test equipment.....	15
7.2 Test setup for tests performed in laboratories.....	15
7.2.1 Test requirements.....	15
7.2.2 Table-top equipment.....	16
7.2.3 Floor-standing equipment.....	17
7.2.4 Ungrounded equipment.....	18
7.3 Test setup for post-installation tests.....	22
8 Test procedure.....	23
8.1 Laboratory reference conditions.....	23
8.1.1 Environmental parameters.....	23
8.1.2 Climatic conditions.....	23
8.1.3 Electromagnetic conditions.....	24
8.2 EUT exercising.....	24
8.3 Execution of the test.....	24
8.3.1 Discharges to the EUT.....	24
8.3.2 Direct application of discharges to the EUT.....	24
8.3.3 Indirect application of the discharge.....	26
9 Evaluation of test results.....	27
10 Test report.....	27
Annex A (informative) Explanatory notes.....	28
Annex B (normative) Calibration of the current measurement system and measurement of discharge current.....	33
Annex C (informative) Example of a calibration target meeting the requirements of Annex B.....	39
Annex D (informative) Radiated fields from human metal discharge and ESD generators.....	45
Annex E (informative) Measurement uncertainty (MU) considerations.....	55
Annex F (informative) Variation in test results and escalation strategy.....	62
Bibliography.....	63
Figure 1 – Simplified diagram of the ESD generator.....	11
Figure 2 – Ideal contact discharge current waveform at 4 kV.....	13
Figure 3 – Discharge electrodes of the ESD generator.....	14

Figure 4 – Example of test set-up for table-top equipment, laboratory tests	17
Figure 5 – Example of test setup for floor-standing equipment, laboratory tests	18
Figure 6 – Example of a test setup for ungrounded table-top equipment	20
Figure 7 – Example of a test setup for ungrounded floor-standing equipment.....	21
Figure 8 – Example of test setup for floor-standing equipment, post-installation tests	23
Figure A.1 – Maximum values of electrostatic voltages to which operators may be charged while in contact with the materials mentioned in Clause A.2	29
Figure B.1 – Example of a target adapter line attached to current target	34
Figure B.2 – Example of a front side of a current target	34
Figure B.3 – Example of measurement of the insertion loss of a current target-attenuator-cable chain	35
Figure B.4 – Circuit diagram to determine the low-frequency system transfer impedance	36
Figure B.5 – Typical arrangement for calibration of ESD generator performance.....	38
Figure C.1 – Mechanical drawing of a coaxial target (drawing 1 of 5).....	40
Figure C.2 – Mechanical drawing of a coaxial target (drawing 2 of 5).....	41
Figure C.3 – Mechanical drawing of a coaxial target (drawing 3 of 5).....	42
Figure C.4 – Mechanical drawing of a coaxial target (drawing 4 of 5).....	43
Figure C.5 – Mechanical drawing of a coaxial target (drawing 5 of 5).....	44
Figure D.1 – Electric field of a real human, holding metal, charged at 5 kV measured at 0,1 m distance and for an arc length of 0,7 mm.....	48
Figure D.2 – Magnetic field of a real human, holding metal, charged at 5 kV, measured at 0,1 m distance and for an arc length of approximately 0,5 mm	48
Figure D.3 – Semi-circle loop on the ground plane	49
Figure D.4 – Voltages induced in a semi-loop	50
Figure D.5 – Example of test setup to measure radiated ESD fields.....	50
Figure D.6 – Comparison between measured (solid line) and calculated numerically (dot line) voltage drop on the loop for a distance of 45 cm	52
Figure D.7 – Comparison between calculated H field from measured data (solid line) and H field calculated by numerical simulation (dotted line) for a distance of 45 cm.....	52
Figure D.8 – Structure illuminated by radiated fields and equivalent circuit	53
Figure D.9 – Radiated H fields	54
Table 1 – Test levels.....	10
Table 2 – General specifications	12
Table 3 – Contact discharge current waveform parameters	12
Table 4 – Cases for application of ESD on connectors	25
Table A.1 – Guideline for the selection of the test levels	30
Table B.1 – Contact discharge calibration procedure	37
Table E.1 – Example of uncertainty budget for ESD rise time calibration	59
Table E.2 – Example of uncertainty budget for ESD peak current calibration	60
Table E.3 – Example of uncertainty budget for ESD I_{30} , I_{60} calibration.....	61

INTERNATIONAL ELECTROTECHNICAL COMMISSION

ELECTROMAGNETIC COMPATIBILITY (EMC) –**Part 4-2: Testing and measurement techniques –
Electrostatic discharge immunity test**

FOREWORD

- 1) The International Electrotechnical Commission (IEC) is a worldwide organization for standardization comprising all national electrotechnical committees (IEC National Committees). The object of IEC is to promote international co-operation on all questions concerning standardization in the electrical and electronic fields. To this end and in addition to other activities, IEC publishes International Standards, Technical Specifications, Technical Reports, Publicly Available Specifications (PAS) and Guides (hereafter referred to as "IEC Publication(s)"). Their preparation is entrusted to technical committees; any IEC National Committee interested in the subject dealt with may participate in this preparatory work. International, governmental and non-governmental organizations liaising with the IEC also participate in this preparation. IEC collaborates closely with the International Organization for Standardization (ISO) in accordance with conditions determined by agreement between the two organizations.
- 2) The formal decisions or agreements of IEC on technical matters express, as nearly as possible, an international consensus of opinion on the relevant subjects since each technical committee has representation from all interested IEC National Committees.
- 3) IEC Publications have the form of recommendations for international use and are accepted by IEC National Committees in that sense. While all reasonable efforts are made to ensure that the technical content of IEC Publications is accurate, IEC cannot be held responsible for the way in which they are used or for any misinterpretation by any end user.
- 4) In order to promote international uniformity, IEC National Committees undertake to apply IEC Publications transparently to the maximum extent possible in their national and regional publications. Any divergence between any IEC Publication and the corresponding national or regional publication shall be clearly indicated in the latter.
- 5) IEC provides no marking procedure to indicate its approval and cannot be rendered responsible for any equipment declared to be in conformity with an IEC Publication.
- 6) All users should ensure that they have the latest edition of this publication.
- 7) No liability shall attach to IEC or its directors, employees, servants or agents including individual experts and members of its technical committees and IEC National Committees for any personal injury, property damage or other damage of any nature whatsoever, whether direct or indirect, or for costs (including legal fees) and expenses arising out of the publication, use of, or reliance upon, this IEC Publication or any other IEC Publications.
- 8) Attention is drawn to the Normative references cited in this publication. Use of the referenced publications is indispensable for the correct application of this publication.
- 9) Attention is drawn to the possibility that some of the elements of this IEC Publication may be the subject of patent rights. IEC shall not be held responsible for identifying any or all such patent rights.

International Standard IEC 61000-4-2 has been prepared by subcommittee 77B: High-frequency phenomena, of IEC technical committee 77: Electromagnetic compatibility.

This second edition cancels and replaces the first edition published in 1995, its amendment 1 (1998) and its amendment 2 (2000) and constitutes a technical revision.

It forms Part 4-2 of IEC 61000. It has the status of a basic EMC publication in accordance with IEC Guide 107.

The main changes with respect to the first edition of this standard and its amendments are the following:

- the specifications of the target have been extended up to 4 GHz. An example of target matching these requirements is also provided;

- information on radiated fields from human-metal discharge and from ESD generators is provided;
- measurement uncertainty considerations with examples of uncertainty budgets are given too.

The text of this standard is based on the following documents:

FDIS	Report on voting
77B/574/FDIS	77B/584/RVD

Full information on the voting for the approval of this standard can be found in the report on voting indicated in the above table.

This publication has been drafted in accordance with the ISO/IEC Directives, Part 2.

A list of all parts of the IEC 61000 series, published under the general title *Electromagnetic compatibility (EMC)*, can be found on the IEC website.

The committee has decided that the contents of this publication will remain unchanged until the maintenance result date indicated on the IEC web site under "<http://webstore.iec.ch>" in the data related to the specific publication. At this date, the publication will be

- reconfirmed,
- withdrawn,
- replaced by a revised edition, or
- amended.

INTRODUCTION

IEC 61000-4 is a part of the IEC 61000 series, according to the following structure:

Part 1: General

- General consideration (introduction, fundamental principles)

- Definitions, terminology

Part 2: Environment

- Description of the environment

- Classification of the environment

- Compatibility levels

Part 3: Limits

- Emission limits

- Immunity limits (in so far as they do not fall under the responsibility of the product committees)

Part 4: Testing and measurement techniques

- Measurement techniques

- Testing techniques

Part 5: Installation and mitigation guidelines

- Installation guidelines

- Mitigation methods and devices

Part 6: Generic standards

Part 9: Miscellaneous

Each part is further subdivided into several parts, published either as international standards or as technical specifications or technical reports, some of which have already been published as sections. Others will be published with the part number followed by a dash and a second number identifying the subdivision (example: IEC 61000-6-1).

This part of IEC 61000 is an International Standard which gives immunity requirements and test procedures related to electrostatic discharge.

ELECTROMAGNETIC COMPATIBILITY (EMC) –

Part 4-2: Testing and measurement techniques – Electrostatic discharge immunity test

1 Scope

This part of IEC 61000 relates to the immunity requirements and test methods for electrical and electronic equipment subjected to static electricity discharges, from operators directly, and from personnel to adjacent objects. It additionally defines ranges of test levels which relate to different environmental and installation conditions and establishes test procedures.

The object of this standard is to establish a common and reproducible basis for evaluating the performance of electrical and electronic equipment when subjected to electrostatic discharges. In addition, it includes electrostatic discharges which may occur from personnel to objects near vital equipment.

This standard defines:

- typical waveform of the discharge current;
- range of test levels;
- test equipment;
- test setup;
- test procedure;
- calibration procedure;
- measurement uncertainty.

This standard gives specifications for test performed in "laboratories" and "post-installation tests" performed on equipment in the final installation.

This standard does not intend to specify the tests to be applied to particular apparatus or systems. Its main aim is to give a general basic reference to all concerned product committees of the IEC. The product committees (or users and manufacturers of equipment) remain responsible for the appropriate choice of the tests and the severity level to be applied to their equipment.

In order not to impede the task of coordination and standardization, the product committees or users and manufacturers are strongly recommended to consider (in their future work or revision of old standards) the adoption of the relevant immunity tests specified in this standard.

2 Normative references

The following referenced documents are indispensable for the application of this document. For dated references, only the edition cited applies. For undated references, the latest edition of the referenced document (including any amendments) applies.

IEC 60050(161), *International Electrotechnical Vocabulary (IEV) – Chapter 161: Electromagnetic compatibility*

IEC 60068-1, *Environmental testing – Part 1: General and guidance*

3 Terms and definitions

For the purposes of this part of IEC 61000, the following terms and definitions apply and are applicable to the restricted field of electrostatic discharge; not all of them are included in IEC 60050(161) [IEV].

3.1

air discharge method

method of testing in which the charged electrode of the test generator is moved towards the EUT until it touches the EUT

3.2

antistatic material

material exhibiting properties which minimize charge generation when rubbed against or separated from the same or other similar materials

3.3

calibration

set of operations which establishes, by reference to standards, the relationship which exists, under specified conditions, between an indication and a result of a measurement

NOTE 1 This term is based on the "uncertainty" approach.

NOTE 2 The relationship between the indications and the results of measurement can be expressed, in principle, by a calibration diagram.

[IEV 311-01-09]

3.4

conformance test

test on a representative sample of the equipment with the objective of determining whether the equipment, as designed and manufactured, can meet the requirements of this standard

3.5

contact discharge method

method of testing in which the electrode of the test generator is kept in contact with the EUT or coupling plane and the discharge is actuated by the discharge switch within the generator

3.6

coupling plane

metal sheet or plate, to which discharges are applied to simulate electrostatic discharge to objects adjacent to the EUT; HCP: Horizontal Coupling Plane; VCP: Vertical Coupling Plane

3.7

degradation (of performance)

undesired departure in the operational performance of any device, equipment or system from its intended performance

NOTE The term "degradation" can apply to temporary or permanent malfunction.

[IEV 161-01-19]

3.8

direct application

application of the discharge directly to the EUT

3.9

electromagnetic compatibility (EMC)

ability of an equipment or system to function satisfactorily in its electromagnetic environment without introducing intolerable electromagnetic disturbances to anything in that environment

[IEV 161-01-07]

3.10**electrostatic discharge (ESD)**

transfer of electric charge between bodies of different electrostatic potential in proximity or through direct contact

[IEV 161-01-22]

3.11**energy storage capacitor**

capacitor of the ESD-generator representing the capacity of a human body charged to the test voltage value

NOTE This element may be provided as a discrete component or a distributed capacitance.

3.12**EUT**

equipment under test

3.13**ground reference plane (GRP)**

flat conductive surface whose potential is used as a common reference

[IEV 161-04-36]

3.14**holding time**

interval of time within which the decrease of the test voltage due to leakage, prior to the discharge, is not greater than 10 %

3.15**immunity (to a disturbance)**

ability of a device, equipment or system to perform without degradation in the presence of an electromagnetic disturbance

[IEV 161-01-20]

3.16**indirect application**

application of the discharge to a coupling plane in the vicinity of the EUT to simulate personnel discharge to objects which are adjacent to the EUT

3.17**rise time**

interval of time between the instants at which the instantaneous value of a pulse first reaches the specified lower and upper limits

NOTE Unless otherwise specified, the lower and upper values are fixed at 10 % and 90 % of the pulse magnitude.

[IEV 161-02-05, modified]

3.18**verification**

set of operations which are used to check the test equipment system (e.g., the test generator and the interconnecting cables) and to demonstrate that the test system is functioning

NOTE 1 The methods used for verification can be different from those used for calibration.

NOTE 2 For the purpose of this basic EMC standard this definition is different from the definition given in IEC 311-01-13.

4 General

This standard relates to equipment, systems, subsystems and peripherals which may be involved in static electricity discharges owing to environmental and installation conditions, such as low relative humidity, use of low-conductivity (artificial-fiber) carpets, vinyl garments, etc., which may exist in all locations classified in standards relevant to electrical and electronic equipment (for more detailed information, see Clause A.1).

NOTE From the technical point of view, the precise term for the phenomenon would be static electricity discharge. However, the term electrostatic discharge (ESD) is widely used in the technical world and in technical literature. Therefore, it has been decided to retain the term electrostatic discharge in the title of this standard.

5 Test levels

The preferred range of test levels for the ESD test is given in Table 1.

Contact discharge is the preferred test method. Air discharges shall be used where contact discharge cannot be applied. Voltages for each test method are given in Table 1. The voltages shown are different for each method due to the differing methods of test. This does not imply that the test severity is equivalent between test methods.

Details concerning the various parameters which may influence the voltage to which the human body may be charged are given in Clause A.2. Clause A.4 also contains examples of the application of the test levels related to environmental (installation) classes.

For air discharge testing, the test shall be applied at all test levels in Table 1 up to and including the specified test level. For contact discharge testing, the test shall be applied at the specified test level only unless otherwise specified by product committees.

Further information is given in Clauses A.3, A.4 and A.5.

Table 1 – Test levels

Contact discharge		Air discharge	
Level	Test voltage kV	Level	Test voltage kV
1	2	1	2
2	4	2	4
3	6	3	8
4	8	4	15
x ^a	Special	x ^a	Special

^a "x" can be any level, above, below or in between the others. The level shall be specified in the dedicated equipment specification. If higher voltages than those shown are specified, special test equipment may be needed.

6 Test generator

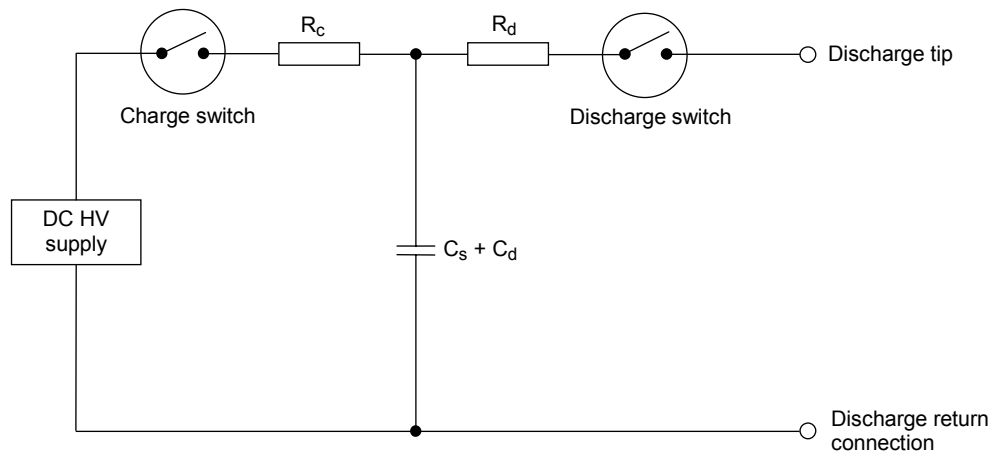
6.1 General

The test generator consists, in its main parts, of

- charging resistor R_c ;
- energy-storage capacitor C_S ;
- distributed capacitance C_d ;
- discharge resistor R_d ;
- voltage indicator;

- discharge switch;
- charge switch;
- interchangeable tips of the discharge electrode (see Figure 3);
- discharge return cable;
- power supply unit.

A simplified diagram of the ESD generator is given in Figure 1. Constructional details are not given.



NOTE 1 C_d is a distributed capacitance which exists between the generator and its surroundings.

NOTE 2 $C_d + C_s$ has a typical value of 150 pF.

NOTE 3 R_d has a typical value of 330 Ω .

Figure 1 – Simplified diagram of the ESD generator

The generator shall meet the requirements given in 6.2 when evaluated according to the procedures in Annex B. Therefore, neither the diagram in Figure 1, nor the element values are specified in detail.

6.2 Characteristics and performance of the ESD generator

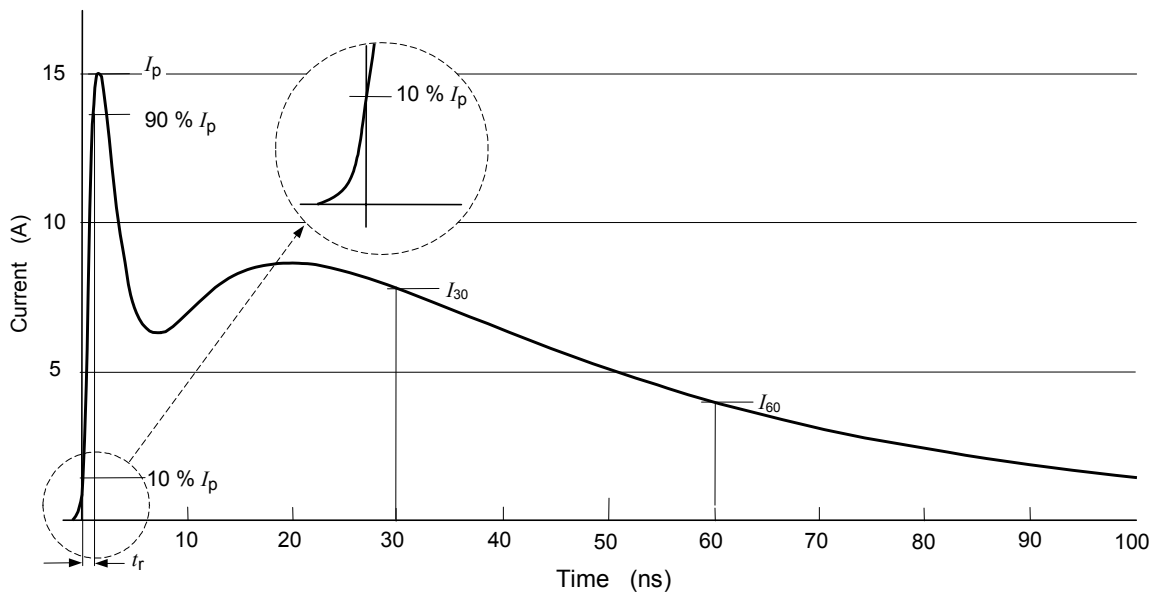
The test generator shall meet the specifications given in Tables 2 and 3. Figure 2 shows an ideal current waveform and the measurement points referred to in Tables 2 and 3. Conformance with these specifications shall be demonstrated according to the methods described in Annex B.

Table 2 – General specifications

Parameters	Values
Output voltage, contact discharge mode (see NOTE 1)	At least 1 kV to 8 kV, nominal
Output voltage, air discharge mode (see NOTE 1)	At least 2 kV to 15 kV, nominal (see NOTE 3)
Tolerance of output voltage	±5 %
Polarity of output voltage	Positive and negative
Holding time	≥5 s
Discharge mode of operation	Single discharges (see NOTE 2)
<p>NOTE 1 Open circuit voltage measured at the discharge electrode of the ESD generator.</p> <p>NOTE 2 The generator should be able to generate at a repetition rate of at least 20 discharges per second for exploratory purposes.</p> <p>NOTE 3 It is not necessary to use a generator with 15 kV air discharge capability if the maximum test voltage to be used is lower.</p>	

Table 3 – Contact discharge current waveform parameters

Level	Indicated voltage kV	First peak current of discharge ±15 % A	Rise time t_r (±25 %) ns	Current (±30 %) at 30 ns A	Current (±30 %) at 60 ns A
1	2	7,5	0,8	4	2
2	4	15	0,8	8	4
3	6	22,5	0,8	12	6
4	8	30	0,8	16	8
<p>The reference point for measuring the time for the current at 30 ns and 60 ns is the instant when the current first reaches 10 % of the 1st peak of the discharge current.</p> <p>NOTE The rise time, t_r, is the time interval between 10 % and 90 % value of 1st peak current.</p>					



IEC 2206/08

Figure 2 – Ideal contact discharge current waveform at 4 kV

The equation for the idealized waveform of Figure 2, $I(t)$, is as follows:

$$I(t) = \frac{I_1}{k_1} \times \frac{\left(\frac{t}{\tau_1}\right)^n}{1 + \left(\frac{t}{\tau_1}\right)^n} \times \exp\left(\frac{-t}{\tau_2}\right) + \frac{I_2}{k_2} \times \frac{\left(\frac{t}{\tau_3}\right)^n}{1 + \left(\frac{t}{\tau_3}\right)^n} \times \exp\left(\frac{-t}{\tau_4}\right)$$

where

$$k_1 = \exp\left(-\frac{\tau_1}{\tau_2} \left(\frac{n\tau_2}{\tau_1}\right)^{1/n}\right)$$

$$k_2 = \exp\left(-\frac{\tau_3}{\tau_4} \left(\frac{n\tau_4}{\tau_3}\right)^{1/n}\right)$$

and

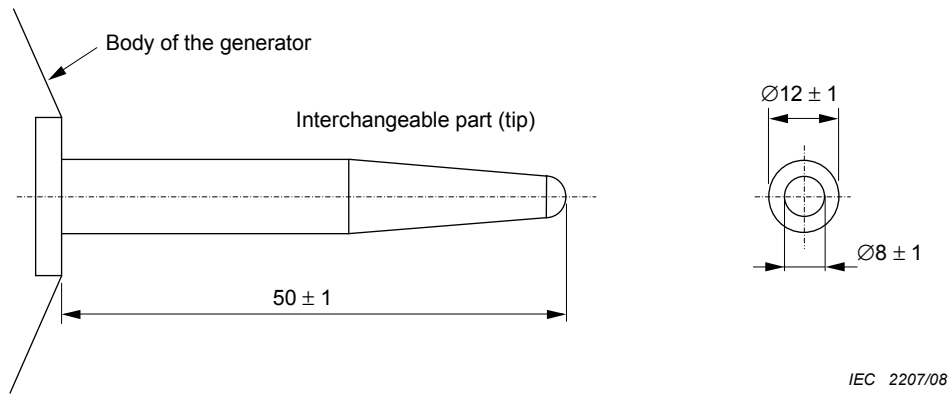
$$\tau_1 = 1,1 \text{ ns}; \tau_2 = 2 \text{ ns}; \tau_3 = 12 \text{ ns}; \tau_4 = 37 \text{ ns};$$

$$I_1 = 16,6 \text{ A (at 4 kV)}; I_2 = 9,3 \text{ A (at 4 kV)};$$

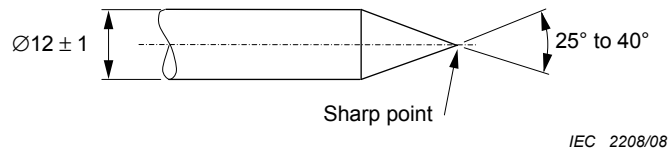
$$n = 1,8.$$

The generator should be provided with means of preventing unintended radiated or conducted emissions, either of pulse or continuous type, so as not to disturb the EUT or auxiliary test equipment by parasitic effects (see Annex D).

The discharge electrodes shall conform to the shapes and dimensions shown in Figure 3. The electrodes may be covered with insulated coatings, provided the discharge current waveform specifications are met.



3a) – Discharge electrode for air discharges



3b) – Discharge electrode for contact discharges

Figure 3 – Discharge electrodes of the ESD generator

For the air discharge test method the same generator is used and the discharge switch has to be closed. The generator shall be fitted with the round tip shown in Figure 3a). Because the same ESD generator is used no further specifications for the air discharge method exist.

The discharge return cable of the test generator shall be $(2 \pm 0,05)$ m long, and constructed to allow the generator to meet the waveform specification. The length of the discharge return cable is measured from the ESD generator body to the end of the connecting point. It shall be sufficiently insulated to prevent the flow of the discharge current to personnel or conducting surfaces other than via its termination, during the ESD test.

The discharge return cable used for testing shall be the same or identical with the cable used during calibration.

In cases where a 2 m length of the discharge return cable is insufficient, (e.g. for tall EUTs), a length up to 3 m may be used. The waveform specification shall be met with the cable(s) used during testing.

6.3 Verification of the ESD setup

The purpose of verification is to ensure that the ESD test setup is operating. The ESD test setup includes:

- the ESD generator;
- the discharge return cable;
- the 470 kΩ bleeder resistors;
- the ground reference plane, and,
- all of the connections that form the discharge path.

Examples for the ESD test setup are given in Figure 4 for table-top equipment and in Figure 5 for floor-mounted equipment.

To verify the proper ESD test setup, one verification method may be to observe that at low voltage settings, a small spark is created during air discharge to the coupling plane and a larger spark is created at higher settings. It is essential to verify the ground strip connection and location prior to this verification.

Rationale: Since waveforms from ESD generators do not typically change in subtle ways (for example, the rise time and duration of the waveform do not drift), the most likely ESD generator failures would be that no voltage was delivered to the discharge electrode or that no voltage control was present. Any of the cables, resistors or connections along the discharge path may be damaged, loose or missing, resulting in no discharge.

It is recommended that the ESD test setup is verified prior to testing.

7 Test setup

7.1 Test equipment

The test setup consists of the test generator, EUT and auxiliary instrumentation necessary to perform direct and indirect application of discharges to the EUT in the following manner:

- a) contact discharge to the conductive surfaces and to coupling planes;
- b) air discharge at insulating surfaces.

Two different types of tests can be distinguished:

- type (conformance) tests performed in laboratories;
- post installation tests performed on equipment in its final installed conditions.

The preferred test method is that of type tests performed in laboratories.

The EUT shall be arranged in accordance with the manufacturer's instructions for installation (if any).

7.2 Test setup for tests performed in laboratories

7.2.1 Test requirements

The following requirements apply to tests performed in laboratories under environmental reference conditions outlined in 8.1.

A ground reference plane (GRP) shall be provided on the floor of the laboratory. It shall be a metallic sheet (copper or aluminum) of 0,25 mm minimum thickness; other metallic materials may be used but they shall have at least 0,65 mm minimum thickness.

The ground reference plane (GRP) shall project beyond the EUT or the horizontal coupling plane (when applicable) by at least 0,5 m on all sides, and shall be connected to the protective grounding system.

Local safety regulations shall always be met.

The EUT shall be arranged and connected according to its functional requirements.

A distance of 0,8 m minimum shall be provided between the EUT and the walls of the laboratory and any other metallic structure.

The EUT and ESD generator (including any external power supply) shall be grounded in accordance with their installation specifications. No additional grounding connections are allowed.

The positioning of the power and signal cables shall be representative of installation practice.

The discharge return cable of the ESD generator shall be connected to the ground reference plane. Only in cases where the length of the cable exceeds the length necessary to apply the discharges to the selected points, the excess length shall, where possible, be placed non-inductively off the ground reference plane. The discharge return cable shall not come closer than 0,2 m to other conductive parts in the test setup except the ground reference plane.

NOTE 1 It is allowed to connect the discharge return cable to the metallic wall of the test laboratory provided that wall is electrically bonded to the GRP.

The connection of the earth cables to the ground reference plane and all bondings shall be of low impedance, for example by using mechanical clamping devices for high frequency applications.

Where coupling planes are specified, for example to allow indirect application of the discharge, they shall be constructed from a metallic sheet (copper or aluminum) of 0,25 mm minimum in thickness (other metallic materials may be used but they shall have at least 0,65 mm minimum in thickness) and shall be connected to the GRP via a cable with a 470 k Ω resistor located at each end. These resistors shall be capable of withstanding the discharge voltage. The resistors and cables shall be insulated to avoid short circuits to the GRP when the cable lies on the GRP.

NOTE 2 The 470 k Ω bleeder resistors which are contained in the grounding cables of the HCP and VCP (see Figures 4 to 8) are used to prevent the charge applied to the planes disappearing instantly after the discharge of the ESD generator to the plane. This increases the impact of the ESD event to the EUT. The resistors should be capable of withstanding the maximum discharge voltage applied to the EUT plane during the test. They should be positioned close to each end of the grounding cable in order to create a distributed resistance.

Additional specifications for the different types of equipment are given below.

7.2.2 Table-top equipment

The test setup shall consist of a non-conductive table, $(0,8 \pm 0,08)$ m high, standing on the ground reference plane.

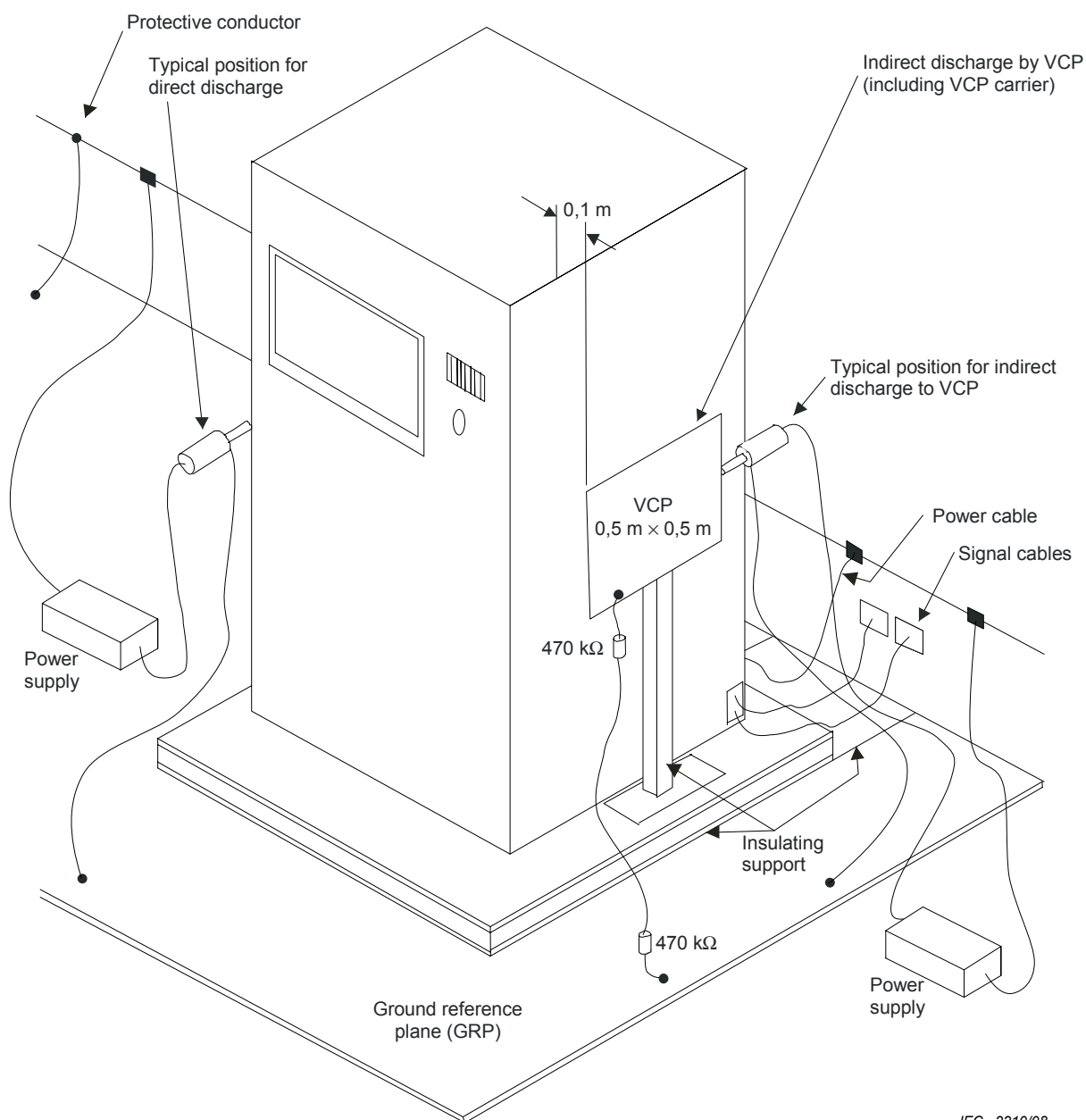
A horizontal coupling plane (HCP), $(1,6 \pm 0,02)$ m \times $(0,8 \pm 0,02)$ m, shall be placed on the table. The EUT and its cables shall be isolated from the coupling plane by an insulating support $(0,5 \pm 0,05)$ mm in thickness.

NOTE It is recommended that the insulating properties are maintained.

If the EUT is too large to be located 0,1 m minimum from all sides of the HCP, an additional, identical HCP shall be used, placed $(0,3 \pm 0,02)$ m from the first HCP. The table has to be enlarged or two tables may be used. The HCPs shall not be bonded together, other than via resistive cables to the GRP.

Any mounting feet associated with the EUT shall remain in place.

An example of the test setup for table-top equipment is given in Figure 4.



IEC 2210/08

Figure 5 – Example of test setup for floor-standing equipment, laboratory tests

Any mounting feet associated with the EUT shall remain in place.

7.2.4 Ungrounded equipment

7.2.4.1 General

The test setup described in this subclause is applicable to equipment or part(s) of equipment whose installation specifications or design precludes connection to any grounding system. This includes portable, battery-operated (internal and external) with or without charger (ungrounded power cable) and double-insulated equipment (class II equipment).

Rationale: Ungrounded equipment, or ungrounded part(s) of equipment, cannot discharge itself similarly to class I mains-supplied equipment. If the charge is not removed before the next ESD pulse is applied, it is possible that the EUT or part(s) of the EUT be stressed up to

twice the intended test voltage. Therefore, this type of equipment or equipment parts could be charged at an unrealistically high charge, by accumulating several ESD discharges on the capacitance of the class II insulation, and then discharge at the breakdown voltage of the insulation with a much higher energy.

The general test setup shall be identical to the ones described in 7.2.2 and 7.2.3 respectively.

To simulate a single ESD event (either by air or by contact discharge), the charge on the EUT shall be removed prior to each applied ESD pulse.

The charge on the metallic point or part to which the ESD pulse is to be applied, for example, connector shells, battery charge pins, metallic antennas, shall be removed prior to each applied ESD test pulse.

When one or several metallic accessible parts are subjected to the ESD test, the charge shall be removed from the point where the ESD pulse is to be applied, as no guarantee can be given about the resistance between this and other accessible points on the product.

A cable with 470 k Ω bleeder resistors, similar to the one used with the HCP and VCP is the preferred device to remove charges; see 7.2.

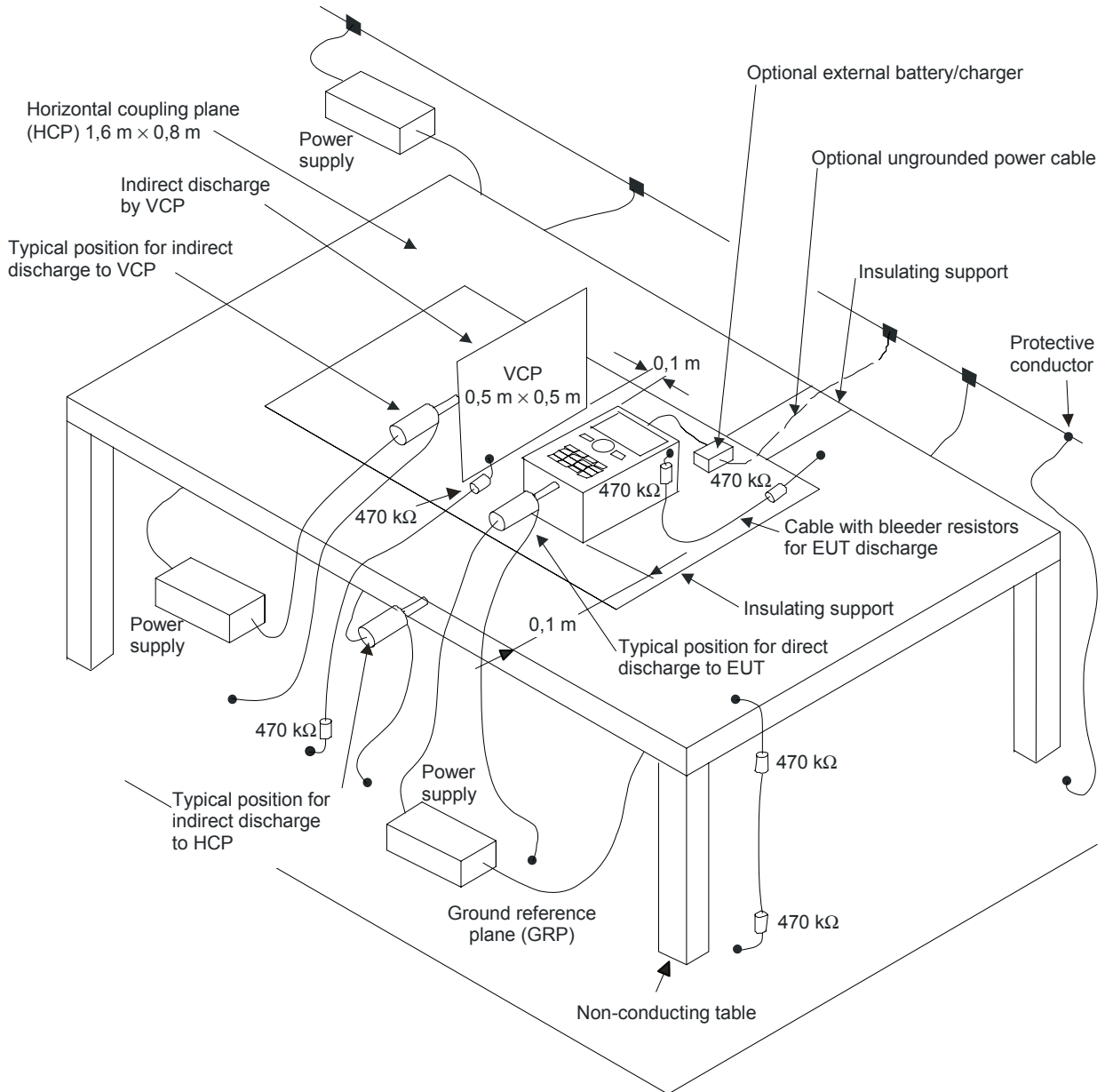
As the capacitance between EUT and HCP (table-top) and between EUT and GRP (floor-standing) is determined by the size of the EUT, the cable with bleeder resistors may remain installed during the ESD test when functionally allowed. In the cable with bleeder resistors, one resistor shall be connected as close as possible, preferably less than 20 mm from the EUT test point. The second resistor shall be connected near the end of the cable attached to the HCP for table-top equipment (see Figure 6), or GRP for floor-standing equipment (see Figure 7).

The presence of the cable with the bleeder resistors can influence the test results of some equipment. A test with the cable disconnected during the ESD pulse takes precedence over the test with the cable installed during the test, provided that the charge has sufficiently decayed between the successive discharges.

Therefore as an alternative, the following options may be used:

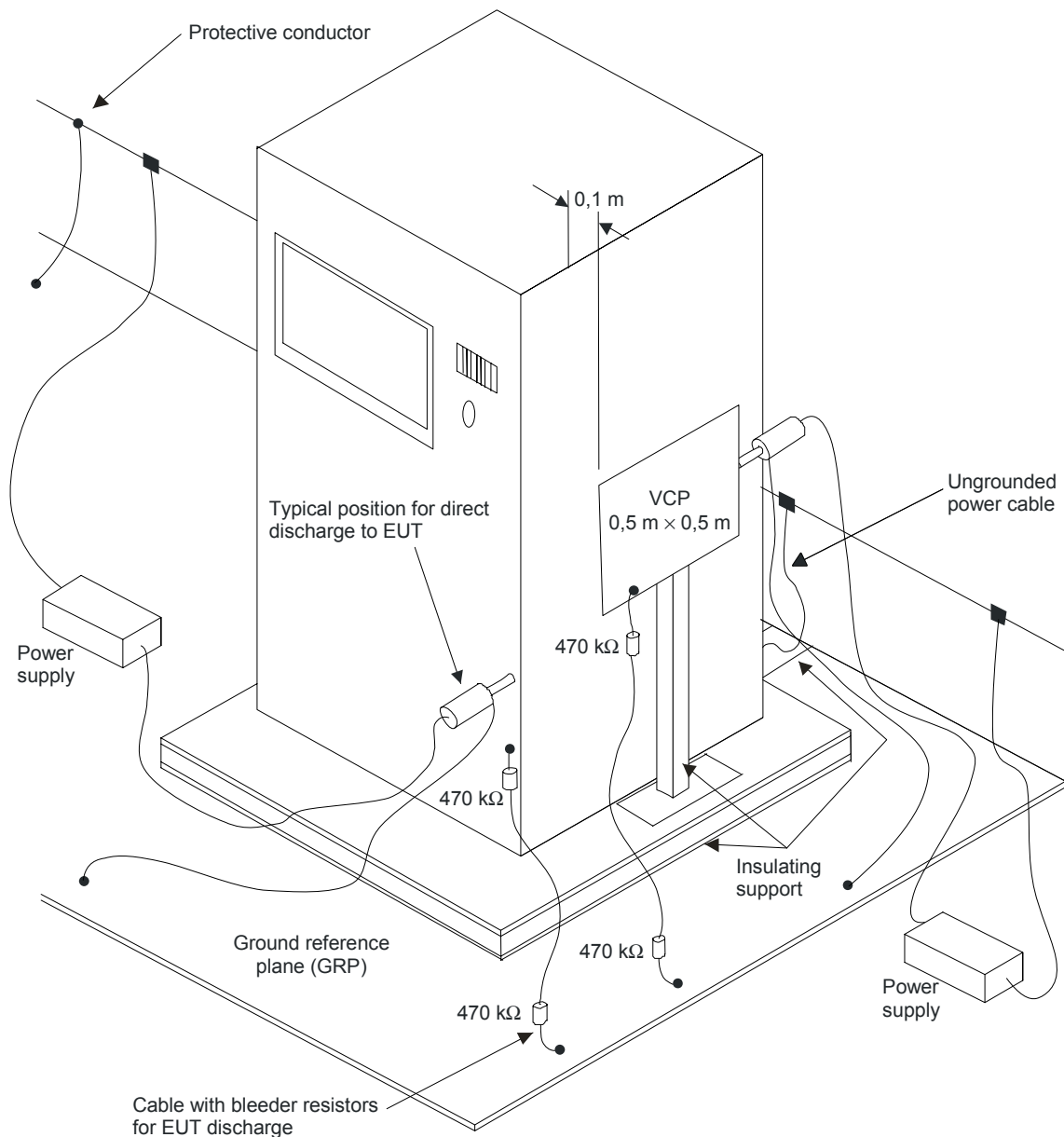
- the time interval between successive discharges shall be extended to the time necessary to allow natural decay of the charge from the EUT;
- sweeping of the EUT with a grounded carbon fibre brush with bleeder resistors (for example, 2 \times 470 k Ω) in the grounding cable.

NOTE In case of dispute concerning the charge decay, the charge on the EUT can be monitored by a non-contacting electric field meter. When the charge has decayed below 10 % of the initial value, the EUT is considered to be discharged.



IEC 2211/08

Figure 6 – Example of a test setup for ungrounded table-top equipment



IEC 2212/08

Figure 7 – Example of a test setup for ungrounded floor-standing equipment

7.2.4.2 Table-top equipment

Table-top equipment without any metallic connection to the ground reference plane shall be installed similarly to 7.2.2 and Figure 4.

When a metallic accessible part, to which the ESD pulse is to be applied, is available on the EUT, this part shall be connected to the HCP via the cable with bleeder resistors; see Figure 6.

7.2.4.3 Floor-standing equipment

Floor-standing equipment without any metallic connection to the ground reference plane shall be installed similarly to 7.2.3 and Figure 5.

A cable with bleeder resistors shall be used between the metallic accessible part, to which the ESD pulse is to be applied, and the ground reference plane (GRP); see Figure 7.

7.3 Test setup for post-installation tests

These post installation tests, which are performed in situ, may be applied when agreed between manufacturer and customer. It has to be considered that other co-located equipment may be unacceptably affected.

NOTE In addition, the EUT itself may suffer significant ageing from in situ ESD testing. The mean time to failure (MTTF) of many modern electronic circuits decreases significantly if these circuits had once to withstand the discharge of static electricity. The malfunction does not need to occur immediately during the ESD test but the device will often fail much faster than a device which never had to withstand ESD tests. Taking this into consideration it may be wise to decide to perform no in situ ESD testing at all.

If it is decided to perform post installation ESD tests the EUT shall be tested in its final installation conditions.

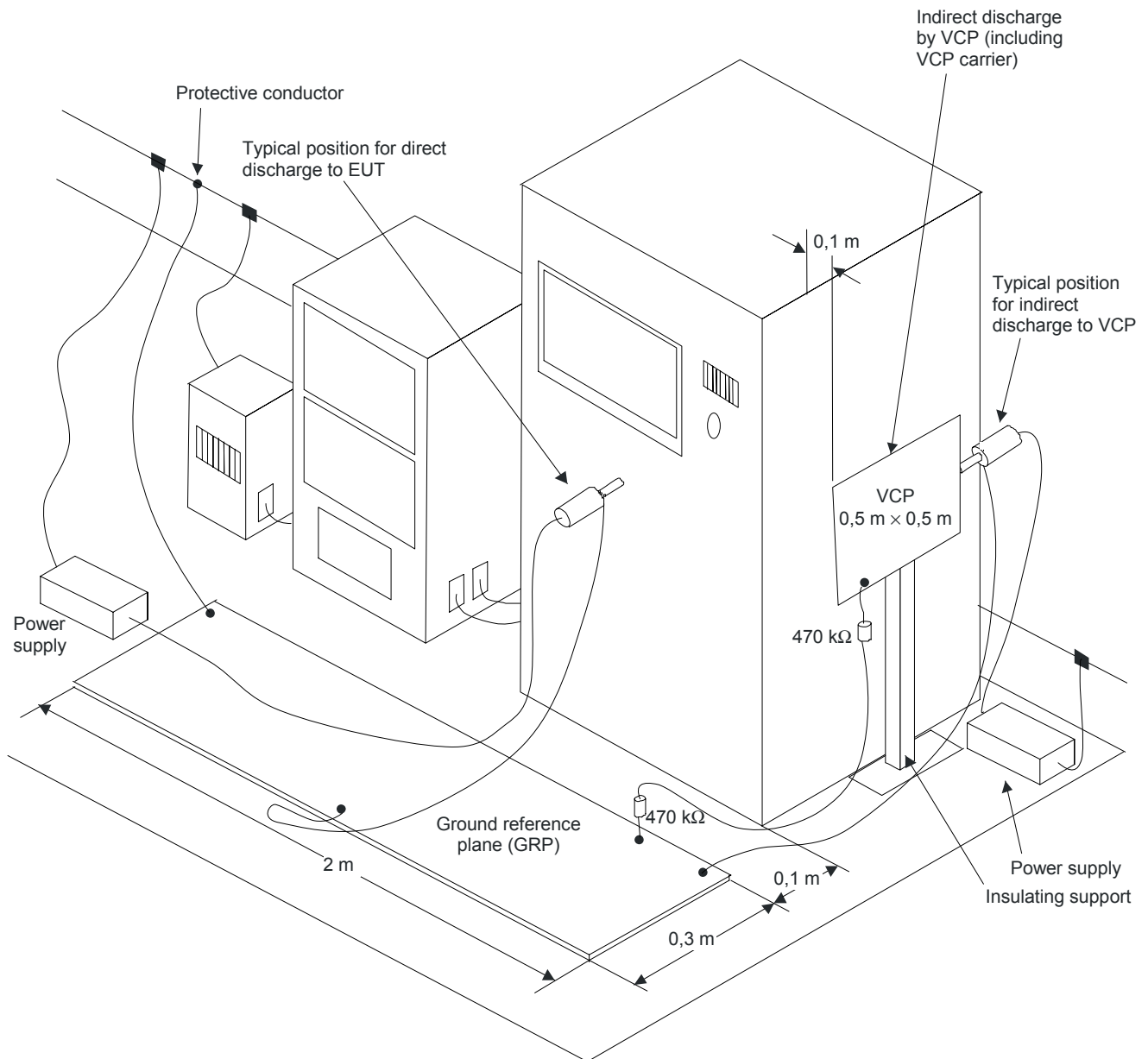
In order to facilitate a connection for the discharge return cable, a ground reference plane shall be placed on the floor of the installation, close to the EUT at about 0,1 m distance. This plane should be of copper or aluminium not less than 0,25 mm thick. Other metallic materials may be used, providing the minimum thickness is 0,65 mm. The plane should be approximately 0,3 m wide, and 2 m in length where the installation allows.

This ground reference plane should be connected to the protective earthing system. Where this is not possible, it should be connected to the earthing terminal of the EUT, if available.

The discharge return cable of the ESD generator shall be connected to the reference plane. Where the EUT is installed on a metal table, the table shall be connected to the reference plane via a cable with a 470 k Ω resistor located at each end, to prevent a build-up of charge.

The ungrounded metallic parts shall be tested following 7.2.4 The cable with the bleeder resistors shall be connected to the GRP close to the EUT.

An example of the setup for post-installation tests is given in Figure 8.



IEC 2213/08

Figure 8 – Example of test setup for floor-standing equipment, post-installation tests

8 Test procedure

8.1 Laboratory reference conditions

8.1.1 Environmental parameters

In order to minimize the impact of environmental parameters on test results, the tests and calibration shall be carried out in climatic and electromagnetic reference conditions as specified in 8.1.2 and 8.1.3.

8.1.2 Climatic conditions

The EUT shall be operated within its intended climatic conditions.

In the case of air discharge testing, the climatic conditions shall be within the following ranges:

- ambient temperature: 15 °C to 35 °C;
- relative humidity: 30 % to 60 %;
- atmospheric pressure: 86 kPa (860 mbar) to 106 kPa (1 060 mbar).

NOTE Other values may be applicable for equipment used only in particular climatic environments.

8.1.3 Electromagnetic conditions

The electromagnetic conditions of the laboratory shall be such as to guarantee the correct operation of the EUT in order not to influence the test results.

8.2 EUT exercising

The test programs and software shall be chosen so as to exercise all normal modes of operation of the EUT. The use of special exercising software is encouraged, but permitted only where it can be shown that the EUT is being comprehensively exercised.

For conformance testing, the EUT shall be continually operated in its most sensitive mode (program cycle) which shall be determined by preliminary testing.

If monitoring equipment is required, it should be decoupled from the EUT in order to reduce the possibility of false indications.

8.3 Execution of the test

8.3.1 Discharges to the EUT

The testing shall be performed by direct and/or indirect application of discharges to the EUT according to a test plan. This should include:

- representative operating conditions of the EUT;
- whether the EUT should be tested as table-top or floor-standing;
- the points at which discharges are to be applied;
- at each point, whether contact or air discharges are to be applied;
- the test level to be applied;
- the number of discharges to be applied at each point for conformance testing;
- whether post-installation tests are also to be applied.

It may be necessary to carry out some investigatory testing to establish some aspects of the test plan.

NOTE 1 Refer to Annex E for examples of uncertainty budgets in case of necessity to provide measurement uncertainty.

NOTE 2 In case of variations in test results, Annex F proposes an escalation strategy of ESD to determine the sources of differences.

8.3.2 Direct application of discharges to the EUT

Unless stated otherwise in the generic, product-related or product-family standards, the electrostatic discharges shall be applied only to those points and surfaces of the EUT which are accessible to persons during normal use. The following exclusions apply (i.e. discharges are not applied to those items):

- a) those points and surfaces which are only accessible under maintenance. In this case, special ESD mitigation procedures shall be given in the accompanying documentation;

- b) those points and surfaces which are only accessible under service by the (end-)user. Examples of these rarely accessed points are as follows: battery contacts while changing batteries, a cassette in a telephone answering machine, etc.;
- c) those points and surfaces of equipment which are no longer accessible after fixed installation or after following the instructions for use, for example, the bottom and/or wall-side of equipment or areas behind fitted connectors;
- d) the contacts of coaxial and multi-pin connectors which are provided with a metallic connector shell. In this case, contact discharges shall only be applied to the metallic shell of these connectors.

Contacts within a non-conductive (for example, plastic) connector and which are accessible shall be tested by the air-discharge test only. This test shall be carried out by using the rounded tip finger on the ESD generator.

In general, six cases shall be considered:

Table 4 – Cases for application of ESD on connectors

Case	Connector shell	Cover material	Air discharge to:	Contact discharge to:
1	Metallic	None	–	Shell
2	Metallic	Insulated	Cover	Shell when accessible
3	Metallic	Metallic	–	Shell and cover
4	Insulated	None	^a	–
5	Insulated	Insulated	Cover	–
6	Insulated	Metallic	–	Cover

NOTE In case a cover is applied to provide (ESD) shielding to the connector pins, the cover or the equipment near to the connector to which the cover is applied should be labelled with an ESD warning.

^a If the product (family) standard requires testing to individual pins of an insulated connector, air discharges shall apply.

- e) those contacts of connectors or other accessible parts that are ESD sensitive because of functional reasons and are provided with an ESD warning label, for example, r.f. inputs from measurement, receiving or other communication functions.

Rationale: Many connector ports are designed to handle high-frequency information, either analogue or digital, and therefore cannot be provided with sufficient overvoltage protection devices. In the case of analogue signals, bandpass filters may be a solution. Overvoltage protecting diodes have too much stray capacitance to be useful at the frequencies at which the EUT is designed to operate.

In all the previous cases, the accompanying documentation should give special ESD mitigation procedures.

The final test level should not exceed the product specification value in order to avoid damage to the equipment.

The test shall be performed with single discharges. On each pre-selected point at least 10 single discharges (in the most sensitive polarity) shall be applied.

NOTE 1 The minimum number of discharges applied is depending on the EUT; for products with synchronized circuits the number of discharges should be larger.

For the time interval between successive single discharges an initial value of 1 s is recommended. Longer intervals may be necessary to determine whether a system failure has occurred.

NOTE 2 The points to which the discharges should be applied may be selected by means of an exploration carried out at a repetition rate of 20 discharges per second, or more.

The ESD generator shall be held perpendicular, whenever possible, to the surface to which the discharge is applied. This improves repeatability of the test results. If the ESD generator cannot be held perpendicular to the surface, the test condition used to perform the discharges shall be recorded in the test report.

The discharge return cable of the generator shall be kept at a distance of at least 0,2 m from the EUT whilst the discharge is being applied and should not be held by the operator.

In the case of contact discharges, the tip of the discharge electrode shall touch the EUT, before the discharge switch is operated.

In the case of painted surfaces covering a conducting substrate, the following procedure shall be adopted:

If the coating is not declared to be an insulating coating by the equipment manufacturer, then the pointed tip of the generator shall penetrate the coating so as to make contact with the conducting substrate. Coating declared as insulating by the manufacturer shall only be submitted to the air discharge. The contact discharge test shall not be applied to such surfaces.

In the case of air discharges, the ESD generator shall approach the EUT as fast as possible until contact between the electrode and the EUT is made (without causing mechanical damage). After each discharge, the ESD generator (discharge electrode) shall be removed from the EUT. The generator is then retriggered for a new single discharge. This procedure shall be repeated until the discharges are completed. In the case of an air discharge test, the discharge switch, which is used for contact discharge, shall be closed.

8.3.3 Indirect application of the discharge

8.3.3.1 Discharges to objects near the EUT

Discharges to objects placed or installed near the EUT shall be simulated by applying the discharges of the ESD generator to a coupling plane, in the contact discharge mode.

In addition to the test procedure described in 8.3.2, the requirements given in 8.3.3.2 and 8.3.3.3 shall be met.

8.3.3.2 Horizontal coupling plane (HCP) under the EUT

Discharge to the HCP shall be made horizontally to the edge of the HCP.

At least 10 single discharges (in the most sensitive polarity) shall be applied at the front edge of each HCP opposite the centre point of each unit (if applicable) of the EUT and 0,1 m from the front of the EUT. The long axis of the discharge electrode shall be in the plane of the HCP and perpendicular to its front edge during the discharge.

The discharge electrode shall be in contact with the edge of the HCP before the discharge switch is operated (see Figure 4).

Product standards may require that all sides of the EUT are exposed to this test.

8.3.3.3 Vertical coupling plane (VCP)

At least 10 single discharges (in the most sensitive polarity) shall be applied to the centre of one vertical edge of the coupling plane (Figures 4 and 5). The coupling plane, of dimensions 0,5 m × 0,5 m, is placed parallel to, and positioned at a distance of 0,1 m from, the EUT.

Discharges shall be applied to the coupling plane, with sufficient different positions such that the four faces of the EUT are completely illuminated. One VCP position is considered to illuminate 0,5 m × 0,5 m area of the EUT surface.

9 Evaluation of test results

The test results shall be classified in terms of the loss of function or degradation of performance of the equipment under test, relative to a performance level defined by its manufacturer or the requestor of the test, or agreed between the manufacturer and the purchaser of the product. The recommended classification is as follows:

- a) normal performance within limits specified by the manufacturer, requestor or purchaser;
- b) temporary loss of function or degradation of performance which ceases after the disturbance ceases, and from which the equipment under test recovers its normal performance, without operator intervention;
- c) temporary loss of function or degradation of performance, the correction of which requires operator intervention;
- d) loss of function or degradation of performance which is not recoverable, owing to damage to hardware or software, or loss of data.

The manufacturer's specification may define effects on the EUT which may be considered insignificant, and therefore acceptable.

This classification may be used as a guide in formulating performance criteria, by committees responsible for generic, product and product-family standards, or as a framework for the agreement on performance criteria between the manufacturer and the purchaser, for example where no suitable generic, product or product-family standard exists.

10 Test report

The test report shall contain all the information necessary to reproduce the test. In particular, the following shall be recorded:

- the items specified in the test plan required by Clause 8 of this standard;
- identification of the EUT and any associated equipment, for example, brand name, product type, serial number;
- identification of the test equipment, for example, brand name, product type, serial number;
- any special environmental conditions in which the test was performed, for example, shielded enclosure;
- any specific conditions necessary to enable the test to be performed;
- performance level defined by the manufacturer, requestor or purchaser;
- performance criterion specified in the generic, product or product-family standard;
- any effects on the EUT observed during or after the application of the test disturbance, and the duration for which these effects persist;
- the rationale for the pass/fail decision (based on the performance criterion specified in the generic, product or product-family standard, or agreed between the manufacturer and the purchaser);
- any specific conditions of use, for example cable length or type, shielding or grounding, or EUT operating conditions, which are required to achieve compliance;
- climatic conditions;
- drawing and/or pictures of the test setup and EUT arrangement.

Annex A (informative)

Explanatory notes

A.1 General considerations

The problem of protecting equipment against the discharge of static electricity has gained considerable importance for manufacturers and users.

The extensive use of microelectronic components has emphasized the need to define the aspects of the problem and to seek a solution in order to enhance products/system reliability.

The problem of static electricity accumulation and subsequent discharges becomes more relevant for uncontrolled environments and the widespread application of equipment and systems.

Equipment may also be subjected to electromagnetic energies whenever discharges occur from personnel to nearby objects. Additionally, discharges can occur between metal objects, such as chairs and tables, in the proximity of equipment. It is considered that the tests described in this standard adequately simulate the effects of the latter phenomenon.

The effects of the operator discharge can be a simple malfunction of the equipment or damage of electronic components. The dominant effects can be attributed to the parameters of the discharge current (rise time, duration, etc.).

The knowledge of the problem and the necessity to have a tool to assist in the prevention of undesirable effects due to the discharge of static electricity on equipment, have initiated the development of the standard testing procedure described in this standard.

A.2 Influences of the environmental conditions on the levels of charge

The generation of electrostatic charges is especially favored by the combination of synthetic fabrics and dry atmosphere. There are many possible variations in the charging process. A common situation is one in which an operator walks over a carpet and at each step loses or gains electrons from his body to the fabric. Friction between the operator's clothing and his chair can also produce an exchange of charges. The operator's body may be charged either directly or by electrostatic inductions; in the latter case a conducting carpet will give no protection unless the operator is adequately earthed to it.

The graphic representation of Figure A.1 shows the voltage values to which different fabrics may be charged depending on the relative humidity of the atmosphere.

Equipment may be directly subjected to discharges of voltage values up to several kilovolts, depending on the type of synthetic fabric and the relative humidity of the environment.

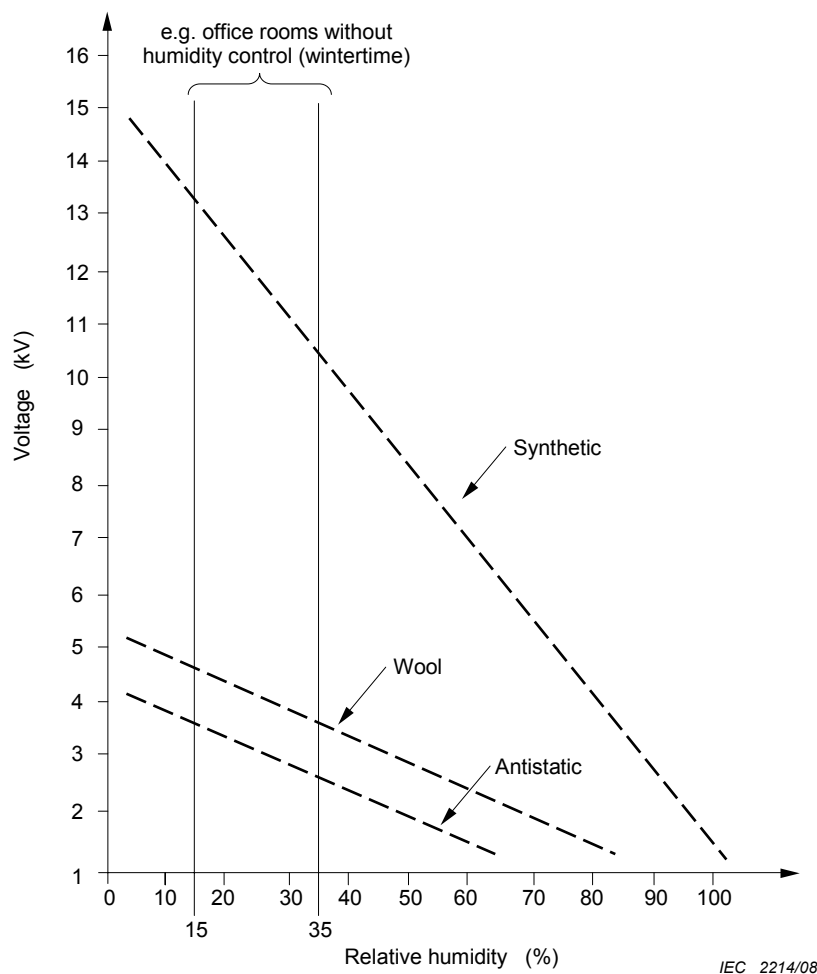


Figure A.1 – Maximum values of electrostatic voltages to which operators may be charged while in contact with the materials mentioned in Clause A.2

A.3 Relationship of environmental conditions to discharge current

As a measurable quantity, static voltage levels found in user environments have been applied to define immunity requirements. However, it has been shown that energy transfer is a function of the discharge current rather than, as well as, of the electrostatic voltage existing prior to the discharge. Further, it has been found that the discharge current typically is less than proportional to the pre-discharge voltage in the higher level ranges.

Possible reasons for non-proportional relationship between pre-discharge voltage and discharge current are:

- The discharge of high-voltage charges typically should occur through a long arcing path which increases the rise time, hence keeping the higher spectral components of the discharge current less than proportional to the pre-discharge voltage.
- High charge voltage levels will more likely develop across a small capacitance, assuming the amount of charge should be constant for a typical charge generation event. Conversely, high charge voltages across a large capacitance would need a number of successive generation events which is less likely to occur. This means that the charge energy tends to become constant between the higher charge voltages found in the user environment.

As a conclusion from the above, the immunity requirements for a given user environment need to be defined in terms of discharge current amplitudes.

Having recognized this concept, the design of the tester is eased. Trade-off in the choice of tester charge voltage and discharge impedance can be applied to achieve desired discharge current amplitudes.

A.4 Selection of test levels

The test levels should be selected in accordance with the most realistic installation and environmental conditions; a guideline is given in Table A.1.

Table A.1 – Guideline for the selection of the test levels

Class	Relative humidity as low as	Antistatic material	Synthetic material	Maximum voltage
	%			kV
1	35	x		2
2	10	x		4
3	50		x	8
4	10		x	15

The installation and environmental classes recommended are related to the test levels outlined in Clause 5 of this standard.

For some materials, for example wood, concrete and ceramic, the probable level is not greater than level 2.

It is important, when considering the selection of an appropriate test level for a particular environment, to understand the critical parameters of the ESD effect.

The most critical parameter is perhaps the rate of change of discharge current which may be obtained through a variety of combinations of charging voltage, peak discharge current and rise time.

For example, the required ESD stress for the 15 kV synthetic material environment is more than adequately covered by the 8 kV/30 A Class 4 test using the ESD generator contact discharge defined in this standard.

However, in a very dry environment with synthetic materials, higher voltages than 15 kV occur.

In the case of testing equipment with insulating surfaces, the air discharge method with voltages up to 15 kV may be used.

A.5 Selection of test points

The test points to be considered may, for example, include the following locations as applicable:

- points on metallic sections of a cabinet which are electrically isolated from ground;
- any point in the control or keyboard area and any other point of man-machine communication, such as switches, knobs, buttons, indicators, LEDs, slots, grilles, connector hoods and other operator-accessible areas.

A.6 Technical rationale for the use of the contact discharge method

In general the reproducibility of the air discharge method is influenced by, for example, the speed of approach of the discharge tip, humidity, and construction of the ESD generator, leading to variations in pulse rise time and magnitude of the discharge current.

In air discharge ESD testers, the ESD event is simulated by discharging a charged capacitor through a discharge tip onto the EUT, the discharge tip forming a spark gap at the surface of the EUT.

The spark is a very complicated physical phenomenon. It has been shown that with a moving spark gap the resulting rise time (or rising slope) of the discharge current can vary from less than 1 ns and more than 20 ns, as the approach speed is varied.

Keeping the approach speed constant does not result in constant rise time. For some voltage/speed combinations, the rise time still fluctuates by a factor of up to 30.

NOTE At high voltages, the air discharge can occur in multiple successive discharges.

A triggering device which is commonly known to produce repeatable and fast rising discharge currents is the relay. The relay should have sufficient voltage capability and a single contact (to avoid double discharges in the rising part). For higher voltages, vacuum relays prove to be useful. Experience shows that by using a relay as the triggering device, not only the measured discharge pulse shape is much more repeatable in its rising part, but also the test results with real EUTs are more reproducible.

Consequently, the relay-driven ESD generator is a device that produces a specified current pulse (amplitude and rise time).

This current is related to the real ESD voltage, as described in Clause A.3.

A.7 Selection of elements for the ESD generator

A storage capacitance shall be used which is representative of the capacitance of the human body. A typical value of 150 pF has been determined suitable for this purpose.

A resistance of 330 Ω has been chosen to represent the source resistance of a human body holding a metallic object such as a key or tool. It has been shown that this metal discharge situation is sufficiently severe to represent all human discharges in the field.

A.8 Rationale related to the generator specification

A number of reasons have been postulated as being the cause of the reproducibility differences when applying the ESD test to actual EUTs. The test set up, calibration issues, etc. have been considered and proposals included in this publication.

Changes to the ESD generator specification have also been considered but no changes are proposed in this publication. The following is a summary of the rationale for this decision.

The two potential technical reasons, with respect to the generator specification, that have been raised as being the cause of reproducibility concerns are:

- the discharge current waveform of the generator after the first peak, i.e. between 2 ns and 60 ns;

- the E-field radiated by the generator when the electrostatic discharge is applied to the EUT.

The first reason was dealt with by the maintenance team and a tolerance of $\pm 35\%$ of the idealized form shown in Figure 2 was specified between 2 ns and 60 ns. During the development of this standard, this potential change to the discharge current specification was further modified to control the fall time of the first peak to $(2,5 \pm 1)$ ns at 60 % of the initial peak.

Round robin tests were conducted on different EUTs in three different laboratories with two types of generators, one type of generator being compliant with IEC 61000-4-2 Edition 1, the other type with the added specification as indicated above. Five different generators of each type were provided by five different manufacturers in this respect.

The results of the round robin tests of the modified ESD generator were in summary:

- there was a variation in the test level, at which the considered EUTs were affected, between different ESD generators;
- the modification of the discharge wave shape did appear to clean up the discharge current shapes in both the time and frequency domains;
- however, the new waveform did not lead to any significant improvement in the reproducibility of the test results on actual EUTs.

The second reason was considered, however, the resources required to undertake a further round robin series of tests would be significant with no guarantee that this parameter was the cause of reproducibility issues. Substantial technical study is needed to quantify the impacts from radiated fields on actual EUTs and to understand how to control the associated parameters that impact reproducibility of test results.

It was considered that the changes included in this publication would improve the reproducibility of the tests. Further investigation could be proposed for future editions of this standard in estimating the impact of E-field radiation on reproducibility.

Annex B (normative)

Calibration of the current measurement system and measurement of discharge current

B.1 Current target specification – input impedance

The coaxial current target used to measure the discharge current of ESD generators shall have an input impedance, measured between the inner electrode and ground, of no more than 2,1 Ω at d.c.

NOTE 1 The target is supposed to measure the ESD current into a perfect ground plane. To minimise error caused by the difference between a perfectly conducting plane and the input impedance of the target, a 2,1 Ω limit was set for the input impedance. But if the target's input impedance is too low, the output signal will be very small which may cause errors due to coupling into the cables and the oscilloscope. Furthermore, when a much lower resistance value is used, parasitic inductance becomes more severe.

NOTE 2 The input impedance and transfer impedance (Z_{sys} , Clause B.3) may be measured with high accuracy at d.c. or at low frequency.

B.2 Current target specification – insertion loss

B.2.1 Measurement chain

Instead of specifying the insertion loss of the coaxial current target, the insertion loss of the measurement chain consisting of the target, attenuator and cable is specified. This simplifies the measurement system characterisation, as only this chain and the oscilloscope need to be characterised, instead of each element individually.

The variation of the insertion loss of the target-attenuator-cable chain may not exceed:

$\pm 0,5$ dB, up to 1 GHz

$\pm 1,2$ dB, 1 to 4 GHz.

With respect to the nominal value S_{21} of the insertion loss:

$S_{21} = 20 \log [2Z_{\text{sys}} / (R_{\text{in}} + 50 \Omega)]$ dB, where R_{in} is the d.c. input impedance of the target-attenuator-cable chain, when loaded with 50 Ω .

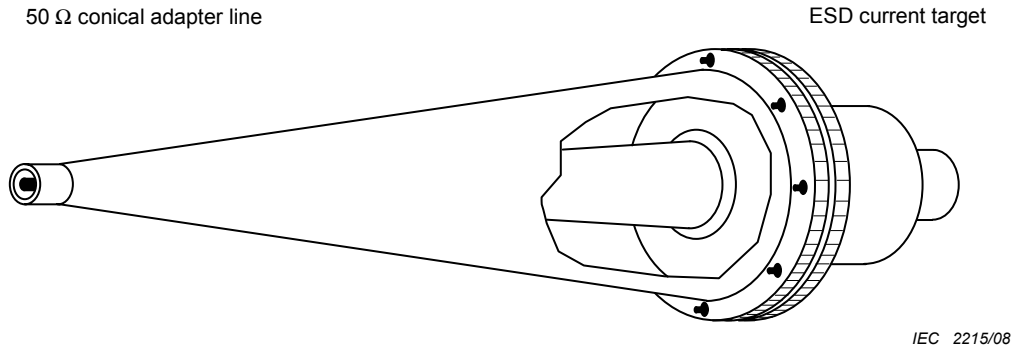
NOTE 1 Different calibration time intervals can be used for the d.c. transfer impedance and the more involved insertion loss measurements. If a repeated d.c. transfer impedance measurement shows a result which differs from the original measurement by less than 1 %, the user may assume the insertion loss of the target-attenuator-cable chain has not changed, providing the same cable and attenuator are used and no other indications (e.g., loose or damaged connectors) indicate otherwise.

NOTE 2 The target-attenuator-cable chain should always be considered as one entity. As soon as one element gets exchanged, or even when it gets disassembled and re-assembled, the whole chain needs re-calibration in order to insure compliance with the specification.

B.2.2 Target adapter line

The target adapter line shown in Figure B.1 connects a 50 Ω coaxial cable to the input of the ESD current target. Geometrically, it smoothly expands from the diameter of the coaxial cable to the target diameter. If the target is made such that the impedance calculated from the diameter ratio “ d ” to “ D ” (see Figure B.2) is not equal to 50 Ω , the target adapter line shall be made such that the outer diameter of its inner conductor equals the diameter of the inner

electrode of the current target. The impedance shall be calculated using the dielectric constant of the material that fills the conical adapter line (typically air). The target adapter line shall maintain $(50 \pm 1) \Omega$ within a 4 GHz bandwidth. The return loss of two target adapter lines placed face-to-face shall be better than 30 dB up to 1 GHz and better than 20 dB up to 4 GHz with a total insertion loss of less than 0,3 dB up to 4 GHz.



NOTE Other shapes than conical are acceptable.

Figure B.1 – Example of a target adapter line attached to current target

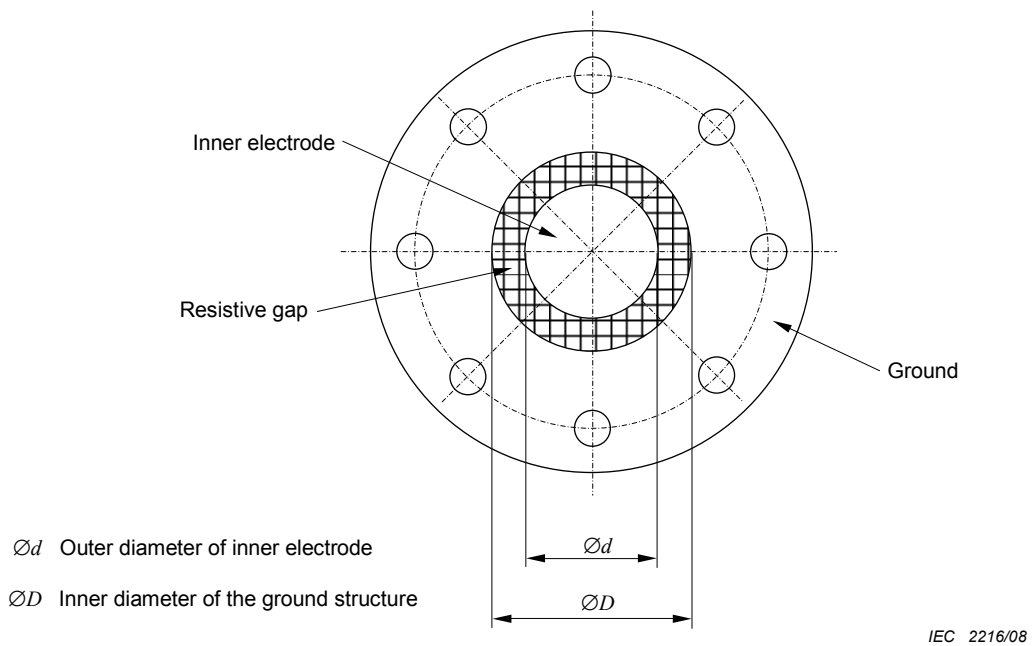


Figure B.2 – Example of a front side of a current target

B.2.3 Determining the insertion loss of a current target-attenuator-cable chain

The insertion loss of the chain is determined with a VECTOR network analyzer (VNA). Other systems to measure magnitude insertion loss may also be used provided that sufficient accuracy can be achieved.

The measurement procedure for the insertion loss is the following:

- Calibrate the network analyser at the calibration points shown in Figure B.3 (between attenuator and target and between attenuator and target adapter line).

NOTE 1 If no network analyser is used, the procedure needs to be modified accordingly.

NOTE 2 Instead of d.c. the lowest frequency available with the network analyser should be used. The d.c. characteristics are measured separately.

NOTE 3 The stability of the centre contact of two adapter lines or of adapter line and target should be verified through repeated measurements, disconnecting and reconnecting the devices using different centre line angles.

- Connect a target adapter line to the target-attenuator (≥ 20 dB)-cable chain and insert it as shown in Figure B.3.
- Measure the insertion loss.

The insertion loss variation shall meet the requirements given in Clause B.2.

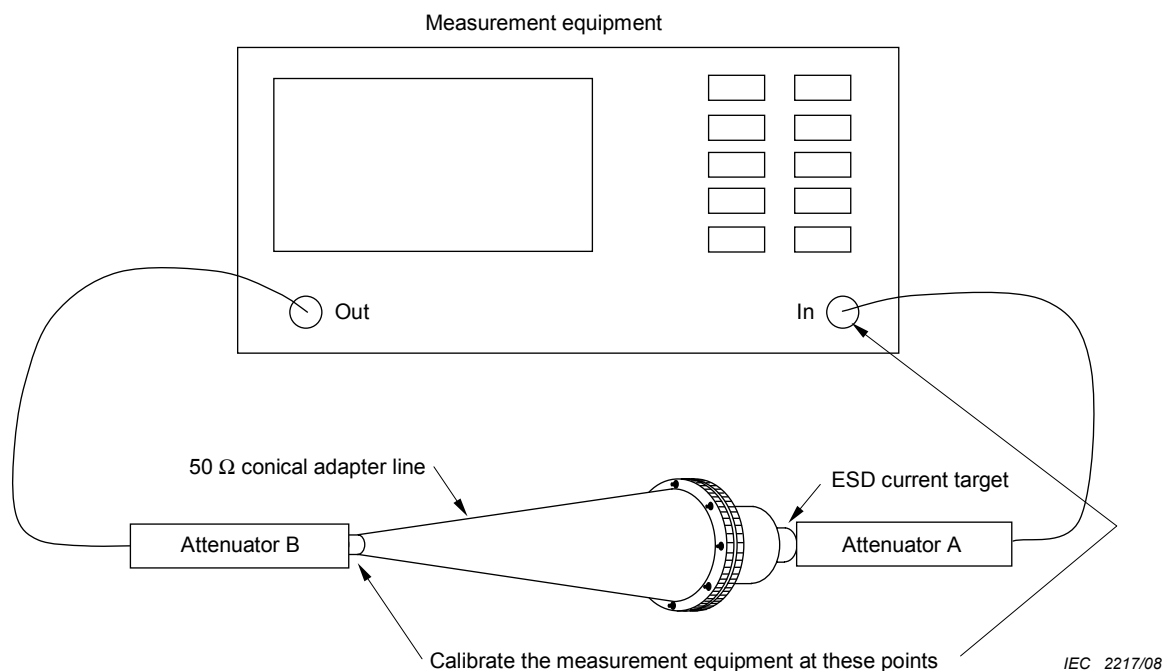
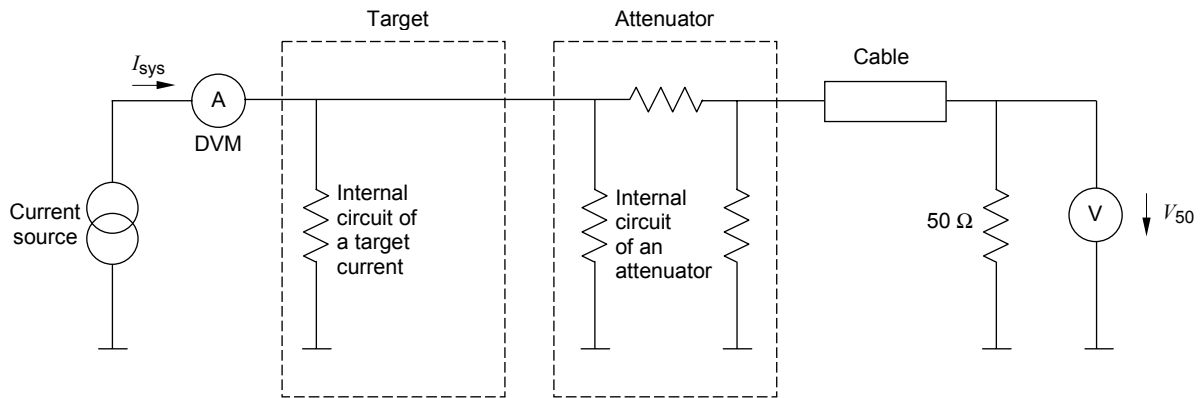


Figure B.3 – Example of measurement of the insertion loss of a current target-attenuator-cable chain

B.3 Determining the low-frequency transfer impedance of a target-attenuator-cable chain

The low-frequency transfer impedance of a target-attenuator-cable chain is defined as the ratio between the current injected to the input of the target and the voltage across a precision 50 Ω load at the output of the cable (i.e., which is placed at the end of the cable instead of the oscilloscope).

In an ESD measurement, an oscilloscope displays a voltage V_{osc} if a current I_{sys} is injected into the target. To calculate the unknown current from the displayed voltage, the voltage is divided by a low-frequency system transfer impedance Z_{sys} .



IEC 2218/08

Figure B.4 – Circuit diagram to determine the low-frequency system transfer impedance

NOTE 1 The internal circuit of the target shown is just an example. Other internal circuits are possible.

The low-frequency system transfer impedance of the target-attenuator-cable chain can be determined by:

- Injecting a current I_{sys} of approximately 1 A into the front side of the current target. The front side is the side to which discharges are made.
- Z_{sys} is the key quantity for the generator calibration. The 50 Ω load shall have a tolerance of maximum of ±1 %.
- Measuring the voltage V_{50} across the precision 50 Ω load.
- Calculating the transfer impedance by:

$$Z_{sys} = \frac{V_{50}}{I_{sys}}$$

NOTE 2 To verify that thermal voltages do not influence the result, the measurement can be done with positive and negative current. Both results should be within less than 0,5 % of each other.

Other methods to determine the transfer characteristics of the whole target-attenuator-cable chain may be used.

B.4 Calibration of ESD generator

B.4.1 Calibration result

Comparable calibration result of an ESD evaluation is extremely important. This is particularly the case when tests are to be conducted using ESD generators from different manufacturers, or when testing is expected to extend over a long period of time. It is essential that repeatability be a driving factor in the evaluation. The ESD generator shall be calibrated in certain defined time intervals with respect to a recognized quality assurance system.

NOTE The process in this annex is given for calibration purposes. A different procedure for verification of the generator before testing is mentioned in 6.3.

The calibration of the ESD generator shall be performed within the range of the climatic conditions as specified in 8.1.2.

B.4.2 Test equipment required for ESD generator calibration

The following equipment is required for calibrating ESD generators:

- oscilloscope with sufficient bandwidth (≥ 2 GHz analogue bandwidth);

- coaxial current target-attenuator-cable chain;
- high-voltage meter capable of measuring voltages of at least 15 kV. It may be necessary to use an electrostatic voltmeter to avoid loading the output voltage;
- vertical calibration plane with the coaxial current target mounted in such a way that there is at least 0,6 m from the target to any edge of the plane;
- attenuator(s) with sufficient power capability as needed.

NOTE An example of a suitable coaxial current target is given in Annex C.

B.4.3 Procedure for contact mode generator calibration

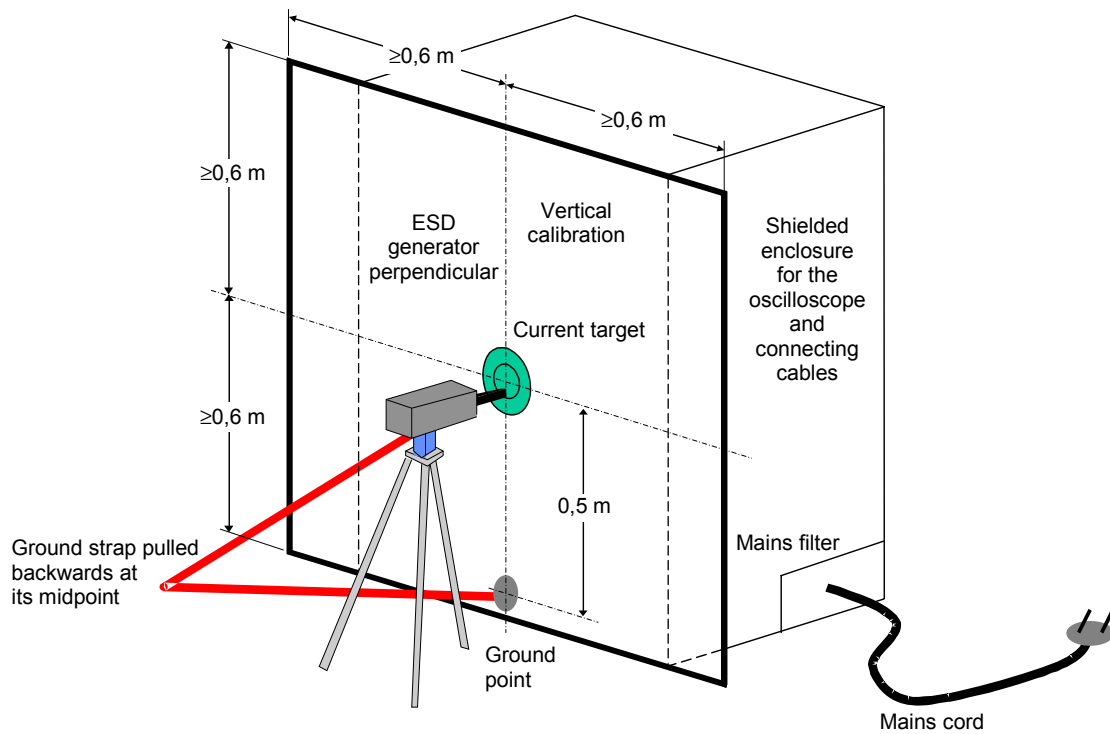
The current target shall be mounted at the centre of the vertical calibration plane meeting the requirements of B.4.2. The connection for the ESD generator return current cable (ground strap) shall be made at the bottom centre of the plane 0,5 m below the target. The ground strap shall be pulled backwards at the middle of the cable, forming an isosceles triangle. It is not allowed to let the ground strap lay on the floor during calibration.

Follow the steps given below to verify if the current waveform of an ESD generator is within specifications. Record the wave-shape and measure the following parameters:

- I_p peak value of the discharge current [A];
 I_{30} value of the current 30 ns after the peak current has reached 0,1 times I_p [A];
 I_{60} value of the current 60 ns after the peak current has reached 0,1 times I_p [A];
 t_r rise time of the current [ns].

Table B.1 – Contact discharge calibration procedure

Step	Explanation
Discharge the ESD generator at each test level as defined in Table 1 five times for both polarities, store each result.	The specifications shall be met for all 5 discharges.
Measure I_p , I_{30} , I_{60} , t_r on each waveform.	The parameters shall be checked at each test level
Current at 30 ns Check if I_{30} is 2 A \pm 30 %	The parameters shall be checked at each test level ^a
Current at 60 ns Check if I_{60} is 1 A \pm 30 %	The parameters shall be checked at each test level ^a
Peak current Check if I_p is 3,75 A \pm 15 %	The parameters shall be checked at each test level ^a
Rise time Check if t_r is 0,8 ns \pm 25 %	The parameters shall be checked at each test level
^a The value of the current given in this table corresponds to a voltage of 1 kV. This measured value changes proportionally to the generator voltage.	



IEC 2219/08

NOTE 1 The generator should be installed on a tripod or equivalent non metal low loss support.

NOTE 2 The generator should be powered in the same way as it will be used during test.

NOTE 3 A reversed setup compared to Figure B.5 can also be used.

Figure B.5 – Typical arrangement for calibration of ESD generator performance

Shielding of the oscilloscope is not necessary if it can be proven by measurement that indirect coupling paths onto the measurement system do not influence the calibration results.

The calibration system can be declared sufficiently immune (i.e. no Faraday cage necessary) if no triggering of the oscilloscope results when:

- the oscilloscope trigger level is set to $\leq 10\%$ of the lowest test level, and,
- the ESD generator is discharged with the highest test level to the outer ring of the target (instead of to the inner ring).

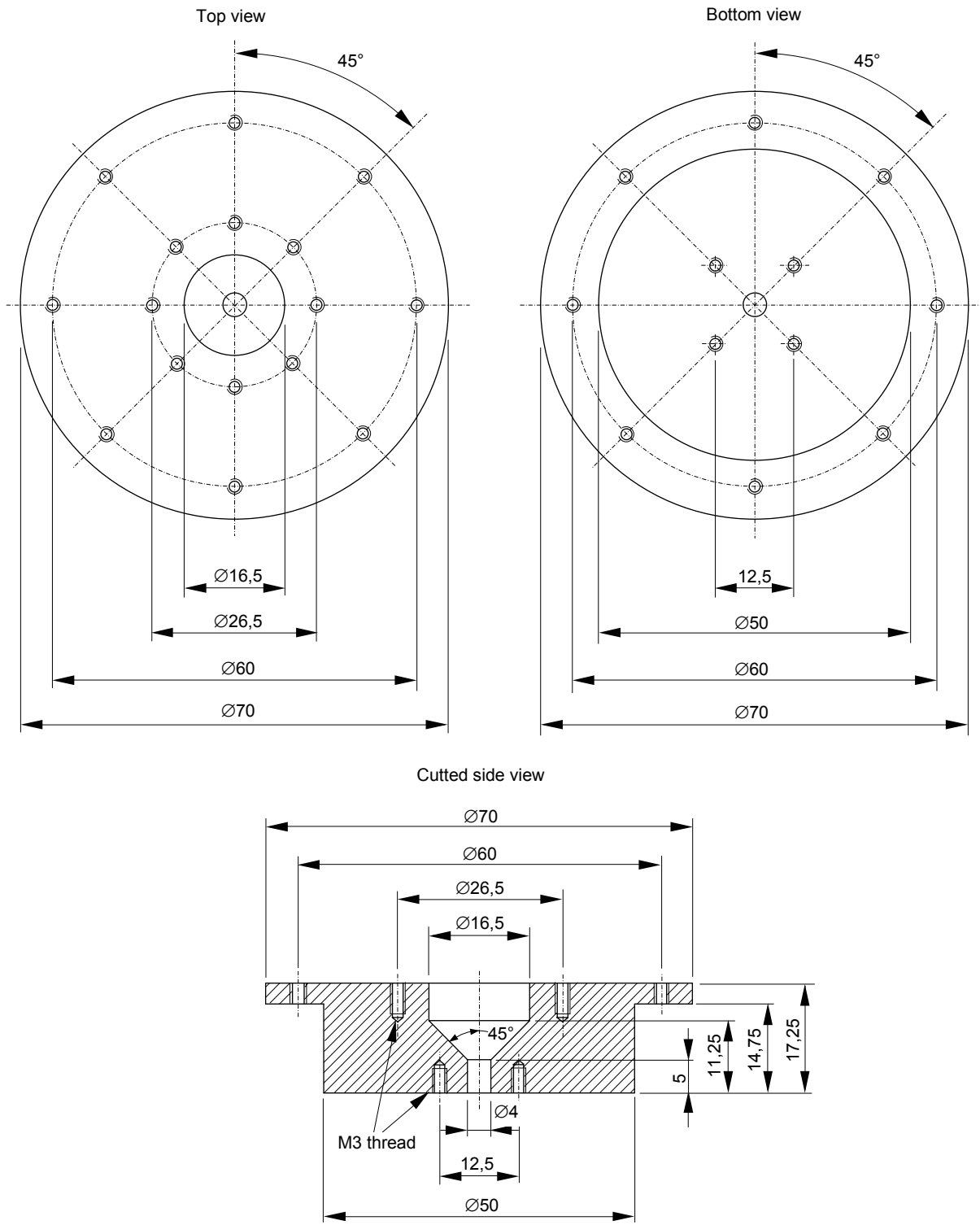
Annex C (informative)

Example of a calibration target meeting the requirements of Annex B

Figures C.1 to C.5 give construction details of a target which meets the requirements of Annex B. This target is designed to give a flat insertion loss if 1 m of RG 400 cable is used. It is suggested to connect a 20 dB or larger attenuator directly to the target's output port to avoid multiple reflections.

NOTE Figures C.1 to C.5 are examples; therefore no tolerances are specified.

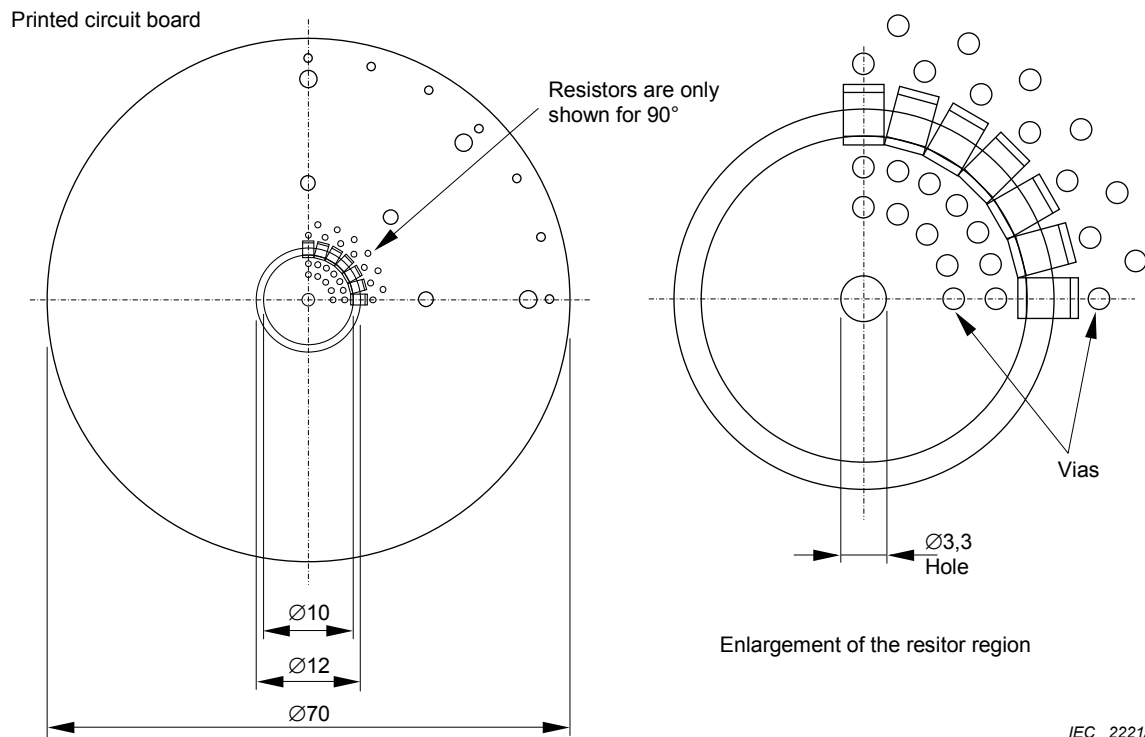
Central brass-part – Approximately 1:1



IEC 2220/08

Dimensions in millimetres

Figure C.1 – Mechanical drawing of a coaxial target (drawing 1 of 5)



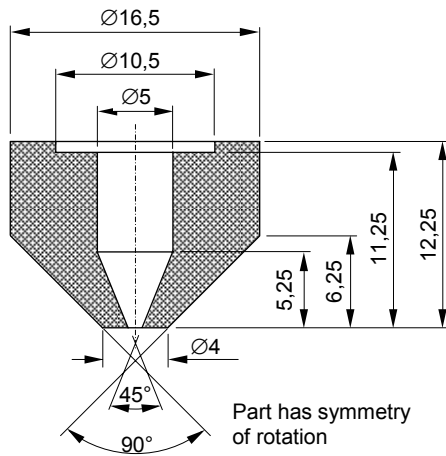
IEC 2221/08

*Dimensions in millimetres***Key**

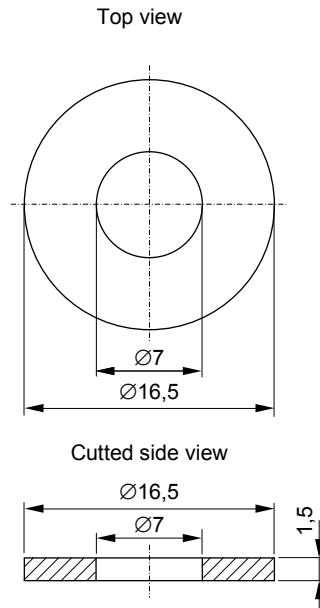
Resistor size	0805
Value	51 Ω
Placement	touching, exactly symmetric (use a template)
Material	0,5 mm FR-4, gold plated
Vias	two rings of vias on each side of the resistors plus one ring close to the outer edge of the printed circuit board. Approximately 25 resistors are needed

Figure C.2 – Mechanical drawing of a coaxial target (drawing 2 of 5)

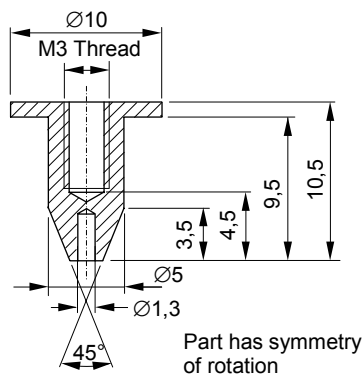
PTFE-part I – Approximately 2:1



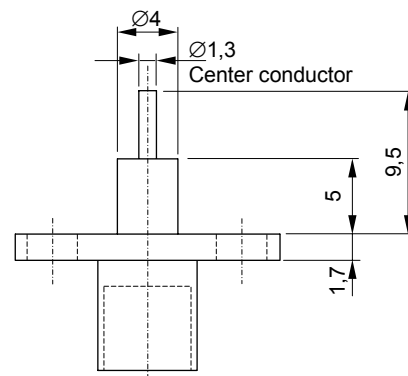
PTFE-part II – Approximately 2:1



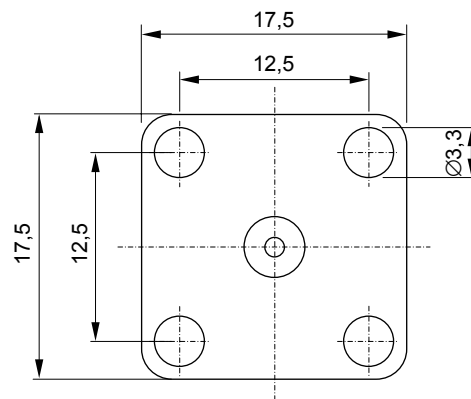
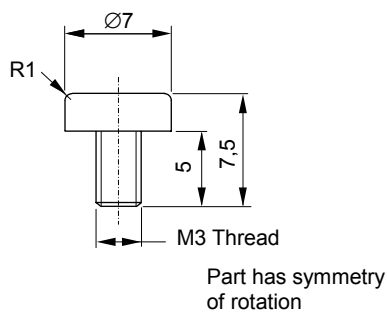
Center conductor brass – Approximately 2:1



SMA-connector – Approximately 2:1



**Top part of center conductor
Stainless steel – Approximately 2:1**



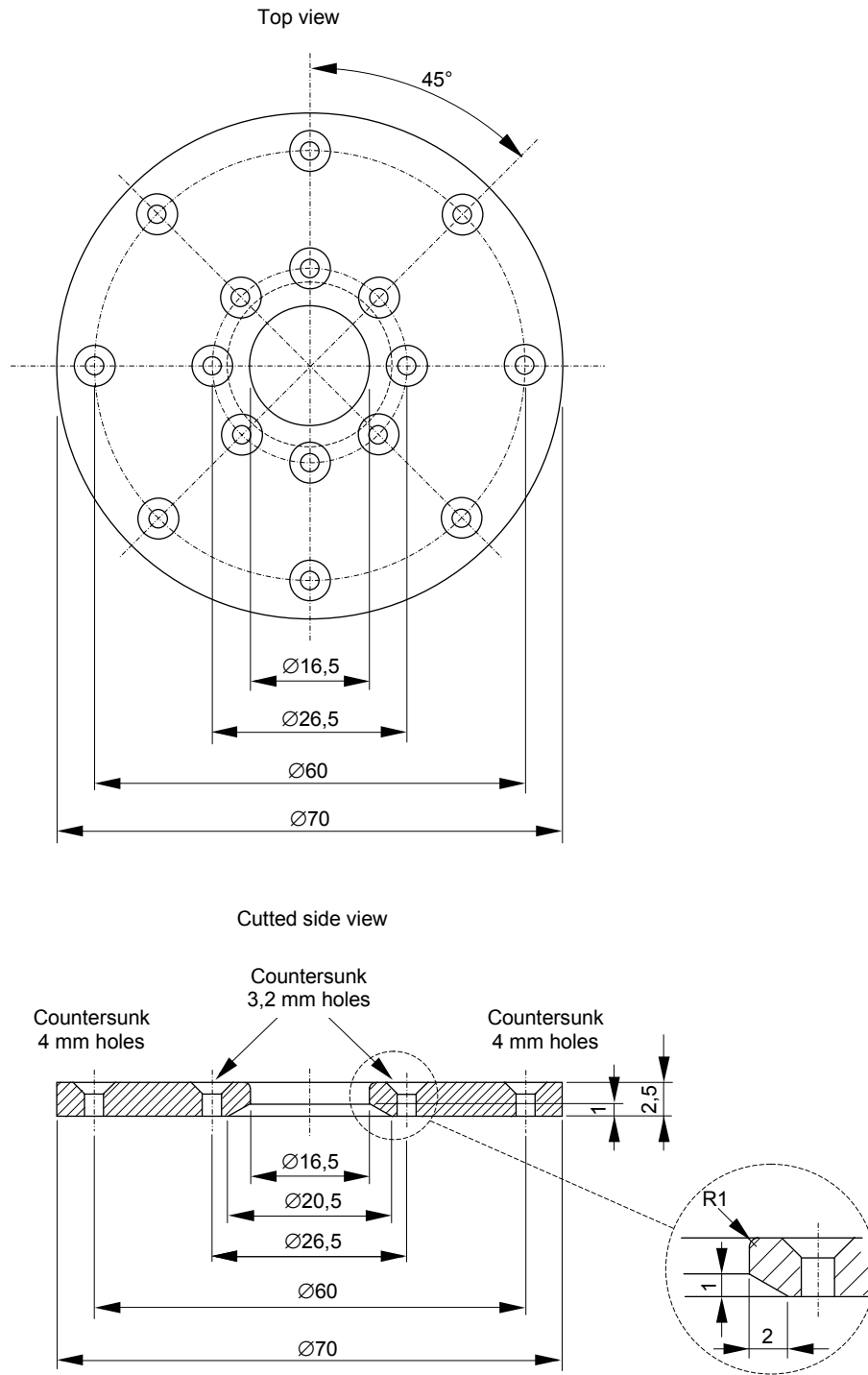
A similar N-type connector can be used instead

IEC 2222/08

Dimensions in millimetres

Figure C.3 – Mechanical drawing of a coaxial target (drawing 3 of 5)

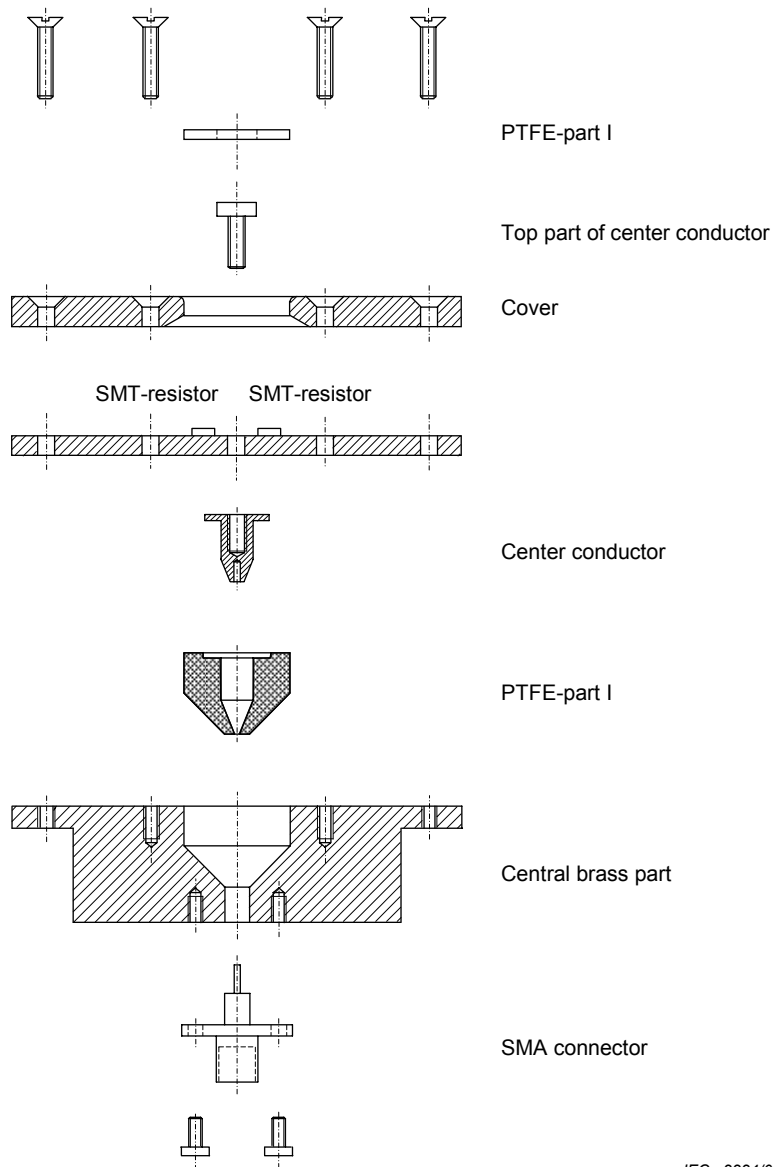
Cover: stainless steel – Approximately 1:1



IEC 2223/08

Dimensions in millimetres

Figure C.4 – Mechanical drawing of a coaxial target (drawing 4 of 5)



IEC 2224/08

Figure C.5 – Mechanical drawing of a coaxial target (drawing 5 of 5)

Annex D (informative)

Radiated fields from human metal discharge and ESD generators

D.1 Overview on the processes causing intended and unintended fields

D.1.1 General

The electrostatic discharge from a human (via a small, hand-held metal piece) is the basis for the current waveform specified in this standard and its predecessors. This discharge from a human as well as the discharge from an ESD generator, are responsible for generating associated strong electromagnetic fields.

The following subclauses first review the process of a human discharge, and then review the process as it occurs with an ESD generator.

D.1.2 Human ESD

For an ESD event from a human to an EUT, the following sequence of events will occur.

- a) As the hand-held metal piece approaches a metallic surface of an EUT and prior to the discharge of current, an electrostatic field exists. There is no (or only very little) current flowing and no relevant magnetic field is present.
- b) Once the discharge is initiated between the hand-held metal part and the EUT, the electrostatic field collapses within the gap between the two. Starting from its initial value it collapses to a voltage across the gap of about 25 V to 40 V within 50 ps to 5 ns. The collapse time is depending on arc parameters, voltage, etc. The initial collapse of the electric field is the first step in a series of events that causes strong transient electromagnetic fields.
- c) A current starts flowing on the metal part held by the human and on the EUT. The foremost current front expands with the velocity of light and within about 0,8 ns, it has reached the arm of the person. As the current continues to expand further on the EUT and the arm, it will experience reflections and losses due to radiation and resistance, leading to a complex pattern of current density on both the EUT and the person.
- d) As the discharge process continues, the highest frequency components of the current will be attenuated quickly, mainly due to radiation. The current then becomes smoother (i.e. with less high-frequency content) as time increases and finally the body reaches a new electrostatic equilibrium with the EUT. The remaining charge on the body, however, may not be zero, as the arc might extinguish before the body has completely discharged. If the hand and metal object continues to approach the EUT, a second discharge might occur at a lower voltage leading to a sequence of ESDs, each one at a lower voltage, and each one having a faster rise time (partially attributed to the lower voltage).
- e) During each discharge sequence, an observer located on some point of the hand, body or EUT will observe a charge density prior to the discharge, during the discharge phase a fast changing current and after the discharge a small remaining charge.
- f) From antenna theory it is known that changing charge densities and changing currents will cause radiated fields. In close proximity the fields are dominated by the current and the charge directly, and in larger distances the current and charge time derivative will determine the fields. The transition region between the close proximity fields (near field) and fields seen at a larger distance (far field) is more complex. Measurements and simulations have shown that transient fields of ESD, at least for the most disturbing first nanoseconds, will reach far field conditions at a distance of 10 cm from the arc.

- g) From the above it is clear that the current and charge time derivative are extremely important regarding upset (non destructive error) of electronic systems.
- h) *It is important to note* that in a human discharge, the current and charge derivatives are determined by the collapse time of the voltage in the arc. Thus, the current rise time at the discharge determines the high-frequency components.

From the above, it is clear that the transient fields of a human-metal ESD are an important part of the ESD process. An ideal ESD generator would reproduce them in some quantified fashion. The field strengths of human-metal ESD, etc., are well known.

D.1.3 ESD generator

The next step is to analyze and compare process that occurs in present ESD generators. As most ESD testing is performed in contact mode, for reasons of reproducibility, the following is limited to contact mode ESD generators.

- a) The discharge tip of the ESD generator is contacted to a grounded (in most cases) part of the EUT.
- b) Prior to the discharge, a capacitor is charged within the ESD generator. In many designs most of the electrostatic field resulting from the charging process is confined within the ESD generator. As a result, the electrostatic field in the vicinity prior to the discharge is much less than the electrostatic field one would measure at the same point from a human charged with the same voltage.
- c) The discharge is initiated by the closure of a relay internal to the ESD generator. The design of these special relays allows a very good reproducibility of the discharge current; however, because the relay is internal and not at the point at which the ESD generator touches the EUT, the initiation of discharge current flow is quite different from a human discharge.
- d) The voltage collapse times within the relay are very fast, certainly less than 100 ps, which leads to a current wave travelling away from the relay in all directions and on all contacting metal parts and other metal parts in proximity. The current wave will propagate at the velocity of light (in dielectrics at reduced speed). The rise time of this current wave equals the voltage collapse time.
- e) The voltage collapse time is less than 100 ps, but this standard requires a current rise time of $(0,8 \pm 0,2)$ ns measured at the point of contact to the target. To achieve this, measures are designed into the ESD generators that increase the rise time from the very low value within the relay to the standardized values at the discharge tip.
- f) The transient fields are caused by *all* current time derivatives and charge density time derivatives. An important difference between the discharge from a generator and that from a human with metal must be noted: For a human discharge the current rise time at the arc is the fastest process and it determines the spectrum of the transient fields. However, with an ESD generator in contact mode the high-frequency spectrum is determined by the voltage collapse of the relay, not by the current rise time at the discharge tip.
- g) Since all the changing currents in the generator cause transient fields, there is a contribution of the 100 ps rising currents in the relay to the transient fields from an ESD generator, as well as the contribution from the $(0,8 \pm 0,2)$ ns rising currents at the point of discharge. The transient fields caused by the faster events in the generator are in general unwanted transient fields since they increase the high-frequency content of these radiated fields beyond those developed from an equivalent human-metal discharge having the same current rise time and peak value at the point of discharge.

From the above it can be seen that the strength of the contribution of the fast rising currents to the transient fields is strongly dependent on the design of the ESD generator. This field contribution might be well suppressed, or it might dominate the transient fields in any given generator. Unfortunately, these contributions are not regulated in this standard resulting in the possibility that upset events during ESD testing can be highly dependant on the specific generator being used.

D.2 EUT reaction to ESD testing

During an ESD test the response of an EUT to a broad range of electrical disturbances is tested. The range includes: Voltage for dielectric breakdown, secondary breakdown at a gap away from the injection point, current for RI drop, magnetic field for Ldi/dt drop, magnetic fields for induced voltage, and electric fields for induced voltages (fields can be in both far fields and near fields). In this regard an ESD test differs from EMI testing by combining multiple tests into one.

Some examples of EUT failures due to different disturbances of the ESD test are:

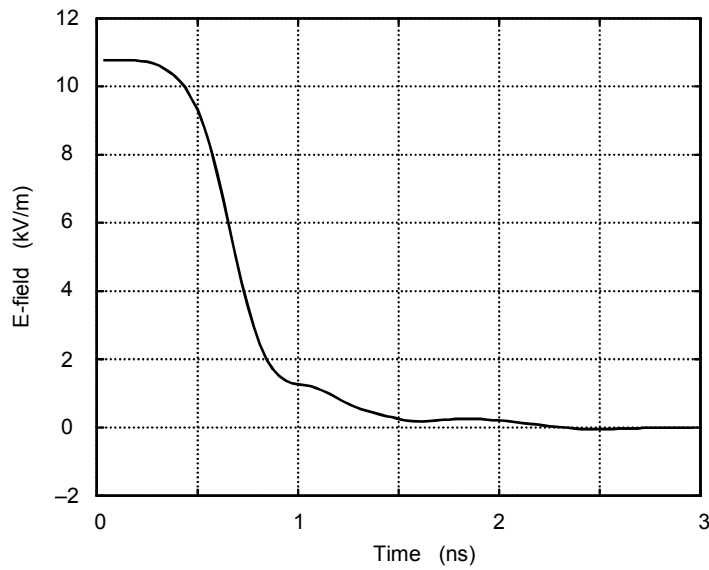
- discharge into a connector PIN causing damage to an IC;
In this example the *energy dissipated* in the IC, the maximum current or the charge transferred through the IC will most likely determine the damage threshold;
- discharge through a gap in a plastic enclosure allowing a spark to reach an IC;
In this case the ESD test determines the *dielectric breakdown* strength of the gap through the plastic seam.
- discharge to a chassis causing the system contained in the chassis to become upset.
In this example, it is most likely that the *transient fields* of the ESD event coupled into traces, wires or directly into ICs of the system, cause voltages or currents that will upset the logical function of the system.

The coupling mechanism from the current within the ESD generator to the fields is dominated by the current's time derivative, even at relatively moderate distances of e.g. 20 cm. Further, the coupling between the field and a wire, trace or IC in an EUT is a function of the rate of change of the electric and the magnetic field. In summary: The time derivatives involved both in the field creation and in the induction process contribute to the injected current, which leads to different pulse shapes for the current at the discharge tip and to different induced voltages in traces due to the fields. The induced voltages in traces typically have a width much more narrow than the initial ESD discharge current as defined in the standard, and they may exhibit ringing.

Due to the dependence of the transient fields on the design of the specific ESD generator (especially those field components with energy at frequencies above 300 MHz) one needs to expect that the induced currents on a trace, wire or within an IC are strongly affected by the specific design of the ESD generator. This could lead to large variation of test results (in most cases system upset, not destruction) if the same EUT is tested with different ESD generators and if the manufacturer of the ESD generator has not taken precautions to minimize the unwanted part of the electromagnetic fields that are caused by the fast voltage collapse within the relay. Note that these differences in test results only occur if the EUT is sensitive to high frequency fields, mainly >1 GHz.

D.3 Transient fields of ESD reference event

Transient fields of human metal ESD having rise times of about 850 ps at 5 kV charge voltage have been measured. An ideal ESD generator should reproduce these fields for 5 kV contact mode testing. To obtain the data, broadband (± 1 dB between 1,5 MHz and 1,5 GHz) field sensors have been placed on the vertical reference plane at a distance of 0,1 m from the discharge point, i.e. target position.

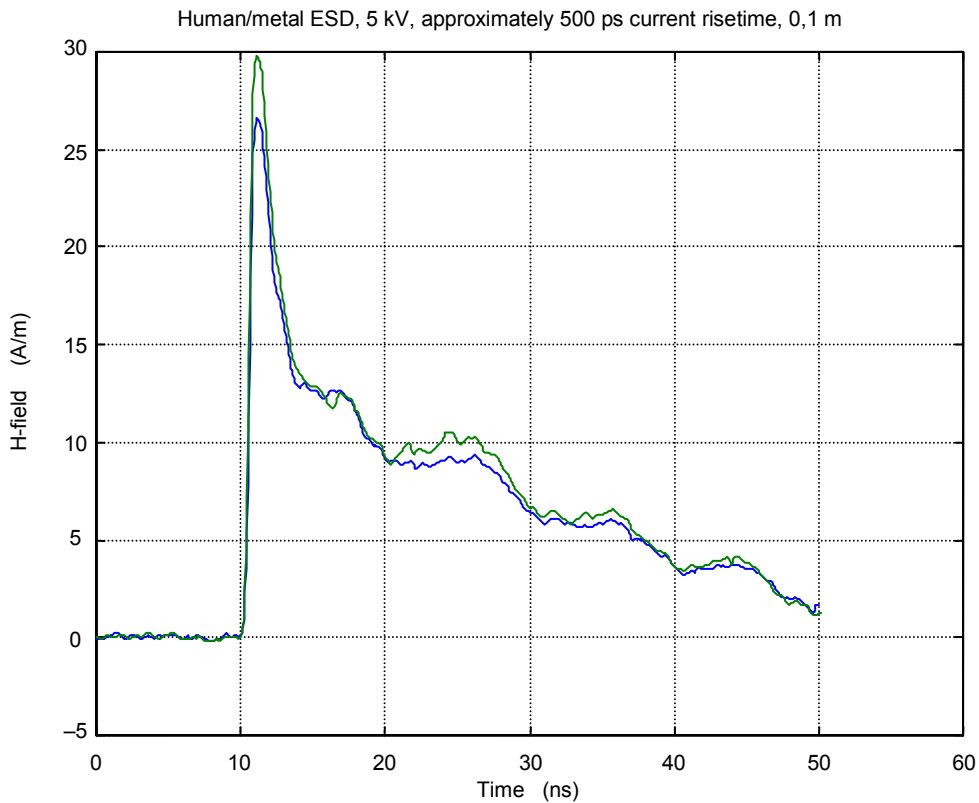


IEC 2225/08

Figure D.1 – Electric field of a real human, holding metal, charged at 5 kV measured at 0,1 m distance and for an arc length of 0,7 mm

The electrostatic field dominates the electric field. The field decreases from the electrostatic value to 20 % of its initial value in a fall time, which is similar to the current rise time.

An example of a magnetic field is shown in Figure D.2, based on a discharge current having a 500 ps rise time.



IEC 2226/08

Figure D.2 – Magnetic field of a real human, holding metal, charged at 5 kV, measured at 0,1 m distance and for an arc length of approximately 0,5 mm

The magnetic field waveform follows the current waveform.

A possible problem in field waveforms from ESD generators is ringing. Field values from the ESD generators may be far less or far greater than the human/metal field waveforms, depending in a large degree on the angle with which the ESD generator and the ground strap are oriented to the field sensor.

D.4 Induced voltage in a small loop

The transient fields of the ESD will induce voltages in traces on PC boards. If a small loop is placed on a ground plane, a measurement of the high-frequency content of the transient fields can be derived in a way that does not require calibrated broadband field sensors and that reflects the process of induction into a trace more directly than the field measurement. A test setup is shown in Figure D.3.

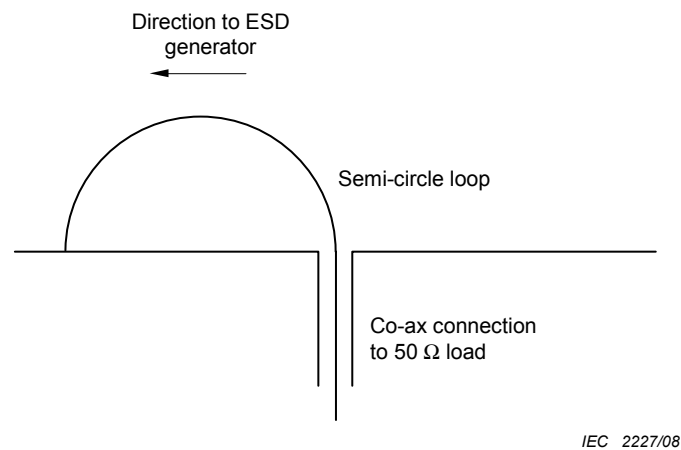


Figure D.3 – Semi-circle loop on the ground plane

In Figure D.3 the loop radius is 14 mm. The wire diameter is 0,7 mm. The loop is placed at a distance of 0,1 m from the ESD generator.

Typical induced voltages of human metal ESD at 5 kV having approximately 850 ps rise time are shown in Figure D.4.

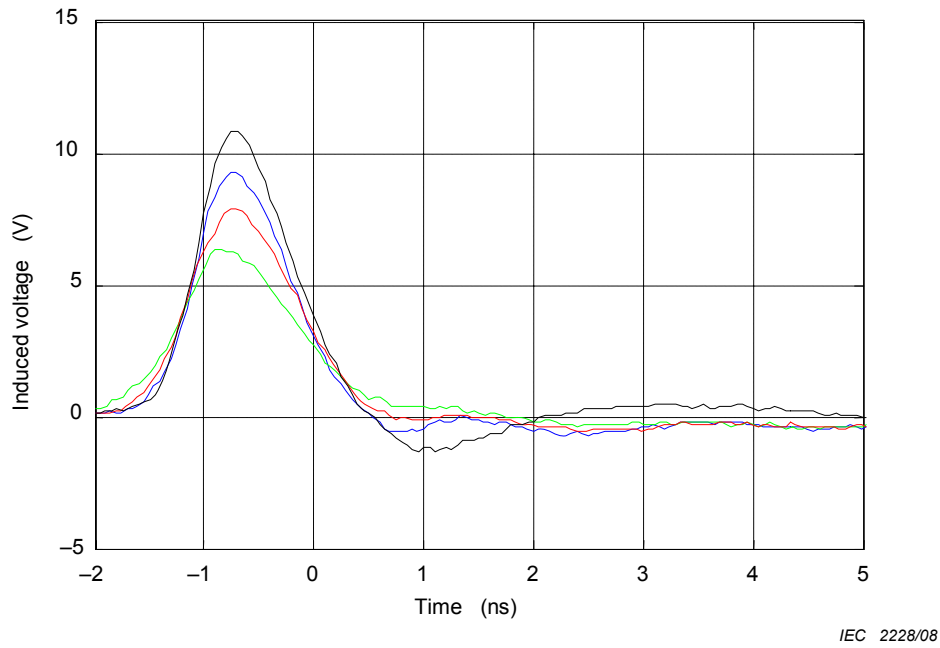
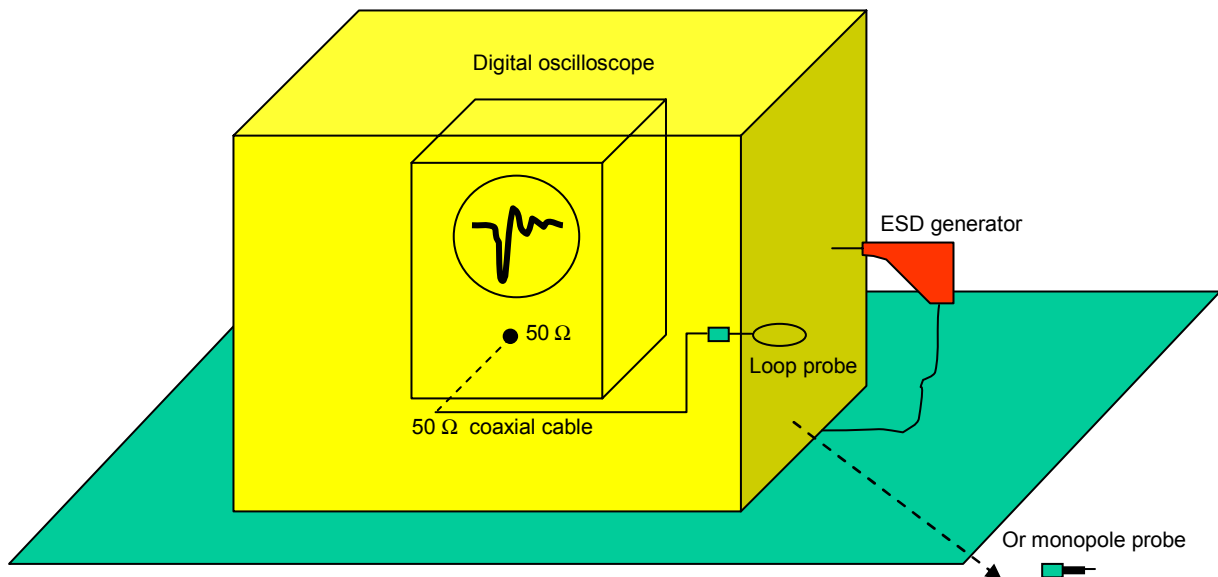


Figure D.4 – Voltages induced in a semi-loop

In Figure D.4, the loop radius of 14 mm is placed at a distance of 0,1 m for human-metal ESD (5 kV, rise time about 850 ps, arc length around 800 μm). The semi-loop is loaded with 50 Ω.

D.5 Measuring radiated fields due to an ESD by using commercial field probes and ESD generators

An example of a test setup to measure radiated ESD fields is shown in Figure D.5.



IEC 2229/08

Figure D.5 – Example of test setup to measure radiated ESD fields

To measure *E* and *H* fields, the following instruments should be used:

- memory digital oscilloscope with bandwidth of at least 2 GHz;
- set of commercial H (small loop with shield for E rejection) and E field (small monopole) probes;
- 50 Ω coaxial cable;
- ESD generator.

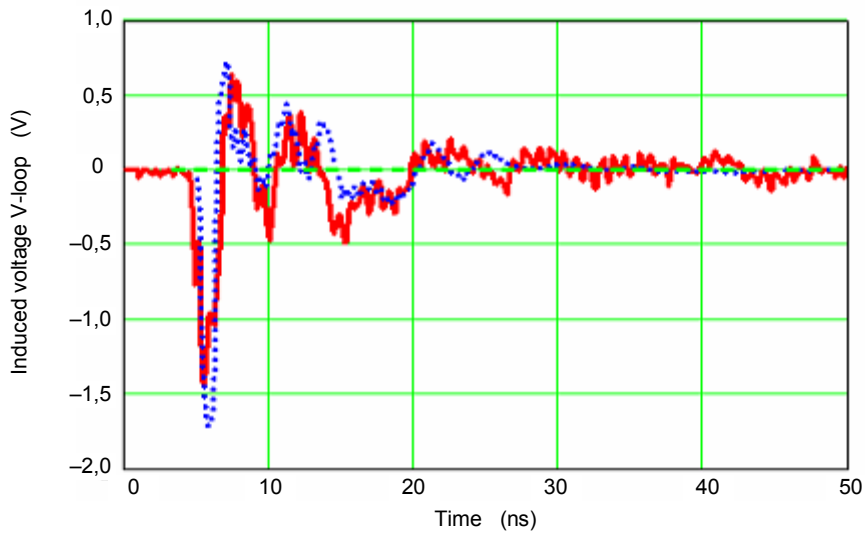
Measurement setup (see Figure D.5):

- The measurements should be carried out in a shielded room (not necessary if the environment does not produce significant interference).
- The ESD generator should be set to 5 kV.
- ESD discharge current should be measured according to the setup reported into the standard for comparison with the ESD reference mathematical waveform.
- The digital oscilloscope should be within a shielded enclosure.
- The field probes should be connected to the oscilloscope by a 50 Ω coaxial cable and positioned at the edge of the shielded box as indicated in Figure D.5.
- The coaxial cable should be positioned in a manner to prevent possible pickup of radiated fields (e.g. coaxial cable very close to the box and shield cable connected to the box).
- The voltage drop on the 50 Ω impedance of the oscilloscope will be measured. The ESD should be performed by contact mode on a large surface of the shielded enclosure.
- The ESD generator should be shift to measure the radiated fields at more than one distance from the probes.

E and H calculation from measured induced voltage into the probe load:

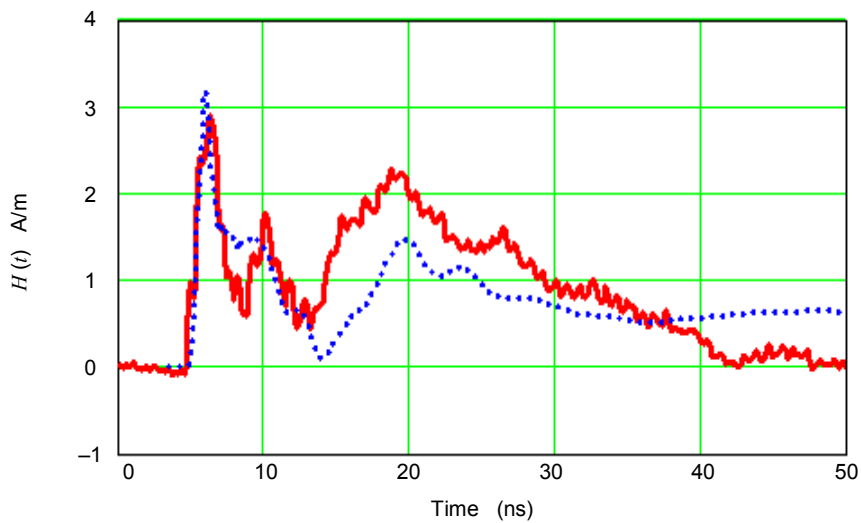
- Measure with a digital oscilloscope the voltage drop $v(t)$ on a load of 50 Ω due to radiated fields produced by ESD generator.
- Calculate $V(\omega)$ as the Fourier Transform (FT) of $v(t)$.
- Calculate or measure the transfer function $T(\omega)$ for the field probe used.
- Calculate $E(t)$ and $H(t)$ fields as Inverse Fourier Transform (IFT) of $V(\omega)/T(\omega)$.

Some results are given in Figures D.6 and D.7. The numerical simulation data is used to validate and vice-versa the procedure of calculating H field from measured voltage drop data into the loop.



IEC 2230/08

Figure D.6 – Comparison between measured (solid line) and calculated numerically (dot line) voltage drop on the loop for a distance of 45 cm



IEC 2231/08

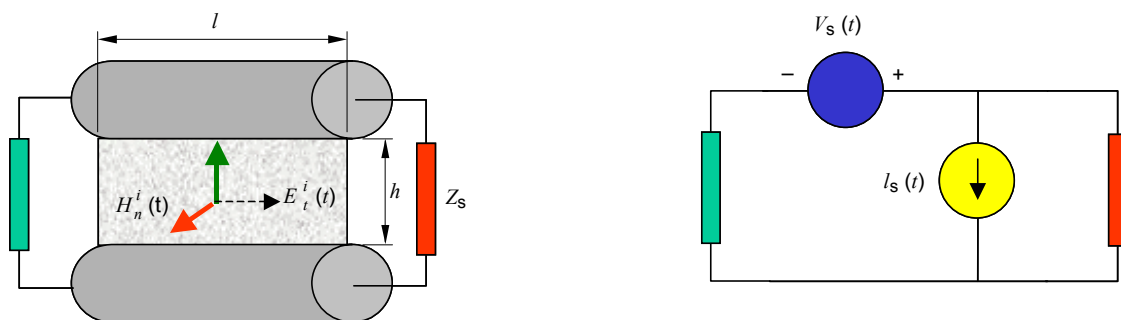
Figure D.7 – Comparison between calculated H field from measured data (solid line) and H field calculated by numerical simulation (dotted line) for a distance of 45 cm

D.6 Simple procedure to estimate radiated fields and voltages induced by ESD generators

The following procedure can be used to estimate fields radiated by ESD generators using measured ESD current:

- The standardized or measured ESD current is used at tip level.

- The victim circuit is considered electrically short and, in first approximation, the per unit line parameters can be neglected.
- Once the interfering fields are known in time domain, induced voltage can be computed by the equivalent circuit of Figure D.8.
- The contribution of E field can be neglected for circuits that have at least one low load impedance (e.g. high-speed digital devices).
- H field is calculated by the simple equation: $H = I/(2\pi r)$, where r is the distance between the tip current and the victim circuit. Other contributions such as current in ESD relay, displacement current, ground strap, etc., are neglected.
- Comparison between estimated (worst-case) and actual results obtained from a test-setup is provided to quantify the differences (e.g., see Figure D.9 for H field).



IEC 2232/08

Figure D.8 – Structure illuminated by radiated fields and equivalent circuit

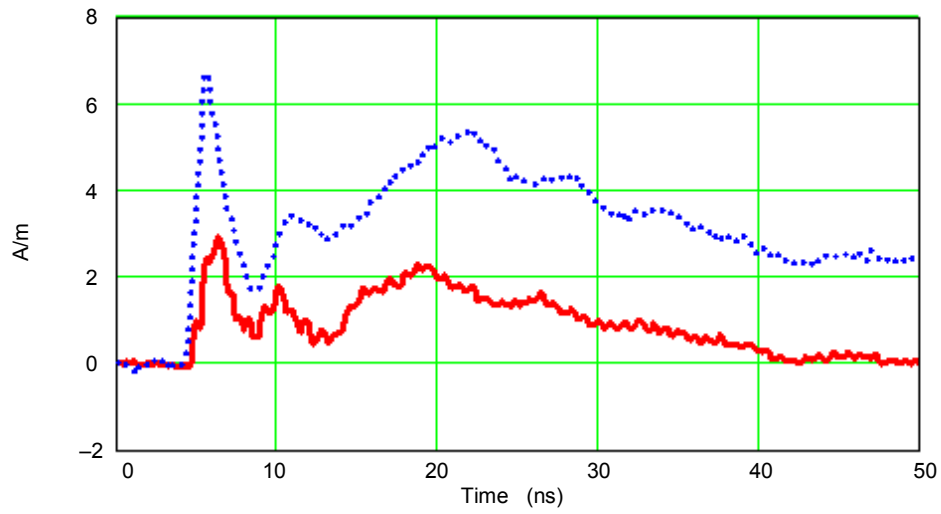
$$V_S(t) = \mu A \frac{\partial}{\partial t} H_n^i(t)$$

$$I_S(t) = C \times l \times h \frac{\partial}{\partial t} E_t^i(t)$$

where

$$A = l \times h \quad \text{Area of the loop}$$

$$C = \text{line capacitance / m}$$



IEC 2233/08

Key

Radiated H fields at a distance $r = 45$ cm

Solid line measured

Dotted line calculated using $I/(2\pi r)$

I is the measured ESD current

Figure D.9 – Radiated H fields

D.7 Reference document

S. Caniggia, F. Maradei, *Numerical Prediction and Measurement of ESD Radiated Fields by Free-Space Field Sensors*, IEEE Trans. on EMC, Vol.49, August 2007.

Annex E (informative)

Measurement uncertainty (MU) considerations

E.1 General

The repeatability of EMC testing relies on many factors or influences that affect the test result. These influences develop errors in order to generate disturbance quantity which may be categorized to random or systematic effects. The conformance of the realized disturbance quantity with the disturbance quantity defined in this standard is usually confirmed by a series of measurements (e.g. measurement of the rise time with an oscilloscope using attenuators). The result of each measurement is only an approximation to the value of the measurand and the measured quantity may differ from the true value by some amount due to MU. A critical element in determining MU is the uncertainty associated with calibration of test instrumentation.

In order to achieve a high reliability of calibration results, it is necessary to identify the sources of uncertainty involved in the measurement instrumentation and to make a statement of the uncertainty of the measurement.

E.2 Categories of uncertainty

Errors of measurement generally have two components; a random component (herein after referred to as type A) and a systematic component (herein after referred to as type B). Random uncertainty is associated with unpredictable effects. Systematic uncertainty is generally connected with the instrumentation used for the measurement. Systematic components can sometimes be corrected or reduced, but random components by definition cannot. Within a given measurement system there may be many effects which can influence either of these components.

It can happen that a random uncertainty of one test method can become a systematic uncertainty in another where the results of the first are applied. To avoid this possible confusion instead of systematic and random uncertainty the types of uncertainty contribution are grouped into two categories.

- Type A: those which are evaluated by statistical methods estimating their standard deviations for a series of tests. This generally follows a Normal or Gaussian type of distribution.

Distribution	Combined uncertainty	Comments
Normal or Gaussian	$U_C(y) = \sqrt{\frac{1}{(n-1)} \sum_{j=1}^n (u_j - \bar{u})^2}$	Typically sourced from verification records

- Type B: those which are evaluated by other means. They are usually associated with effects such as mismatch, cable losses, and non-linear characteristics in instrumentation. In an analysis the magnitude and distribution of type B uncertainties can be estimated based upon calibration data, instrument manufacturer's specifications or simply by knowledge and experience.

The classification into type A and type B does not mean that there is any difference in the nature of the components, it is a separation based on the evaluation of their nature. Both types can have probability distributions and the uncertainty components resulting from either type may be quantified by standard deviations.

E.3 Limitations

The following limitations and conditions apply to the considerations in this text.

- The uncertainty budget is limited to the uncertainty due to the measurement instrumentation (type B uncertainty). This does not, however, imply that a laboratory should ignore the influence of type A uncertainties, but that these should be separately assessed by individual test laboratories to obtain a more complete picture of their MU.
- All contributions are assumed to be uncorrelated.
- A level of confidence of 95 % is regarded as acceptable.

NOTE An example of a type B uncertainty budget is given in Table E.1, E.2 and E.3.

E.4 Calculation of type B uncertainty

The standard uncertainty is calculated from the determined value by applying the divisor assigned to its probability distribution.

The divisors for the individual probability distributions considered in this document are:

Distribution	Divisor	Comments
Normal	Coverage factor, k	$k = 2$ for 95 % confidence Typically sourced from calibration certificates
Rectangular	$\sqrt{3}$	Typically sourced from manufacturer's data for the instrument
U-shaped	$\sqrt{2}$	Mismatch uncertainty Uncertainty contribution most likely to be at the limits

In all cases where the distribution of the uncertainty is unknown, the rectangular distribution is taken as the default model.

Calculating the combined standard uncertainty for any test involves combining the individual standard uncertainties. This is valid provided that all quantities are in the same units, are uncorrelated and combine by addition in a logarithmic scale (usually in dB). However, the units for ESD calibrations as well as measurements should be given in %; calculating it as

$$10^{\frac{(\text{unit_in_dB})}{20}} \times 100$$

The result of this calculation is a combined standard uncertainty, $u_c(y)$, where

$$u_c(y) = \sqrt{\sum_{i=1}^m u_i^2(y)}$$

with $u_i(y)$ defined as the individual standard uncertainty.

The Student's t -distribution gives coverage factors (i.e. multipliers) for the uncertainty, assuming that the output variable, y , follows a Normal distribution.

By multiplying $u_c(y)$ by a coverage factor (k) an expanded uncertainty, U_c , giving a greater confidence level can be achieved. The coverage factor is obtained by the degrees of freedom; calculated from the relation between type A and type B uncertainties.

E.5 Compilation of an uncertainty budget

An uncertainty budget is a list of the probable sources of error in a measurement with an estimation of their probability distribution.

The calculation of an uncertainty budget requires the following steps:

- a) specify the characteristic of the disturbance quantity (i.e. what is being generated by the instrumentation);
- b) identify the contributions to uncertainty and their value;
- c) define the probability distribution of each contribution;
- d) calculate the standard uncertainty $u(x_i)$ for each contribution;
- e) calculate the combined uncertainty $u_c(y)$, the coverage factor, k , and the expanded uncertainty, $U_c = u_c(y) \times k$;
- f) apply the expanded uncertainty;
- g) publication of the expanded uncertainty in quality documentation as necessary (It is not required for the test laboratory to publish these figures in test reports unless requested to do so).

Example of uncertainty budgets with identified contributors and associated values are given in Clause E.6. It should be noted that these are intended for guidance and a calibration- or test laboratory should identify the actual contributors and values for their particular test setup (i.e. the final budget may identify a minimum list of contributors that should be taken into account. A test lab will then need to identify additional contributors. This will provide better comparison of uncertainty between test labs).

E.6 Uncertainty contributors of ESD

Uncertainties for ESD calibration as well as for ESD tests cannot be handled in the same way as for emission- and other measurements since ESD tests do not have a numerical result, but will give a simple pass or fail as test result. During the ESD tests the disturbance quantity characterised by several parameters is applied to the EUT. One or more observable signals of the EUT are monitored or observed and compared against agreed criteria, from which the test result (pass/fail) is derived.

NOTE 1 For calibration, the word EUT is equal to: ESD generator under calibration.

NOTE 2 The phrase measurement instrumentation refers here to the instrumentation used for calibration.

A classical MU can, in principle, be applied to the measurement of the signals from the EUT. Since the process of measurement for the monitoring is EUT specific, a basic standard can not and should not deal with MU for the monitoring system (the observer), however, this may be performed.

Uncertainties can also be specified for the parameters of the disturbance quantity. As such, they describe the degree of agreement of the specified instrumentation with the specifications of this basic standard.

These uncertainties derived for particular measurement instrumentation do not describe the degree of agreement between the simulated electromagnetic phenomenon as defined in the basic standard and the real electromagnetic phenomena in the world outside the laboratory. Therefore, questions regarding the definitions of the disturbance quantity (e.g., ESD gun positioning to the target plane) are not relevant for the measurement instrumentation uncertainties.

Since the influence of the parameters of the disturbance quantity on the EUT is a priori unknown and in most cases the EUT shows non linear system behaviour, a single uncertainty

number cannot be defined for the disturbance quantity as overall uncertainty. Each of the parameters of the disturbance quantity should be accompanied with a specific uncertainty, which may yield to more than one uncertainty budget for the test.

NOTE 3 This annex focuses on the uncertainties for calibration as an example.

The following list shows contributors used to assess both the measuring instrumentation and test setup influences:

- reading of peak value;
- reading of 10 % level;
- reading of 90 % level;
- reading of time at 30 ns and 60 ns;
- low-frequency transfer impedance Z_{sys} ;
- static voltage;
- mismatch chain - oscilloscope;
- target-attenuator-cable chain;
- oscilloscope horizontal measurement contribution;
- oscilloscope vertical measurement contribution;
- measurement system repeatability (type A);
- ESD generator orientation (type A);
- ESD generator location (type A);
- variation in test setup (type A);
- calibration of target, oscilloscope, attenuator.

It shall be recognized that the contributions which apply for calibration and for test may not be the same. This leads to (slightly) different uncertainty budgets for each process.

Aspects such as ESD gun orientation are considered to be type A uncertainties and such uncertainties are not generally treated in this basic standard. An exception to this rule has been made to account for the measurement system repeatability for measurements as well as for calibrations.

E.7 Uncertainty of calibration results

It is recommended to produce independent uncertainty budgets for each calibration item; that is I_p , I_{30} , I_{60} , t_r . For an ESD test, the disturbance quantity is the discharge current from the ESD generator that is applied to the EUT. The calibration items of this disturbance quantity are I_p , I_{30} , I_{60} and t_r . As described in Clause E.6, an independent uncertainty budget should be calculated for each of these parameters.

Tables E.1, E.2 and E.3 give examples of calculated uncertainty budgets for these parameters. The tables include the contributors to the uncertainty budget that are considered most significant for these examples, the details (numerical values, type of distribution, etc.) of each contributor and the results of the calculations required for determining each uncertainty budget.

Table E.1 – Example of uncertainty budget for ESD rise time calibration

Contributor	Distribution	Value ps	$u_i(y)$ ps	$u_i(y)^2$ ps ²	Comment
Reading of peak value	Normal $k = 2$	50	25	625	Uncertainty of peak value 6,3 % (Table E.2) times measured rise time 800 ps
Reading of time by 90 % peak current	Rectangular Divisor = $\sqrt{3}$	25	14	196	20 GS/s oscilloscope sampling rate
Reading of time by 10 % peak current	Rectangular Divisor = $\sqrt{3}$	25	14	196	20 GS/s oscilloscope sampling rate
Total oscilloscope horizontal measurement contribution (NOTE 1)	Normal $k = 2$	36	18	324	From the calibration laboratory of the oscilloscope
Target-attenuator-cable chain	Normal $k = 2$	30	15	225	From the calibration laboratory of the oscilloscope (NOTE 2)
Repeatability	Normal Divisor = 1	45	45	2 025	Obtained from type A evaluation (NOTE 3)
			Sum	3 591	
Combined standard uncertainty u_c on rise time			Root	60 ps	
Expanded uncertainty U on rise time	Normal $k = 2$	120 ps (15 %)			Confidence level 95 %

NOTE 1 The total oscilloscope horizontal measurement contribution contains the uncertainty contributions of the oscilloscope horizontal resolution, interpolation resolution, time base resolution, frequency measurement, rise time correction, etc.

NOTE 2 The calibration certificate of the chain often contains only the frequency response of attenuation. Here it has been assumed, that also the uncertainty contribution to rise time measurement has been supplied by the calibration lab, therefore $k = 2$.

NOTE 3 The repeatability is normally taken from at least 5 consecutive measurements. This is a type A evaluation and the formula for the standard deviation $s(\bar{q})$ for a set of n repeated measurements is given by

$$s(\bar{q}) = \sqrt{\frac{1}{n(n-1)} \sum_{j=1}^n (q_j - \bar{q})^2}$$

with q_j : result of the j^{th} measurement and \bar{q} arithmetic mean of the results.

Table E.2 – Example of uncertainty budget for ESD peak current calibration

Contributor	Distribution	Value %	$u_i(y)$ %	$u_i(y)^2$ % ²	Comment
Total oscilloscope vertical measurement contribution (NOTE 1)	Normal $k = 2$	3,2	1,6	2,56	From calibration laboratory
Target-attenuator-cable chain	Normal $k = 2$	3,6	1,8	3,24	From calibration laboratory
Mismatch: chain to oscilloscope	U-shaped Divisor = $\sqrt{2}$	2	1,4	2	From calibration or specifications (NOTE 2)
Low-frequency transfer impedance	Normal $k = 2$	6×10^{-6}	3×10^{-6}	9×10^{-12}	Internal calibration (NOTE 3)
Repeatability	Divisor = 1	1,5	1,5	2,25	Obtained from type A evaluation (NOTE 4)
			Sum	10,05	
Combined standard uncertainty u_c on peak current			Root	3,17	
Expanded uncertainty U of peak current	$k = 2$	6,3 %			Confidence level 95 %

NOTE 1 The total oscilloscope vertical measurement contribution contains the contributions of oscilloscope vertical resolution, LF linearity, HF linearity, offset resolution, etc. The calibration has to cover the whole frequency range, i.e. $f \leq 2$ GHz. However, the flatness has not to be better than that of a first order filter with $f_c = 2$ GHz cut off: i.e. $A(f) \sim |1 + (f/f_c)^2|^{-1/2}$.

NOTE 2 The mismatch contribution is due to the output reflection factor Γ_C of the target-attenuator-cable chain and the input reflection factor Γ_O of the oscilloscope. They should be obtained either from the calibration certificates or from specifications. Due to second order contributions of the errors in Γ , a reliable specification is sufficient. Note however, that also a specification has to cover the whole frequency range, and this is often not the case with oscilloscopes, so additional measurement might be required.

The mismatch contribution is:

$\Gamma_C \cdot \Gamma_O$, with U-shaped distribution, yielding the divisor $\sqrt{2}$.

This mismatch uncertainty formula assumes that the oscilloscope's amplitude response has been calibrated according to radio-frequency calibration concepts, i.e. the voltage error is referenced to the incident voltage from a 50 Ω source and not to the actual voltage at the input. This should be verified in the certificate, else a different formula has to be applied.

NOTE 3 It is assumed that the laboratory has a separate calibration instruction, with an uncertainty assessment that yields the extended uncertainty U of this calibration.

NOTE 4 The repeatability is normally taken from at least 5 consecutive measurements. This is a type A evaluation and the formula for the standard deviation $s(\bar{q})$ for a set of n repeated measurements is given by

$$s(\bar{q}) = \sqrt{\frac{1}{n(n-1)} \sum_{j=1}^n (q_j - \bar{q})^2}$$

with q_j : result of the j^{th} measurement and \bar{q} arithmetic mean of the results.

Table E.3 – Example of uncertainty budget for ESD I_{30} , I_{60} calibration

Contributor	Distribution	Value %	$u_i(y)$ %	$u_i(y)^2$ % ²	Comment
Uncertainty of Table E.2	Normal $k = 2$	6,3	3,15	9,92	Uncertainty of peak current (Table E.2)
Reading of time at 30 ns or 60 ns	Rectangular $k = \sqrt{3}$	0,17	0,098	0,0096	Sensitivity of current reading at 30 ns or 60 ns, for a measurement at time interval between the 10 % peak current value and 30 ns or 60 ns. 20 GS/s oscilloscope sampling rate (two readings each with 50 ps uncertainty)
			Sum	9,93	
u_c			Root	3,15 %	
Expanded uncertainty U on I_{30} and I_{60}	Normal $k = 2$	6,3 %			Confidence level 95 %

Product committees or accreditation bodies may impose other interpretations.

E.8 Application of uncertainties in the ESD generator compliance criterion

Generally, in order to be sure the generator is within its specifications, the calibration results should be within the specified limits of this standard (tolerances are not reduced by MU).

The following MU are recommended for laboratories which perform calibrations:

Rise time t_r	MU ≤ 15 %
Peak current I_p	MU ≤ 7 %
Current at 30 ns	MU ≤ 7 %
Current at 60 ns	MU ≤ 7 %

Annex F (informative)

Variation in test results and escalation strategy

F.1 Variations in test results

As a result of the complex nature of ESD and the necessary tolerances on test equipment, some variation in the results of ESD tests can be expected. Often, these variations are differences in the test levels at which errors occur or the types of errors that the EUT experiences during the test. Depending on the test level at which they occur, such test result variations can affect the decision whether the EUT passed or failed the test.

In the case of differences in test results, the following steps should normally be taken to determine the source of the differences.

- Verify the test setup; examine all the details, including the position of each cable and the condition of the EUT (e.g., covers, doors).
- Verify the test procedure, including the EUT operation mode, position and location of auxiliary equipment, operator position, software state, application of discharges to the EUT.
- Verify the test generator; is it operating correctly? When was it calibrated last? Is it operating within specifications? Are test result differences due to the use of different generators?

If differences in test results are caused by the use of different ESD generators, then the results with any generator that meets the requirements of 6.2 can be used for determining compliance with this standard.

F.2 Escalation strategy

If differences in test results occur when all conditions of the test, including the ESD generator, are the same, then the following escalation strategy may be applied to determine compliance with the standard. This strategy would be applied individually to each test point experiencing variable test results.

- a) The first test is (was) to apply the prescribed number of discharges to a test point according to 8.3 (for example 50 discharges) with the intended test level. If no unacceptable effect occurs in this first set of discharges, the EUT passes the test at that test point. If one unacceptable effect occurs in this set of discharges, a further test according to the following point b) is performed. If more than one unacceptable effect occurs in this set of discharges, the EUT fails the test at that test point.
- b) The second test is to apply a new set with doubled number of discharges at that test point with the intended test level. If no unacceptable effect occurs in this set of discharges, the EUT passes the test at that test point and test level. If one unacceptable effect occurs in this set of discharges, a further test according to the following point c), may be performed; otherwise the EUT fails the test at that test point. If more than one unacceptable effect occurs in this set of discharges, the EUT fails the test at that test point.
- c) The third test is to apply a new set with the same number of discharges as in point b) at that test point with the intended test level. If no unacceptable effect occurs in this set of discharges, the EUT passes the test at that test point. If one or more unacceptable effect occurs in this set of discharges, the EUT fails the test at that test point.

SOMMAIRE

AVANT-PROPOS.....	67
INTRODUCTION.....	69
1 Domaine d'application	70
2 Références normatives.....	70
3 Termes et définitions	71
4 Généralités.....	73
5 Niveaux d'essai	73
6 Générateur d'essai	74
6.1 Généralités.....	74
6.2 Caractéristiques et performances du générateur de DES.....	75
6.3 Vérification du montage de DES.....	77
7 Montage d'essai	78
7.1 Matériel d'essai	78
7.2 Montage d'essai utilisé pour les essais réalisés en laboratoire	78
7.2.1 Exigences d'essai.....	78
7.2.2 Matériels de table.....	79
7.2.3 Matériels posés sur le sol.....	80
7.2.4 Matériels non raccordés à la terre	81
7.3 Montage d'essai pour les essais après installation	85
8 Procédure d'essai.....	86
8.1 Conditions de référence du laboratoire	86
8.1.1 Paramètres d'environnement.....	86
8.1.2 Conditions climatiques.....	86
8.1.3 Conditions électromagnétiques.....	87
8.2 Fonctionnement de l'EST	87
8.3 Exécution de l'essai.....	87
8.3.1 Décharges sur l'EST.....	87
8.3.2 Application directe des décharges sur l'EST	87
8.3.3 Application indirecte des décharges	89
9 Evaluation des résultats d'essai	90
10 Rapport d'essai	90
Annexe A (informative) Notes explicatives	92
Annexe B (normative) Etalonnage du système de mesure du courant et mesure du courant de décharge	97
Annexe C (informative) Exemple d'une cible d'étalonnage satisfaisant aux exigences de l'Annexe B	104
Annexe D (informative) Champs rayonnés par les décharges personne-métal et les générateurs de DES	110
Annexe E (informative) Considérations concernant l'incertitude de mesure.....	120
Annexe F (informative) Variation des résultats d'essai et stratégie d'intensification	127
Bibliographie.....	129
Figure 1 – Schéma simplifié du générateur de DES	74
Figure 2 – Forme d'onde idéale de courant de décharge au contact à 4 kV.....	76
Figure 3 – Electrodes de décharge du générateur de DES	77

Figure 4 – Exemple de montage d'essai pour matériel de table, Essais en laboratoire	80
Figure 5 – Exemple de montage d'essai pour matériels posés au sol, essais en laboratoire	81
Figure 6 – Exemple de montage d'essai pour un matériel de table non relié à la terre	83
Figure 7 – Exemple de montage d'essai pour un matériel posé sur le sol non relié à la terre.....	84
Figure 8 – Exemple de montage d'essai pour matériels posés au sol, Essais après installation	86
Figure A.1 – Valeurs maximales des tensions électrostatiques auxquelles les opérateurs peuvent être chargés lorsqu'ils sont en contact avec les matériaux mentionnés à l'Article A.2	93
Figure B.1 – Exemple d'une ligne d'adaptation de la cible fixée à la cible de courant.....	98
Figure B.2 – Exemple de face avant d'une cible de courant	98
Figure B.3 – Exemple de mesure de la perte d'insertion d'une chaîne cible de courant-atténuateur-câble.....	99
Figure B.4 – Schéma de circuit pour déterminer l'impédance de transfert de système à basse fréquence	100
Figure B.5 – Arrangement type pour l'étalonnage des performances du générateur de DES.....	102
Figure C.1 – Dessin mécanique d'une cible coaxiale (dessin 1 sur 5)	105
Figure C.2 – Dessin mécanique d'une cible coaxiale (dessin 2 sur 5)	106
Figure C.3 – Dessin mécanique d'une cible coaxiale (dessin 3 sur 5)	107
Figure C.4 – Dessin mécanique d'une cible coaxiale (dessin 4 sur 5)	108
Figure C.5 – Dessin mécanique d'une cible coaxiale (dessin 5 sur 5)	109
Figure D.1 – Champ électrique d'une personne réelle tenant une pièce métallique, chargée à 5 kV, mesuré à une distance de 0,1 m et pour une longueur d'arc de 0,7 mm.....	113
Figure D.2 – Champ magnétique d'une personne réelle tenant une pièce métallique, chargée à 5 kV, mesuré à une distance de 0,1 m et pour une longueur d'arc d'environ 0,5 mm	114
Figure D.3 – Boucle en demi-cercle sur le plan de sol.....	115
Figure D.4 – Tensions induites dans une demi-boucle	115
Figure D.5 – Exemple de montage d'essai pour mesurer les champs de DES rayonnés	116
Figure D.6 – Comparaison entre la chute de tension mesurée (trait plein) et la valeur calculée numériquement (trait pointillé) sur la boucle pour une distance de 45 cm.....	117
Figure D.7 – Comparaison entre le champ H calculé à partir de la donnée mesurée (trait plein) et le champ H calculé par simulation numérique (trait pointillé) pour une distance de 45 cm.....	118
Figure D.8 – Structure illuminée par des champs rayonnés et circuit équivalent.....	119
Figure D.9 – Champs H rayonnés	119
Tableau 1 – Niveaux d'essai	74
Tableau 2 – Spécifications générales.....	75
Tableau 3 – Paramètre de forme d'onde de courant de décharge au contact	75
Tableau 4 – Cas d'application des DES sur les connecteurs	88
Tableau A.1 – Conseils pour le choix des niveaux d'essais.....	94
Tableau B.1 – Procédure d'étalonnage de décharge au contact.....	102

Tableau E.1 – Exemple de budget d’incertitude pour l’étalonnage du temps de montée de DES	124
Tableau E.2 – Exemple de budget d’incertitude pour l’étalonnage du courant de crête de DES	125
Tableau E.3 – Exemple de budget d’incertitude pour l’étalonnage de DES à I_{30} , I_{60}	126

COMMISSION ÉLECTROTECHNIQUE INTERNATIONALE

COMPATIBILITÉ ÉLECTROMAGNÉTIQUE (CEM) –**Partie 4-2: Techniques d'essai et de mesure –
Essai d'immunité aux décharges électrostatiques**

AVANT-PROPOS

- 1) La Commission Electrotechnique Internationale (CEI) est une organisation mondiale de normalisation composée de l'ensemble des comités électrotechniques nationaux (Comités nationaux de la CEI). La CEI a pour objet de favoriser la coopération internationale pour toutes les questions de normalisation dans les domaines de l'électricité et de l'électronique. A cet effet, la CEI – entre autres activités – publie des Normes internationales, des Spécifications techniques, des Rapports techniques, des Spécifications accessibles au public (PAS) et des Guides (ci-après dénommés "Publication(s) de la CEI"). Leur élaboration est confiée à des comités d'études, aux travaux desquels tout Comité national intéressé par le sujet traité peut participer. Les organisations internationales, gouvernementales et non gouvernementales, en liaison avec la CEI, participent également aux travaux. La CEI collabore étroitement avec l'Organisation Internationale de Normalisation (ISO), selon des conditions fixées par accord entre les deux organisations.
- 2) Les décisions ou accords officiels de la CEI concernant les questions techniques représentent, dans la mesure du possible, un accord international sur les sujets étudiés, étant donné que les Comités nationaux de la CEI intéressés sont représentés dans chaque comité d'études.
- 3) Les Publications de la CEI se présentent sous la forme de recommandations internationales et sont agréées comme telles par les Comités nationaux de la CEI. Tous les efforts raisonnables sont entrepris afin que la CEI s'assure de l'exactitude du contenu technique de ses publications; la CEI ne peut pas être tenue responsable de l'éventuelle mauvaise utilisation ou interprétation qui en est faite par un quelconque utilisateur final.
- 4) Dans le but d'encourager l'uniformité internationale, les Comités nationaux de la CEI s'engagent, dans toute la mesure possible, à appliquer de façon transparente les Publications de la CEI dans leurs publications nationales et régionales. Toutes divergences entre toutes Publications de la CEI et toutes publications nationales ou régionales correspondantes doivent être indiquées en termes clairs dans ces dernières.
- 5) La CEI n'a prévu aucune procédure de marquage valant indication d'approbation et n'engage pas sa responsabilité pour les équipements déclarés conformes à une de ses Publications.
- 6) Tous les utilisateurs doivent s'assurer qu'ils sont en possession de la dernière édition de cette publication.
- 7) Aucune responsabilité ne doit être imputée à la CEI, à ses administrateurs, employés, auxiliaires ou mandataires, y compris ses experts particuliers et les membres de ses comités d'études et des Comités nationaux de la CEI, pour tout préjudice causé en cas de dommages corporels et matériels, ou de tout autre dommage de quelque nature que ce soit, directe ou indirecte, ou pour supporter les coûts (y compris les frais de justice) et les dépenses découlant de la publication ou de l'utilisation de cette Publication de la CEI ou de toute autre Publication de la CEI, ou au crédit qui lui est accordé.
- 8) L'attention est attirée sur les références normatives citées dans cette publication. L'utilisation de publications référencées est obligatoire pour une application correcte de la présente publication.
- 9) L'attention est attirée sur le fait que certains des éléments de la présente Publication de la CEI peuvent faire l'objet de droits de propriété intellectuelle ou de droits analogues. La CEI ne saurait être tenue pour responsable de ne pas avoir identifié de tels droits de propriété et de ne pas avoir signalé leur existence.

La Norme internationale CEI 61000-4-2 a été établie par le sous-comité 77B: Phénomènes haute fréquence, du comité d'études 77 de la CEI: Compatibilité électromagnétique.

Cette deuxième édition annule et remplace la première édition publiée en 1995, son amendement 1 (1998) et son amendement 2 (2000) et constitue une révision technique.

Elle constitue la partie 4-2 de la CEI 61000. Elle a le statut d'une publication fondamentale en CEM conformément au Guide 107 de la CEI.

Les modifications principales par rapport à la première édition de cette norme et ses amendements sont les suivantes:

- les spécifications de la cible ont été étendues jusqu'à 4 GHz. Un exemple de cible satisfaisant ces exigences est également fourni;
- de l'information sur les champs rayonnés par une décharge homme-métal et par les générateurs de DES est donnée;

- des considérations concernant les incertitudes de mesure avec des exemples de budgets d'incertitudes sont également données.

Le texte de cette norme est issu des documents suivants:

FDIS	Rapport de vote
77B/574/FDIS	77B/584/RVD

Le rapport de vote indiqué dans le tableau ci-dessus donne toute information sur le vote ayant abouti à l'approbation de cette norme.

Cette publication a été rédigée selon les Directives ISO/CEI, Partie 2.

Une liste de toutes les parties de la série CEI 61000, présentées sous le titre général *Compatibilité électromagnétique (CEM)*, peut être consultée sur le site web de la CEI .

Le comité a décidé que le contenu de cette publication ne sera pas modifié avant la date de maintenance indiquée sur le site web de la CEI sous "<http://webstore.iec.ch>" dans les données relatives à la publication recherchée. A cette date, la publication sera

- reconduite,
- supprimée,
- remplacée par une édition révisée, ou
- amendée.

INTRODUCTION

La CEI 61000-4 fait partie de la série de normes CEI 61000 selon la structure suivante:

Partie 1: Généralités

Considérations générales (introduction, principes fondamentaux)

Définitions, terminologie

Partie 2: Environnement

Description de l'environnement

Classification de l'environnement

Niveaux de compatibilité

Partie 3: Limites

Limites d'émission

Limites d'immunité (dans la mesure où elles ne relèvent pas des comités de produit)

Partie 4: Techniques d'essai et de mesure

Techniques de mesure

Techniques d'essai

Partie 5: Guides d'installation et d'atténuation

Guides d'installation

Méthodes et dispositifs d'atténuation

Partie 6: Normes génériques

Partie 9: Divers

Chaque partie est à son tour subdivisée en plusieurs parties, publiées soit comme normes internationales, soit comme spécifications techniques ou rapports techniques, dont certaines ont déjà été publiées en tant que sections. D'autres seront publiées avec un tiret à la suite du numéro de partie suivi d'un second numéro pour identifier la subdivision (exemple: CEI 61000-6-1).

La présente partie est une norme Internationale qui traite des exigences en matière d'immunité et des procédures d'essai relatives aux décharges électrostatiques.

COMPATIBILITÉ ÉLECTROMAGNÉTIQUE (CEM) –

Partie 4-2: Techniques d'essai et de mesure – Essai d'immunité aux décharges électrostatiques

1 Domaine d'application

Cette partie de la CEI 61000 présente norme internationale se rapporte aux exigences et méthodes d'essais relatives à l'immunité des matériels électriques et électroniques, soumis à des décharges d'électricité statique produites directement par les opérateurs, et entre le personnel et des objets situés à proximité. Elle définit en outre des gammes de niveaux d'essais, qui correspondent à différentes conditions d'environnement et d'installation et elle établit des procédures d'essai.

Cette norme a pour objet d'établir une base commune et reproductible pour l'évaluation des performances des matériels électriques et électroniques lorsqu'ils sont soumis à des décharges électrostatiques. Elle intègre également les décharges électrostatiques qui peuvent apparaître entre le personnel et des objets situés à proximité de matériels vitaux.

Cette norme définit:

- la forme d'onde type du courant de décharge;
- la gamme des niveaux d'essais;
- le matériel d'essai;
- le montage d'essai;
- la procédure d'essai;
- la procédure d'étalonnage;
- l'incertitude de mesure.

Cette norme donne des spécifications pour les essais menés en «laboratoires» et «les essais après installation» réalisés sur le matériel dans l'installation finale.

Cette norme ne vise pas à spécifier les essais devant s'appliquer à des appareils ou systèmes particuliers. Le but principal est de donner une référence de base générale à tous les comités de produits concernés au sein de la CEI. Les comités des produits (ou les utilisateurs et fabricants de matériels) restent responsables du choix approprié des essais et du niveau de sévérité à appliquer à leur matériel.

Afin de ne pas entraver la tâche de coordination et de normalisation, il est fortement recommandé aux comités de produits ou aux utilisateurs et fabricants d'envisager d'adopter les essais d'immunité appropriés spécifiés dans cette norme (lors de futurs travaux ou de révisions d'anciennes normes).

2 Références normatives

Les documents de référence suivants sont indispensables pour l'application du présent document. Pour les références datées, seule l'édition citée s'applique. Pour les références non datées, la dernière édition du document de référence s'applique (y compris les éventuels amendements).

CEI 60050(161), *Vocabulaire Electrotechnique International (VEI) – Partie 161: Compatibilité électromagnétique*

3 Termes et définitions

Pour les besoins de la présente partie de la CEI 61000, les termes et définitions suivants s'appliquent; ils concernent uniquement le domaine des décharges électrostatiques et ne sont pas tous répertoriés dans la CEI 60050(161) [VEI].

3.1

méthode de décharge dans l'air

méthode d'essai dans laquelle l'électrode chargée du générateur d'essai est déplacée en direction de l'EST jusqu'à ce qu'elle le touche

3.2

matériau antistatique

matériau ayant des propriétés qui minimisent la génération de charges quand il est frotté contre ou écarté du même matériau ou d'autres matériaux similaires

3.3

étalonnage

ensemble des opérations établissant, en référence à des étalons, la relation qui existe, dans les conditions spécifiées, entre une indication et un résultat de mesure

NOTE 1 Cette définition est conçue dans l'approche « incertitude ».

NOTE 2 La relation entre les indications et les résultats de mesures peut être donnée, en principe, dans un diagramme d'étalonnage.

[VEI 311-01-09]

3.4

essai de conformité

essai effectué sur un échantillon représentatif du matériel pour déterminer si ce matériel, tel qu'il est conçu et fabriqué, peut satisfaire aux exigences de la présente norme

3.5

méthode de décharge au contact

méthode d'essai dans laquelle l'électrode du générateur d'essai est mise en contact avec l'EST ou le plan de couplage et où la décharge est déclenchée par le commutateur de décharge à l'intérieur du générateur

3.6

plan de couplage

feuille ou plaque métallique sur laquelle les décharges sont appliquées de manière à simuler les décharges électrostatiques sur les objets adjacents à l'EST; PCH: Plan de Couplage Horizontal; PCV: Plan de Couplage Vertical

3.7

dégradation (de fonctionnement)

écart non désiré des caractéristiques de fonctionnement d'un dispositif, d'un appareil ou d'un système par rapport aux caractéristiques attendues

NOTE Une dégradation peut être un défaut de fonctionnement temporaire ou permanent.

[VEI 161-01-19]

3.8

application directe

application de la décharge directement sur l'EST

3.9

compatibilité électromagnétique (CEM)

aptitude d'un appareil ou d'un système à fonctionner dans son environnement électromagnétique de façon satisfaisante et sans produire lui-même des perturbations électromagnétiques intolérables pour tout ce qui se trouve dans cet environnement

[VEI 161-01-07]

3.10

décharge électrostatique (DES)

transfert de charges électriques entre des corps ayant des potentiels électriques différents lorsqu'ils sont proches ou mis en contact direct

[VEI 161-01-22]

3.11

condensateur de stockage d'énergie

condensateur du générateur de DES qui représente la capacité d'un corps humain chargé à la valeur de la tension d'essai

NOTE Cet élément peut être un composant discret ou une capacité répartie.

3.12

EST

matériel soumis à l'essai, en anglais *Equipment Under Test*

3.13

plan de sol

surface conductrice plate dont le potentiel est pris comme référence

[VEI 161-04-36]

3.14

durée de maintien

intervalle de temps pendant lequel la diminution de la tension d'essai due aux fuites se produisant avant la décharge n'est pas supérieure à 10 %

3.15

immunité (à une perturbation)

aptitude d'un dispositif, d'un appareil ou d'un système à fonctionner sans dégradation en présence d'une perturbation électromagnétique

[VEI 161-01-20]

3.16

application indirecte

application de la décharge à un plan de couplage situé au voisinage de l'EST pour simuler la décharge entre le personnel et les objets adjacents à l'EST

3.17

temps de montée

durée de l'intervalle de temps entre les instants auxquels la valeur instantanée d'une impulsion atteint pour la première fois les limites inférieure et supérieure spécifiées

NOTE Sauf spécification contraire, les valeurs inférieure et supérieure sont fixées à 10 % et 90 % de la hauteur de l'impulsion.

[VEI 161-02-05, modifié]

3.18 vérification

ensemble des opérations utilisées pour vérifier le système d'équipement d'essai (par exemple, le générateur d'essai et les câbles d'interconnexion) et pour démontrer qu'il fonctionne

NOTE 1 Les méthodes utilisées pour la vérification peuvent être différentes de celles utilisées pour l'étalonnage.

NOTE 2 Pour les besoins de la présente norme fondamentale en CEM, cette définition diffère de celle donnée dans le VEI sous la référence 311-01-13.

4 Généralités

La présente norme concerne les matériels, systèmes, sous-systèmes et périphériques qui peuvent être soumis à des décharges d'électricité statique en raison des conditions d'environnement et d'installation, telles qu'une faible humidité relative, l'utilisation de moquettes à faible conductivité (en fibres synthétiques), de vêtements en vinyle, etc., qui peuvent exister à tous les emplacements répertoriés dans les normes applicables aux matériels électriques et électroniques (pour avoir des informations plus détaillées, voir l'Article A.1).

NOTE D'un point de vue technique, le terme précis pour ce phénomène serait « décharge d'électricité statique ». Cependant, le terme « décharge électrostatique » (DES) est largement utilisé dans les instances et les ouvrages techniques. Il a donc été décidé de conserver le terme « décharge électrostatique » dans le titre de la présente norme.

5 Niveaux d'essai

La gamme des niveaux d'essai préférentiels à utiliser pour l'essai de DES est donnée dans le Tableau 1.

La méthode d'essai de décharge au contact est la méthode préférentielle. Les décharges dans l'air doivent être utilisées lorsque les décharges au contact ne peuvent pas être appliquées. Pour chaque méthode d'essai les tensions sont données dans le Tableau 1. Les différences entre les tensions indiquées pour chaque méthode sont dues aux différences entre les méthodes d'essai. Cela ne signifie pas que la sévérité des essais soit équivalente entre les méthodes d'essai.

Des détails relatifs aux différents paramètres qui peuvent influencer le niveau de tension auquel le corps humain peut être chargé sont donnés dans l'Article A.2. L'Article A.4 donne également des exemples d'application de niveaux d'essai correspondant à des classes d'environnement (d'installation).

Pour les essais de décharge dans l'air, l'essai doit être appliqué à tous les niveaux d'essai du Tableau 1 jusqu'au niveau d'essai spécifié inclus. Pour les essais de décharge au contact, l'essai doit être appliqué au niveau d'essai spécifié uniquement sauf spécification contraire des comités de produits.

Des informations complémentaires sont données dans les Articles A.3, A.4 et A.5.

Tableau 1 – Niveaux d'essai

Décharge au contact		Décharge dans l'air	
Niveau	Tension d'essai kV	Niveau	Tension d'essai kV
1	2	1	2
2	4	2	4
3	6	3	8
4	8	4	15
x ^a	Spéciale	x ^a	Spéciale

^a "x" peut être n'importe quel niveau, supérieur, inférieur aux autres niveaux ou intermédiaire. Ce niveau doit être stipulé dans la spécification applicable au matériel. Lorsque des tensions supérieures à celles qui sont données sont spécifiées, il peut être nécessaire d'utiliser des matériels d'essai spéciaux.

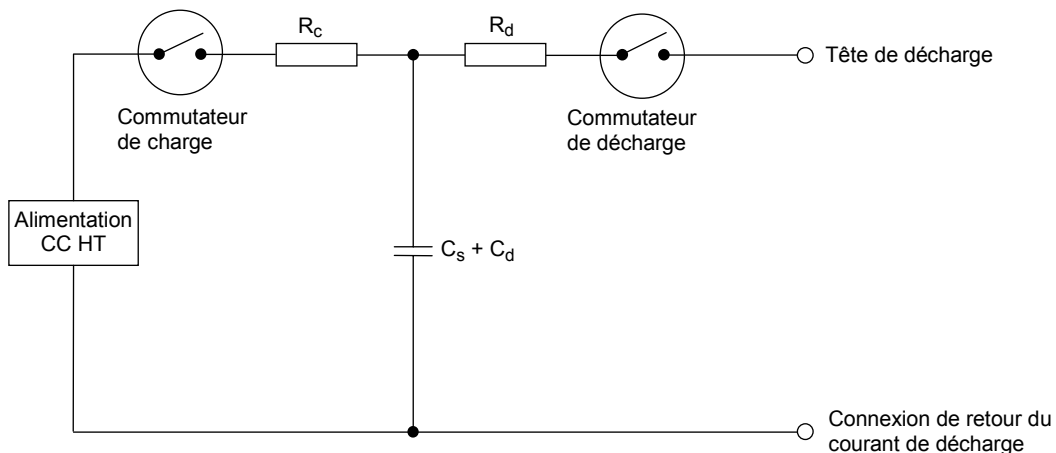
6 Générateur d'essai

6.1 Généralités

Le générateur d'essai se compose essentiellement des éléments suivants:

- une résistance de charge R_c ;
- un condensateur de stockage d'énergie C_s ;
- une capacité répartie C_d ;
- une résistance de décharge R_d ;
- un indicateur de tension;
- un commutateur de décharge;
- un commutateur de charge;
- des têtes interchangeables pour l'électrode de décharge (voir Figure 3);
- un câble de retour du courant de décharge;
- un bloc d'alimentation.

La Figure 1 donne le schéma simplifié du générateur de DES. Les détails de construction n'y figurent pas.



IEC 2205/08

NOTE 1 C_d , est une capacité répartie qui existe entre le générateur et ce qui l'entoure.

NOTE 2 $C_d + C_s$ a une valeur type de 150 pF.

NOTE 3 R_d a une valeur type de 330 Ω

Figure 1 – Schéma simplifié du générateur de DES

Le générateur doit satisfaire aux exigences données en 6.2 lorsqu'il est évalué conformément aux procédures de l'Annexe B. C'est la raison pour laquelle ni le schéma de la Figure 1, ni les valeurs des éléments ne sont spécifiés en détail.

6.2 Caractéristiques et performances du générateur de DES

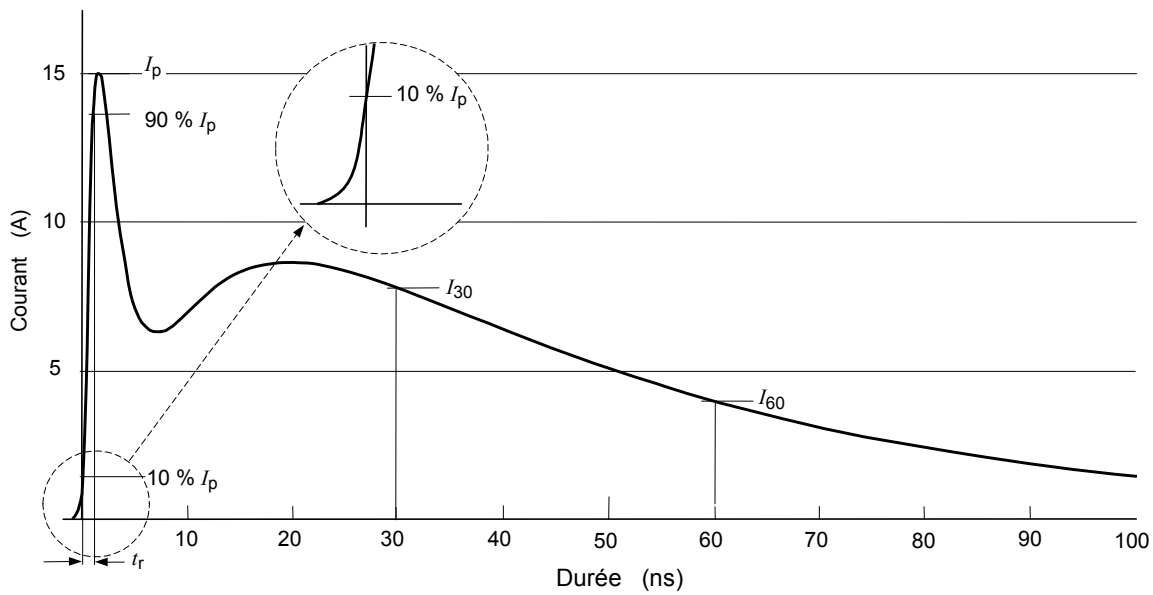
Le générateur d'essai doit satisfaire aux spécifications données aux Tableaux 2 et 3. La Figure 2 représente une forme d'onde de courant idéale et les points de mesure indiqués aux Tableaux 2 et 3. La conformité à ces spécifications doit être démontrée conformément aux méthodes décrites à l'Annexe B.

Tableau 2 – Spécifications générales

Paramètres	Valeurs
Tension de sortie, mode de décharge au contact (voir NOTE 1)	Au moins 1 kV à 8 kV, en valeur nominale
Tension de sortie, mode de décharge dans l'air (voir NOTE 1)	Au moins 2 kV à 15 kV, en valeur nominale (voir NOTE 3)
Tolérance de la tension de sortie	±5 %
Polarité de la tension de sortie	Positive et négative
Durée de maintien	≥5 s
Mode de fonctionnement des décharges	Décharges individuelles (voir NOTE 2)
<p>NOTE 1 Tension en circuit ouvert mesurée à l'électrode de décharge du générateur de DES.</p> <p>NOTE 2 Il convient que le générateur soit capable de produire à une fréquence de répétition d'au moins 20 décharges par seconde à des fins exploratoires.</p> <p>NOTE 3 Il n'est pas nécessaire d'utiliser un générateur avec une capacité de décharge dans l'air de 15 kV si la tension d'essai maximale à utiliser est inférieure.</p>	

Tableau 3 – Paramètre de forme d'onde de courant de décharge au contact

Niveau	Tension indiquée kV	Première crête du courant de décharge ±15 % A	Temps de montée t_r (±25 %) ns	Intensité (±30 %) à 30 ns A	Intensité (±30 %) à 60 ns A
1	2	7,5	0,8	4	2
2	4	15	0,8	8	4
3	6	22,5	0,8	12	6
4	8	30	0,8	16	8
<p>Le point de référence pour mesurer la durée du courant à 30 ns et 60 ns est l'instant où le courant atteint pour la première fois 10 % de la 1^{ère} crête du courant de décharge.</p> <p>NOTE Le temps de montée, t_r, est l'intervalle de temps entre la valeur de 10 % et celle de 90 % de la 1^{ère} crête de courant.</p>					



IEC 2206/08

Figure 2 – Forme d’onde idéale de courant de décharge au contact à 4 kV

L’équation pour la forme d’onde idéale de la Figure 2, $I(t)$ est la suivante:

$$I(t) = \frac{I_1}{k_1} \times \frac{\left(\frac{t}{\tau_1}\right)^n}{1 + \left(\frac{t}{\tau_1}\right)^n} \times \exp\left(\frac{-t}{\tau_2}\right) + \frac{I_2}{k_2} \times \frac{\left(\frac{t}{\tau_3}\right)^n}{1 + \left(\frac{t}{\tau_3}\right)^n} \times \exp\left(\frac{-t}{\tau_4}\right)$$

où

$$k_1 = \exp\left(-\frac{\tau_1}{\tau_2} \left(\frac{n \tau_2}{\tau_1}\right)^{1/n}\right)$$

$$k_2 = \exp\left(-\frac{\tau_3}{\tau_4} \left(\frac{n \tau_4}{\tau_3}\right)^{1/n}\right)$$

et

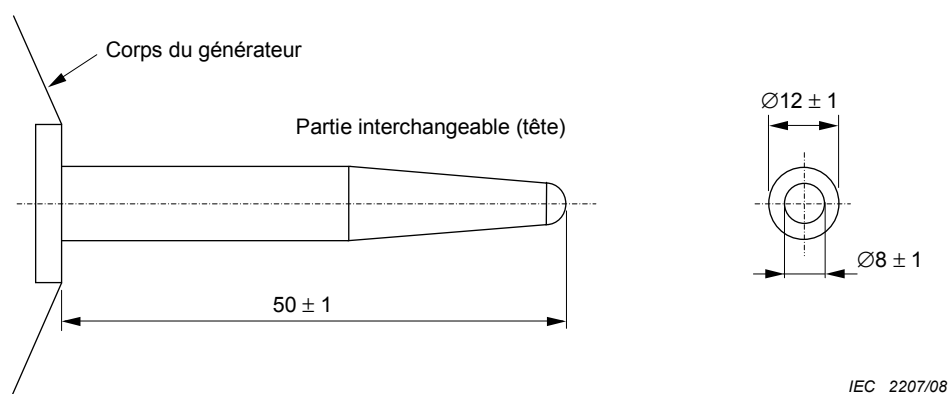
$$\tau_1 = 1,1 \text{ ns}; \tau_2 = 2 \text{ ns}; \tau_3 = 12 \text{ ns}; \tau_4 = 37 \text{ ns}$$

$$I_1 = 16,6 \text{ A (à 4 kV)}; I_2 = 9,3 \text{ A (à 4 kV)}$$

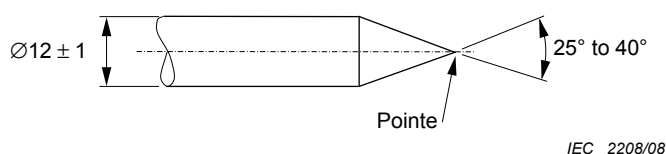
$$n = 1,8.$$

Il convient d’équiper le générateur de moyens empêchant les émissions rayonnées ou conduites non désirées, qu’elles soient de type à impulsion ou continu, de manière à ne pas perturber l’EST ou les matériels d’essai auxiliaires par des effets parasites (voir Annexe D).

Les électrodes de décharge doivent être conformes aux formes et aux dimensions représentées à la Figure 3. Il est admis que les électrodes soient recouvertes par des revêtements isolants, sous réserve que les spécifications de forme d’onde du courant de décharge soient satisfaites.



3a) – Electrode de décharge pour les décharges dans l'air



3b) – Electrode de décharge pour les décharges au contact

Figure 3 – Electrodes de décharge du générateur de DES

Pour la méthode d'essai de décharge dans l'air, on utilise le même générateur et le commutateur de décharge doit être fermé. Le générateur doit être équipé de la tête ronde indiquée à la Figure 3a). Le générateur de DES utilisé étant le même, il n'y a pas d'autres spécifications pour la méthode de décharge dans l'air.

Le câble de retour du courant de décharge du générateur d'essai doit avoir une longueur de $(2 \pm 0,05)$ m, et il doit être réalisé de manière à permettre au générateur de satisfaire à la spécification de forme d'onde. La longueur du câble de retour du courant de décharge est mesurée entre le corps du générateur de DES et l'extrémité du point de connexion. Il doit être suffisamment isolé pour empêcher les fuites du courant de décharge vers le personnel ou vers des surfaces conductrices, autrement que par son extrémité, pendant les essais de DES.

Le câble de retour du courant de décharge utilisé pour l'essai doit être le même câble que celui utilisé pendant l'étalonnage ou un câble identique.

Lorsqu'une longueur de 2 m est insuffisante pour le câble de retour du courant de décharge (par exemple pour les EST qui sont hauts), il est admis d'utiliser une longueur jusqu'à 3 m. La spécification de forme d'onde doit être satisfaite avec le(s) câble(s) utilisé(s) au cours des essais.

6.3 Vérification du montage de DES

L'objet de cette vérification est de s'assurer que le montage d'essai de DES fonctionne. Le montage d'essai de DES comporte :

- le générateur de DES,
- le câble de retour du courant de décharge,
- les résistances d'écoulement de 470 k Ω ,
- le plan de sol, et,
- toutes les connexions qui forment le circuit de décharge.

Des exemples de montages d'essai de DES sont donnés à la Figure 4 pour les matériels de table et à la Figure 5 pour les matériels montés sur le sol.

Pour vérifier que le montage d'essai de DES est correct, une méthode peut consister à observer qu'à des réglages de tension peu élevés, une petite étincelle est créée au cours de la décharge dans l'air vers le plan de couplage et qu'une étincelle plus importante est créée avec des réglages de tension plus élevés. Il est essentiel de vérifier la connexion et l'emplacement du ruban de terre avant la vérification décrite ci-dessus.

Justification: Dans la mesure où les formes d'ondes provenant des générateurs de DES ne varient généralement pas de manière fine (par exemple, le temps de montée et la durée de la forme d'onde ne dérivent pas), les défaillances des générateurs de DES les plus vraisemblables seraient l'absence de tension délivrée à l'électrode de décharge ou l'absence de contrôle de tension. Tout câble, résistance ou connexion du circuit de décharge peut être endommagé, desserré ou manquant ce qui empêche toute décharge.

Il est recommandé de vérifier le montage d'essai de DES avant les essais.

7 Montage d'essai

7.1 Matériel d'essai

Le montage d'essai comprend le générateur d'essai, l'EST et l'appareillage auxiliaire nécessaire pour effectuer des applications directes et indirectes de décharges à l'EST, de la manière suivante:

- a) décharge au contact sur les surfaces conductrices et sur les plans de couplage;
- b) décharge dans l'air sur les surfaces isolantes.

On peut distinguer deux types d'essais différents:

- essais (de conformité) de type réalisés en laboratoire;
- essais après installation effectués sur les matériels dans les conditions finales d'installation.

La méthode préférentielle est celle des essais de type effectués en laboratoire.

La disposition de l'EST doit être en accord avec les instructions d'installation fournies éventuellement par le fabricant.

7.2 Montage d'essai utilisé pour les essais réalisés en laboratoire

7.2.1 Exigences d'essai

Les exigences suivantes s'appliquent aux essais réalisés en laboratoire dans les conditions d'environnement de référence décrites en 8.1.

Un plan de sol doit être disposé sur le sol du laboratoire. Il doit être constitué d'une feuille métallique (en cuivre ou aluminium) de 0,25 mm d'épaisseur minimale, d'autres matériaux métalliques peuvent être utilisés sous réserve qu'ils aient une épaisseur d'au moins 0,65 mm.

Le plan de sol doit dépasser l'EST ou le plan de couplage horizontal (si applicable) d'au moins 0,5 m sur tous les côtés, et il doit être relié au système de mise à la terre de protection.

Les réglementations locales de sécurité doivent toujours être satisfaites.

L'EST doit être installé et connecté conformément à ses exigences fonctionnelles.

Une distance minimale de 0,8 m doit être respectée entre le matériel subissant les essais et les murs du laboratoire ou toute autre structure métallique.

L'EST et le générateur de DES (y compris toute alimentation externe) doivent être reliés à la terre conformément à leurs spécifications d'installation. Aucune connexion de terre additionnelle n'est autorisée.

Le positionnement des câbles d'alimentation et de signaux doit être représentatif des conditions d'installation rencontrées en pratique.

Le câble de retour du courant de décharge du générateur de DES doit être connecté au plan de sol. Seulement dans les cas où la longueur du câble est supérieure à celle nécessaire pour appliquer les décharges aux points choisis, la longueur excédentaire doit, si cela est possible, être placée de manière non inductive en dehors du plan de sol. Le câble de retour du courant de décharge ne doit pas s'approcher à moins de 0,2 m des autres parties conductrices du montage d'essai sauf le plan de sol.

NOTE 1 Il est autorisé de connecter le câble de retour du courant de décharge à la paroi métallique du laboratoire d'essai sous réserve que cette paroi soit reliée électriquement au plan de sol.

La connexion des câbles de terre au plan de sol et toutes les liaisons doivent présenter une faible impédance, par exemple en utilisant des dispositifs de fixation mécaniques adaptés aux applications à haute fréquence.

Lorsque des plans de couplage sont spécifiés, par exemple pour permettre une application indirecte de la décharge, ils doivent être construits à partir d'une feuille métallique (en cuivre ou en aluminium) d'une épaisseur minimale de 0,25 mm (d'autres matériaux métalliques peuvent être utilisés mais ils doivent avoir une épaisseur minimale de 0,65 mm) et ils doivent être connectés au plan de sol via un câble ayant une résistance de 470 k Ω placée à chaque extrémité. Ces résistances doivent pouvoir résister à la tension de décharge. Les résistances et les câbles doivent être isolés pour éviter les courts-circuits avec le plan de sol lorsque le câble est posé sur ce plan.

NOTE 2 Les résistances d'écoulement de 470 k Ω qui se trouvent dans les câbles de mise à la terre des PCH et PCV (voir Figures 4 à 8) sont utilisées pour éviter que la charge appliquée aux plans disparaisse de manière instantanée après la décharge du simulateur de DES sur le plan. Ceci augmente l'impact de la DES sur l'EST. Il est recommandé que les résistances soient en mesure de supporter la tension de décharge maximum appliquée au plan de l'EST au cours de l'essai. Il convient de les positionner à proximité de chaque extrémité du câble de mise à la terre afin de réaliser une résistance distribuée.

Les spécifications supplémentaires relatives aux différents types de matériel sont données ci-après.

7.2.2 Matériels de table

Le montage d'essai doit comprendre une table non-conductrice d'une hauteur de $(0,8 \pm 0,08)$ m, placée sur le plan de sol.

Un plan de couplage horizontal (PCH) de $(1,6 \pm 0,02)$ m \times $(0,8 \pm 0,02)$ m doit être placé sur la table. L'EST et ses câbles doivent être isolés du plan de couplage au moyen d'un support isolant de $(0,5 \pm 0,05)$ mm d'épaisseur.

NOTE Il convient que les propriétés isolantes soient maintenues.

Si l'EST est trop grand pour être situé à 0,1 m au minimum de tous les bords du PCH, un PCH supplémentaire, identique au premier, doit être utilisé, il est disposé à $(0,3 \pm 0,02)$ m du premier. La table doit alors être agrandie ou on peut également utiliser deux tables. Les PCH ne doivent pas être reliés ensemble autrement que par les câbles résistants les reliant au plan de sol.

Tout support de montage associé à l'EST doit rester en place.

Justification: Les matériels ou la (les) partie(s) des matériels non raccordés à la terre ne peuvent se décharger eux-mêmes de manière similaire aux matériels de classe I alimentés par le réseau. Si la charge n'est pas évacuée avant que l'impulsion de DES suivante ne soit appliquée, il est possible que l'EST ou la (les) partie(s) d'EST subisse jusqu'à deux fois la tension d'essai prévue. Par conséquent, ce type de matériels ou des parties de matériels pourraient être chargés à une valeur élevée non réaliste, par accumulation de plusieurs DES sur la capacité de l'isolation de classe II, et se décharger ensuite à la tension de claquage de l'isolation avec une énergie beaucoup plus élevée.

Le montage général d'essai doit être identique à ceux décrits en 7.2.2 et 7.2.3 respectivement.

Pour simuler une DES unique (soit dans l'air soit par décharge au contact), la charge sur l'EST doit être évacuée avant chaque impulsion de DES appliquée.

La charge du point métallique, ou de la partie sur laquelle l'impulsion de DES est à appliquer, par exemple boîtiers de connecteurs, broches de charge de batteries, antennes métalliques, doit être évacuée avant chaque impulsion de DES appliquée.

Lorsqu'une ou plusieurs parties métalliques accessibles sont soumises à l'essai de DES, la charge doit être évacuée à partir du point où l'impulsion de DES est à appliquer, étant donné qu'aucune garantie ne peut être donnée quant à la résistance existant entre ce point et les autres points accessibles sur le produit.

Un câble avec des résistances d'écoulement de 470 k Ω , similaire à celui utilisé avec les PCH et PCV, est le dispositif préférentiel pour évacuer les charges; voir 7.2.

Comme la capacité entre l'EST et le PCH (matériel de table) et entre l'EST et le plan de sol (matériel posé sur le sol) est déterminée par la taille de l'EST, le câble muni des résistances d'écoulement peut rester installé pendant l'essai de DES lorsque ceci est fonctionnellement autorisé. Sur ce câble, une résistance doit être connectée au plus court, et de préférence à moins de 20 mm du point d'essai de l'EST. La deuxième résistance doit être connectée près de l'extrémité du câble relié au PCH pour le matériel de table (voir Figure 6), ou au plan de sol pour le matériel posé sur le sol (voir Figure 7).

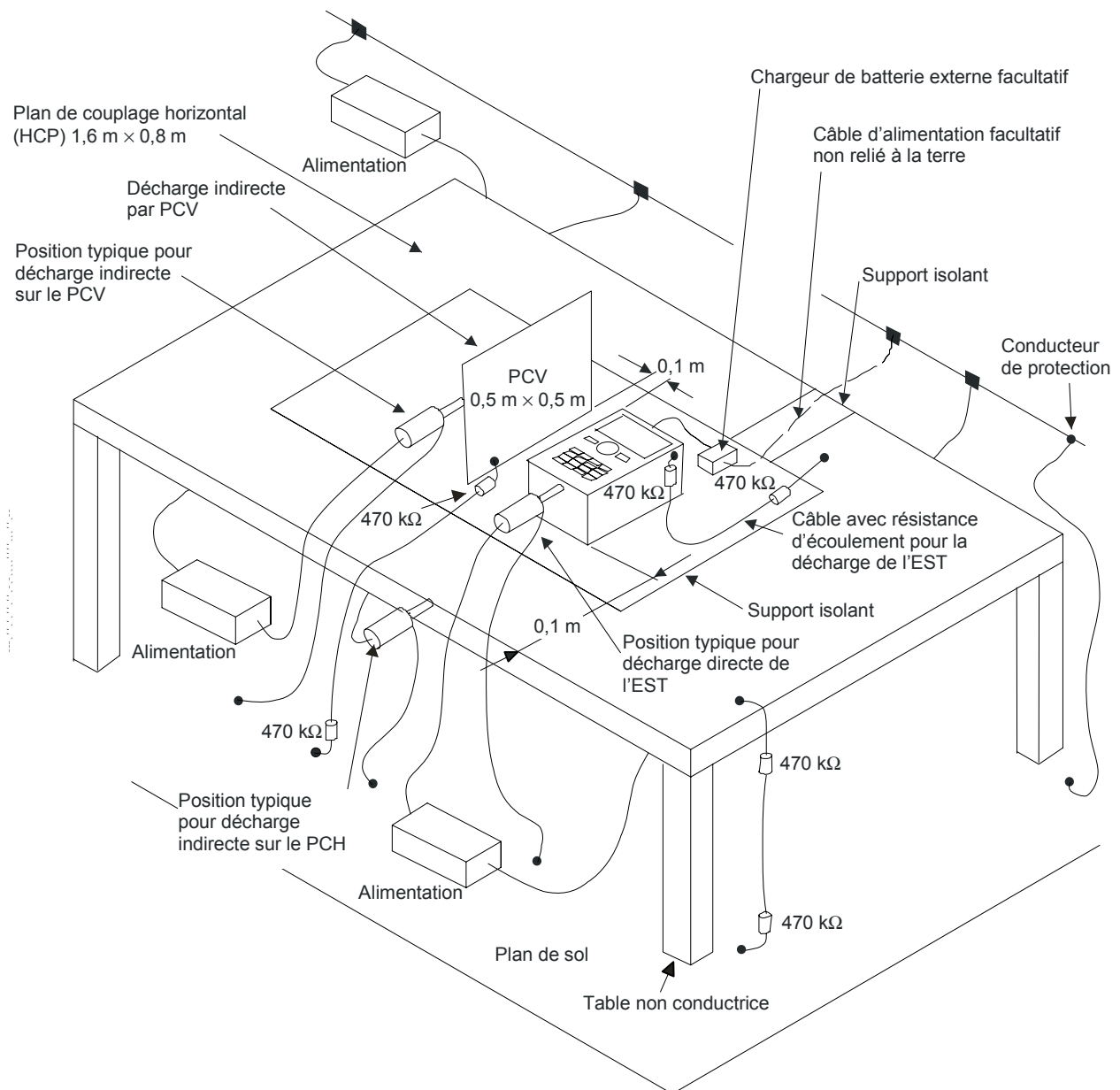
La présence du câble avec les résistances d'écoulement peut influencer les résultats d'essai de certains matériels. Un essai avec le câble déconnecté pendant l'impulsion de DES prévaut sur l'essai avec le câble installé pendant l'essai, à condition que la charge ait suffisamment diminué entre les décharges successives.

Par conséquent comme variante, il est autorisé d'utiliser les options suivantes:

- l'intervalle de temps entre les décharges successives doit être étendu au temps nécessaire permettant la décroissance naturelle de la charge de l'EST;
- le balayage de l'EST avec une brosse à fibres de carbone mise à la terre avec des résistances d'écoulement (par exemple, 2 \times 470 k Ω) dans le câble de mise à la terre.

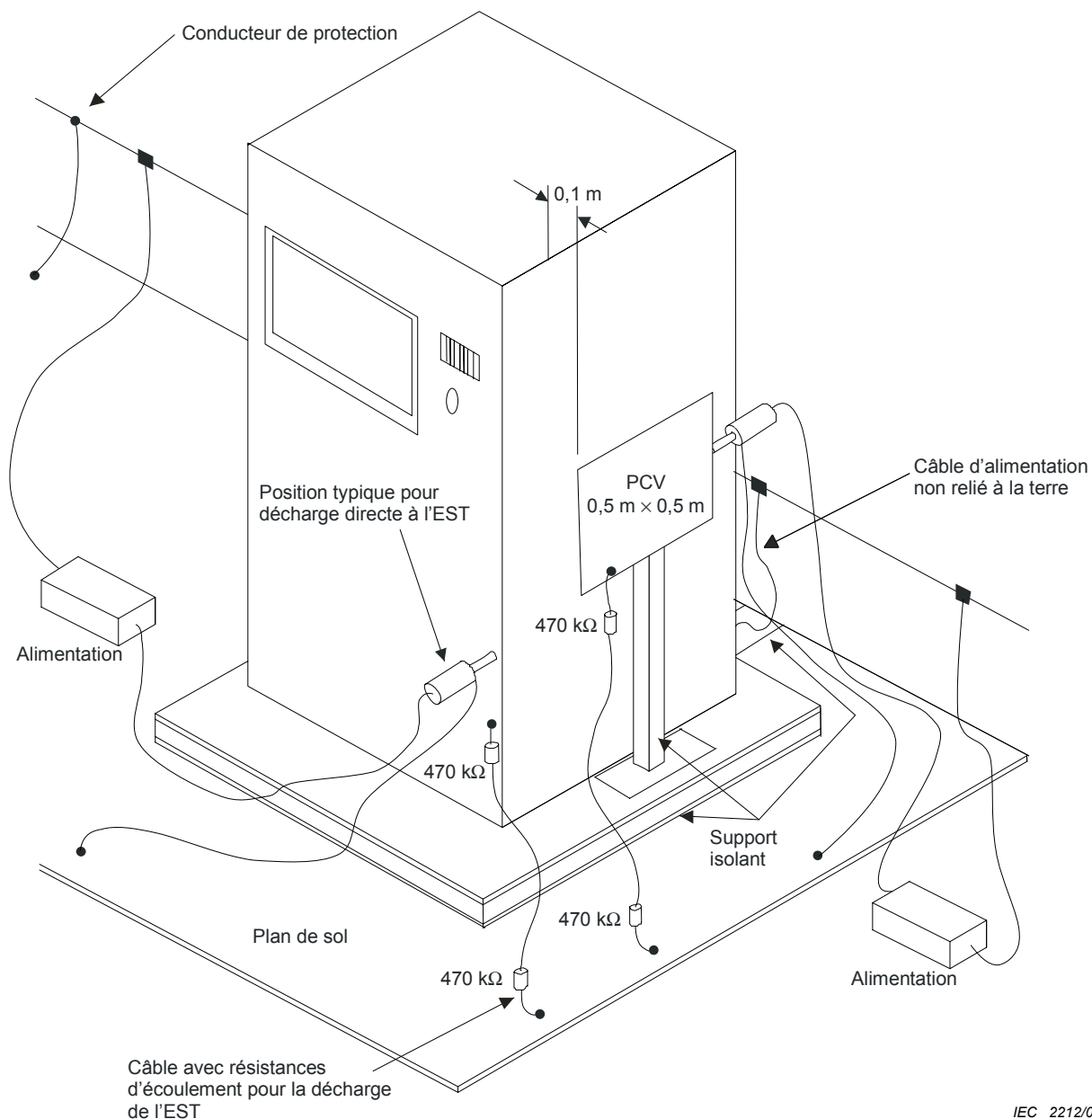
NOTE En cas de litige concernant la décroissance de la charge, la charge de l'EST peut être surveillée par un mesureur de champ électrique sans contact. Lorsque la charge a déchu en dessous de 10 % de sa valeur initiale, l'EST est considéré comme déchargé.

La pointe du générateur de DES doit être tenue perpendiculairement à la surface de l'EST dès que cela est possible.



IEC 2211/08

Figure 6 – Exemple de montage d'essai pour un matériel de table non relié à la terre



IEC 2212/08

Figure 7 – Exemple de montage d'essai pour un matériel posé sur le sol non relié à la terre

7.2.4.2 Matériels de table

Un matériel de table sans connexion métallique au plan de sol doit être installé de manière similaire à celle indiquée en 7.2.2 et à la Figure 4.

Lorsqu'une partie métallique accessible, sur laquelle l'impulsion de DES est à appliquer, est disponible sur l'EST, cette partie doit être raccordée au PCH via le câble équipé des résistances d'écoulement; voir Figure 6.

7.2.4.3 Matériels posés sur le sol

Les matériels posés sur le sol sans aucune connexion métallique au plan de sol doivent être installés de manière similaire à celle indiquée en 7.2.3 et à la Figure 5.

Un câble avec des résistances d'écoulement doit être utilisé entre la partie métallique accessible, à laquelle l'impulsion de DES est à appliquer, et le plan de sol; voir Figure 7.

7.3 Montage d'essai pour les essais après installation

Ces essais après installation qui sont réalisés in situ peuvent être appliqués après accord entre le fabricant et le client. On doit tenir compte du fait que d'autres matériels situés à proximité peuvent être affectés de manière inacceptable.

NOTE De plus, l'EST lui-même peut subir un vieillissement significatif dû aux essais de DES in situ. La durée moyenne de fonctionnement avant défaillance (MTTF, *Mean Time To Failure*) de nombreux circuits électroniques modernes diminue de manière importante si ces circuits ont dû résister une fois à une décharge d'électricité statique. Il n'est pas nécessaire que le dysfonctionnement intervienne immédiatement au cours de l'essai de DES, mais le dispositif connaîtra souvent une défaillance bien plus rapidement qu'un dispositif qui n'a jamais été soumis à des essais de DES. En prenant ce phénomène en compte, il peut être judicieux de décider de ne réaliser aucun essai de DES sur site.

S'il est décidé de réaliser des essais de DES après installation, l'EST doit être soumis aux essais dans ses conditions d'installation finales.

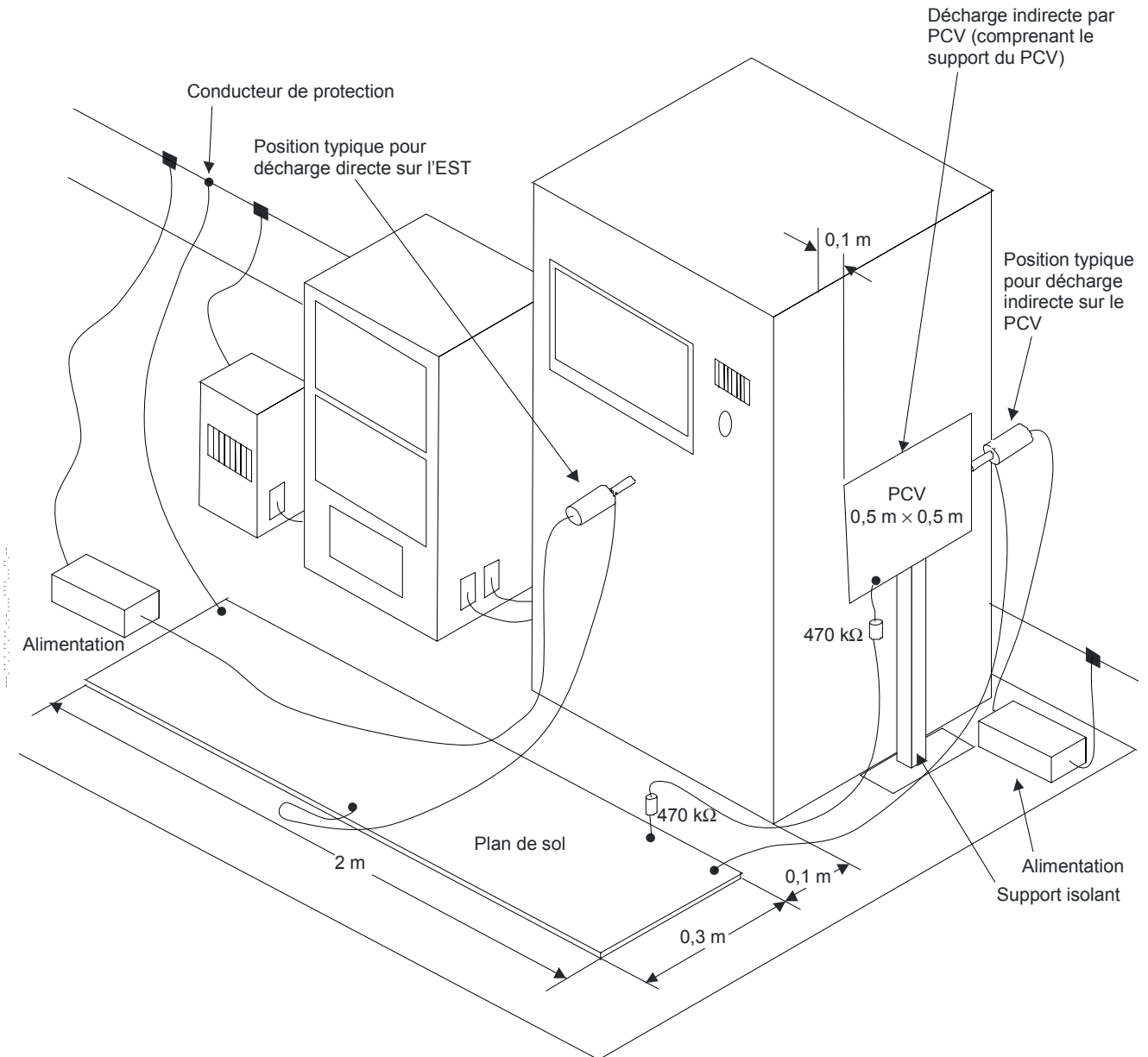
De manière à faciliter la connexion du câble de retour du courant de décharge, un plan de sol doit être établi sur le sol de l'installation à proximité de l'EST, à une distance d'environ 0,1 m. Il convient que ce plan soit en cuivre ou en aluminium d'une épaisseur d'au moins 0,25 mm. D'autres matériaux métalliques peuvent être utilisés s'ils offrent l'épaisseur minimale de 0,65 mm. Il convient que ce plan soit d'une largeur de 0,3 m et d'une longueur de 2 m environ lorsque l'installation le permet.

Il convient que le plan de sol soit relié au système de mise à la terre de protection. Lorsque cela n'est pas possible, il convient qu'il soit connecté à la borne de terre de l'EST, si ce dernier en comporte une.

Le câble de retour du courant de décharge du générateur de DES doit être relié au plan de sol. Lorsque ce dernier est installé sur une table métallique, celle-ci doit être reliée au plan de sol par un câble muni de résistances de 470 k Ω situées à chaque extrémité, de manière à éviter une accumulation de charge.

Les parties métalliques non raccordées à la terre doivent être testées suivant 7.2.4. Le câble équipé des résistances d'écoulement doit être relié au plan de sol près de l'EST.

Un exemple de montage pour les essais après installation est donné à la Figure 8.



IEC 2213/08

Figure 8 – Exemple de montage d'essai pour matériels posés au sol, Essais après installation

8 Procédure d'essai

8.1 Conditions de référence du laboratoire

8.1.1 Paramètres d'environnement

Afin de réduire au minimum l'effet des paramètres d'environnement sur les résultats des essais, les essais et l'étalonnage doivent être réalisés dans les conditions de référence climatiques et électromagnétiques spécifiées en 8.1.2 et 8.1.3.

8.1.2 Conditions climatiques

L'EST doit fonctionner dans les conditions climatiques prévues pour son utilisation.

Dans le cas d'essais utilisant les décharges dans l'air, les conditions climatiques doivent se situer dans les limites suivantes:

- température ambiante: 15 °C à 35 °C;
- humidité relative: 30 % à 60 %;
- pression atmosphérique: 86 kPa (860 mbar) à 106 kPa (1 060 mbar).

NOTE D'autres valeurs peuvent être applicables pour les matériels utilisés uniquement dans des environnements climatiques particuliers.

8.1.3 Conditions électromagnétiques

Les conditions électromagnétiques du laboratoire doivent être de nature à garantir le fonctionnement correct de l'EST afin de ne pas influencer les résultats d'essai.

8.2 Fonctionnement de l'EST

Les programmes et logiciels d'essai doivent être sélectionnés de manière à faire fonctionner tous les modes d'utilisation normale de l'EST. L'utilisation de logiciels spéciaux de fonctionnement est encouragée, mais elle n'est autorisée que s'il est possible de prouver que l'EST est utilisé de manière exhaustive.

Pour les essais de conformité, l'EST doit fonctionner de manière continue dans son mode (ou suivant son cycle de programme) le plus sensible, qui doit être déterminé par des essais préliminaires.

Si un matériel de surveillance est nécessaire, il est recommandé de le découpler de l'EST afin de réduire la possibilité d'indications erronées.

8.3 Exécution de l'essai

8.3.1 Décharges sur l'EST

Les essais doivent être conduits par application directe et/ou indirecte des décharges sur l'EST suivant un plan d'essai. Il convient que ce plan d'essai comprenne:

- les conditions de fonctionnement représentatives de l'EST;
- s'il convient de soumettre l'EST à l'essai sur table ou sur le sol;
- les points auxquels les décharges doivent être appliquées;
- pour chacun de ces points, si l'on doit appliquer des décharges au contact ou des décharges dans l'air;
- le niveau d'essai à appliquer;
- le nombre de décharges devant être appliqué en chaque point pour les essais de conformité;
- la nécessité ou non d'essais après installation.

Il peut être nécessaire d'effectuer quelques essais exploratoires pour établir certains aspects du plan d'essai.

NOTE 1 Se référer à l'Annexe E pour avoir des exemples de budgets d'incertitude, en cas de nécessité de donner l'incertitude de mesure.

NOTE 2 En cas de variations dans les résultats d'essai, l'Annexe F propose une stratégie d'intensification des DES pour déterminer les sources de différences.

8.3.2 Application directe des décharges sur l'EST

Sauf autre spécification dans les normes génériques, de produit ou de famille de produits, les décharges électrostatiques ne doivent être appliquées qu'aux points et surfaces de l'EST qui

sont accessibles par les personnes en utilisation normale. Les exclusions suivantes s'appliquent (c'est-à-dire que les décharges ne sont pas appliquées en ces points):

- a) les points et les surfaces qui ne sont accessibles que pour la maintenance. Dans ce cas, des procédures spéciales d'atténuation des DES doivent être données dans la documentation d'accompagnement;
- b) les points et les surfaces qui ne sont accessibles qu'en intervention de service par l'utilisateur (final). On trouvera ci-après des exemples de ces points auxquels on accède rarement: contacts de batteries lors du changement des batteries, cassette dans un répondeur téléphonique, etc.;
- c) les points et les surfaces d'un matériel qui ne sont plus accessibles après l'installation fixe ou après avoir suivi les instructions d'utilisation, par exemple le bas et/ou le côté d'un matériel, ou des zones situées derrière des connecteurs montés;
- d) les contacts de connecteurs coaxiaux ou multibroches qui sont munis d'un blindage métallique. Dans ce cas, les décharges au contact doivent être uniquement appliquées au blindage métallique de ces connecteurs.

Des contacts à l'intérieur d'un connecteur non conducteur (par exemple en plastique) qui sont accessibles, doivent être essayés uniquement avec des décharges dans l'air. Cet essai doit être réalisé en utilisant l'électrode à tête ronde du générateur de DES.

En général, six cas doivent être examinés:

Tableau 4 – Cas d'application des DES sur les connecteurs

Cas	Blindage du connecteur	Matériau de revêtement	Décharge dans l'air sur:	Décharge au contact sur:
1	Métallique	Aucun	–	Blindage
2	Métallique	Isolant	Revêtement	Blindage si accessible
3	Métallique	Métallique	–	Blindage et revêtement
4	Isolé	Aucun	^a	–
5	Isolé	Isolant	Revêtement	–
6	Isolé	Métallique	–	Revêtement

NOTE Dans le cas où un revêtement est appliqué pour fournir un blindage (DES) aux broches d'un connecteur, il convient qu'une étiquette d'avertissement concernant les DES soit apposée sur ce revêtement ou sur le matériel, à proximité du connecteur auquel le revêtement est appliqué.

^a Si la norme de (famille) de produits exige de tester individuellement les broches d'un connecteur isolé, les décharges dans l'air doivent être appliquées.

- e) les contacts des connecteurs ou les autres parties accessibles qui sont sensibles aux DES pour des raisons fonctionnelles et qui sont munies d'une étiquette d'avertissement concernant les DES, par exemple des entrées RF des fonctions de mesure, de réception ou autres fonctions de communication.

Justification: De nombreux accès de connecteurs sont conçus pour supporter des informations à haute fréquence, analogiques ou numériques, et ne peuvent par conséquent pas être munis de dispositifs de protection suffisants contre les surtensions. Dans le cas de signaux analogiques, des filtres passe-bandes peuvent être une solution. Les diodes de protection contre les surtensions ont une trop grande capacité parasite pour être utiles aux fréquences auxquelles l'EST est prévu de fonctionner.

Dans tous les cas précédents, il est recommandé de fournir des procédures spéciales d'atténuation des DES dans la documentation d'accompagnement.

Il convient que le niveau d'essai final ne dépasse pas la valeur de la spécification de produit pour éviter d'endommager le matériel.

L'essai doit être réalisé avec des décharges coup par coup. Au moins 10 décharges de ce genre (dans la polarité à laquelle le matériel est le plus sensible) doivent être appliquées sur chaque point présélectionné.

NOTE 1 Le nombre minimal de décharges appliquées dépend de l'EST; pour les produits dont les circuits sont synchronisés, il convient que le nombre de décharges soit plus important.

Une valeur initiale de 1 s est recommandée pour l'intervalle de temps entre décharges successives. Des intervalles plus longs peuvent être nécessaires pour déterminer si une défaillance du système est survenue.

NOTE 2 On peut présélectionner les points sur lesquels il convient d'appliquer les décharges au moyen d'une exploration réalisée à la fréquence de 20 décharges ou plus par seconde.

Le générateur de DES doit être tenu perpendiculairement, à chaque fois que cela est possible, à la surface sur laquelle la décharge est appliquée. Cela améliore la reproductibilité des résultats d'essais. Si le générateur de DES ne peut pas être tenu perpendiculairement à la surface, la condition d'essai utilisée pour réaliser des décharges doit être enregistrée dans le rapport d'essai.

Le câble de retour du courant de décharge du générateur doit être maintenu à une distance d'au moins 0,2 m de l'EST pendant que l'on applique la décharge et il est recommandé qu'il ne soit pas tenu par l'opérateur.

Dans le cas de décharges au contact, la tête de l'électrode de décharge doit toucher l'EST avant que le commutateur de décharge ne soit actionné.

Dans le cas de surfaces peintes couvrant un substrat conducteur, on doit utiliser la procédure suivante:

Si le revêtement n'est pas déclaré par le fabricant comme étant isolant, la pointe du générateur doit pénétrer le revêtement de manière à établir le contact avec le substrat conducteur. Les revêtements déclarés isolants par le fabricant doivent uniquement être soumis à la décharge dans l'air. L'essai de décharge au contact ne doit pas être appliqué sur de telles surfaces.

Dans le cas de décharges dans l'air, le générateur de DES doit être approché aussi vite que possible (sans provoquer de dommages mécaniques) jusqu'à toucher l'EST. Après chaque décharge, le générateur de DES (électrode de décharge) doit être éloigné de l'EST. Le générateur est alors réenclenché pour une nouvelle décharge isolée. Cette procédure doit être répétée jusqu'à ce que les décharges soient terminées. Dans le cas de l'essai de décharge dans l'air, le commutateur de décharge qui est utilisé pour la décharge au contact doit être fermé.

8.3.3 Application indirecte des décharges

8.3.3.1 Décharges sur les objets proches de l'EST

Les décharges sur les objets placés ou installés près de l'EST doivent être simulées par application des décharges du générateur de DES à un plan de couplage, en mode de décharge au contact.

En plus de la procédure d'essais décrite en 8.3.2, les exigences décrites en 8.3.3.2 et 8.3.3.3 doivent être respectées.

8.3.3.2 Plan de couplage horizontal (PCH) sous l'EST

La décharge doit être appliquée horizontalement sur la tranche du PCH.

Au moins 10 décharges isolées (dans la polarité à laquelle le matériel est le plus sensible) doivent être appliquées sur le bord avant de chaque PCH, en face du point milieu de chaque unité (si applicable) de l'EST et à 0,1 m de l'avant de l'EST. Le grand axe de l'électrode de décharge doit se trouver dans le plan du PCH et perpendiculairement à son bord avant au cours de la décharge.

L'électrode de décharge doit se trouver en contact avec la tranche du PCH avant que le commutateur de décharge n'opère (voir Figure 4).

Les normes de produit peuvent exiger que toutes les faces de l'EST soient exposées à cet essai.

8.3.3.3 Plan de couplage vertical (PCV)

Au moins 10 décharges isolées (dans la polarité à laquelle le matériel est le plus sensible) doivent être appliquées au centre de l'un des bords verticaux du plan de couplage (voir Figures 4 et 5). Le plan de couplage, de dimensions 0,5 m × 0,5 m est placé parallèlement et positionné à une distance de 0,1 m de l'EST.

Les décharges doivent être appliquées au plan de couplage avec des positions suffisamment différentes pour que les quatre côtés de l'EST soient complètement illuminés. On considère qu'une position de PCV illumine une zone de 0,5 m × 0,5 m de la surface de l'EST.

9 Evaluation des résultats d'essai

Les résultats d'essai doivent être classés en tenant compte de la perte de fonction ou de la dégradation du fonctionnement du matériel soumis à l'essai, par rapport à un niveau de fonctionnement défini par son fabricant ou par le demandeur de l'essai, ou en accord entre le fabricant et l'acheteur du produit. La classification recommandée est la suivante:

- a) fonctionnement normal dans les limites spécifiées par le fabricant, le demandeur de l'essai ou l'acheteur;
- b) perte temporaire de fonction ou dégradation temporaire du fonctionnement cessant après la disparition de la perturbation; le matériel soumis à l'essai retrouve alors son fonctionnement normal sans l'intervention d'un opérateur;
- c) perte temporaire de fonction ou dégradation temporaire du fonctionnement dont la correction nécessite l'intervention d'un opérateur;
- d) perte de fonction ou dégradation du fonctionnement non récupérable, due à une avarie du matériel ou du logiciel, ou à une perte de données.

La spécification du fabricant peut définir des effets sur l'EST qui peuvent être considérés comme non significatifs et donc acceptables.

Cette classification peut être utilisée comme un guide pour l'élaboration des critères d'aptitude à la fonction, par les comités responsables des normes génériques, de produit et de famille de produits, ou comme un cadre pour l'accord sur les critères d'aptitude à la fonction entre le fabricant et l'acheteur, par exemple lorsqu'aucune norme générique, de produit ou de famille de produits appropriée n'existe.

10 Rapport d'essai

Le rapport d'essai doit contenir toutes les informations nécessaires pour reproduire l'essai. En particulier, ce qui suit doit être noté:

- les points spécifiés dans le plan d'essai exigé à l'Article 8 de la présente norme;
- l'identification de l'EST et de tous les matériels associés, par exemple, marque, type, numéro de série;
- l'identification des matériels d'essai, par exemple, marque, type, numéro de série;
- toutes les conditions d'environnement spéciales dans lesquelles l'essai a été réalisé, par exemple, enceinte blindée;
- toutes les conditions spécifiques nécessaires pour permettre la réalisation de l'essai;

- le niveau de fonctionnement défini par le fabricant, le demandeur de l'essai ou l'acheteur;
- le critère d'aptitude à la fonction spécifié dans la norme générique, de produit ou de famille de produits;
- tous les effets observés sur l'EST pendant ou après l'application de la perturbation, et la durée pendant laquelle ces effets ont persisté;
- la justification de la décision succès/échec (basée sur le critère d'aptitude à la fonction spécifié dans la norme générique, de produit ou de famille de produits, ou dans l'accord entre le fabricant et l'acheteur);
- toutes les conditions spécifiques d'utilisation, par exemple, longueur ou type de câble, blindage ou raccordement à la terre, ou les conditions de fonctionnement de l'EST, qui sont requises pour assurer la conformité;
- les conditions climatiques;
- les dessin et / ou images du montage d'essai et de la disposition de l'EST.

Annexe A (informative)

Notes explicatives

A.1 Considérations générales

Le problème de la protection des matériels contre les décharges d'électricité statique a pris une importance considérable pour les fabricants et les utilisateurs.

L'utilisation intensive de composants micro-électroniques a accentué la nécessité de définir les aspects de ce problème et de chercher une solution permettant d'augmenter la fiabilité des systèmes et des produits.

Le problème de l'accumulation de l'électricité statique et des décharges qui en résultent devient plus critique dans les environnements non contrôlés et dans le cas d'une utilisation étendue de matériels et de systèmes.

Le matériel peut également être soumis à des énergies électromagnétiques chaque fois que des décharges se produisent entre les opérateurs et les objets voisins. De plus, des décharges peuvent se produire entre des objets métalliques, comme les tables et les chaises, situés à proximité du matériel. On considère que les essais décrits dans la présente norme simulent de manière appropriée les effets de ce dernier phénomène.

Les effets d'une décharge provenant d'un opérateur peuvent être un simple mauvais fonctionnement du matériel ou bien une détérioration de composants électroniques. Les effets prédominants dépendent des paramètres du courant de décharge (temps de montée, durée, etc.).

La connaissance du problème et la nécessité d'avoir un outil pour empêcher les effets indésirables dus à la décharge d'électricité statique sur les matériels, ont amorcé le développement d'une procédure d'essai normalisée, décrite dans la présente norme.

A.2 Influence des conditions d'environnement sur les niveaux de charge

L'apparition de charges électrostatiques est particulièrement favorisée par la combinaison de tissus synthétiques et d'une atmosphère sèche. Il existe de nombreuses variantes possibles dans le processus de charge. Une situation courante est celle d'un opérateur qui marche sur une moquette et qui, à chaque pas, échange des électrons entre son corps et le tissu. Le frottement entre les vêtements d'un opérateur et sa chaise peut aussi produire un échange de charges. Le corps de l'opérateur peut être chargé soit directement, soit par induction électrostatique. Dans ce dernier cas, une moquette conductrice ne fournira aucune protection à moins que l'opérateur ne soit correctement relié à la terre.

La représentation graphique de la Figure A.1 montre les valeurs de tension auxquelles différents tissus peuvent être chargés en fonction de l'humidité relative de l'atmosphère.

Le matériel peut être soumis directement à des décharges ayant des valeurs de tension atteignant plusieurs kilovolts, et ce en fonction du type des tissus synthétiques et de l'humidité relative de l'environnement.

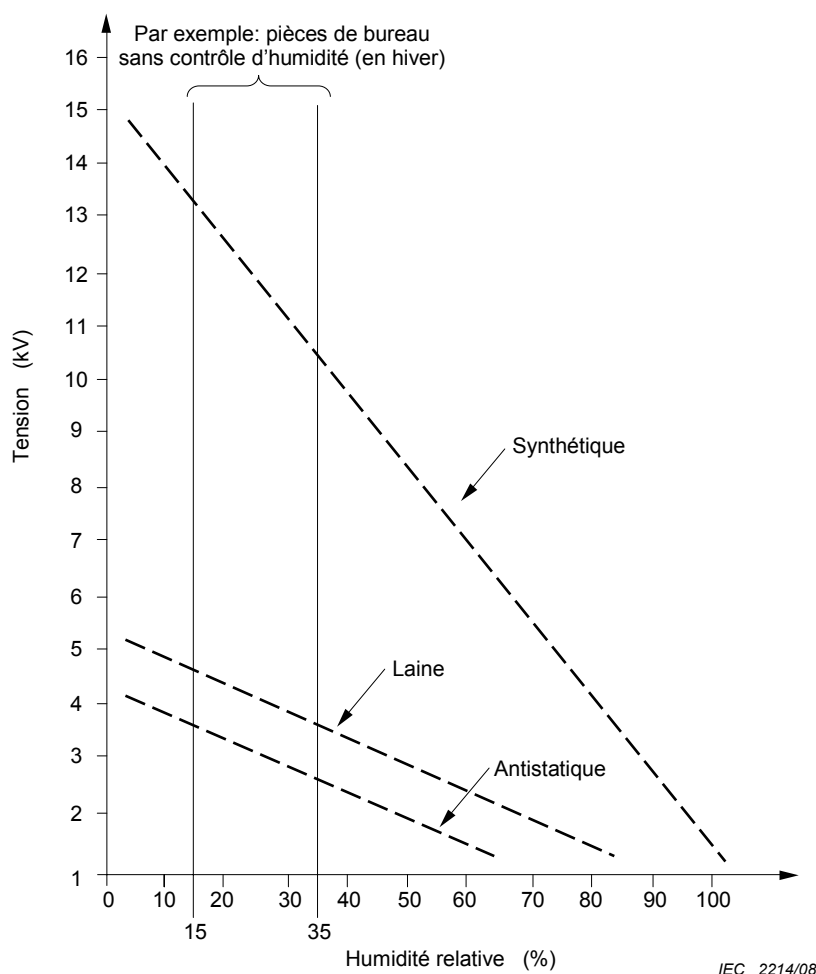


Figure A.1 – Valeurs maximales des tensions électrostatiques auxquelles les opérateurs peuvent être chargés lorsqu'ils sont en contact avec les matériaux mentionnés à l'Article A.2

A.3 Relation entre les conditions environnementales et le courant de décharge

Les niveaux de tension électrostatique déterminés dans les environnements d'utilisation ont été utilisés comme grandeur mesurable pour définir les exigences d'immunité. Cependant, il a été montré que le transfert d'énergie était une fonction du courant de décharge plutôt que, ou tout autant que, de la tension électrostatique existant avant la décharge. De plus, on a constaté que le courant de décharge était typiquement moins que proportionnel à la tension de prédécharge dans les gammes de niveaux plus élevés.

Les raisons possibles que l'on peut suggérer pour cette relation de non-proportionnalité entre la tension de prédécharge et le courant de décharge sont les suivantes:

- Il convient que la décharge de charges à haute tension se produise typiquement le long d'un arc long, ce qui augmente le temps de montée, en gardant par conséquent les composantes spectrales élevées du courant de décharge à des valeurs moins que proportionnelles à la tension de prédécharge.
- Les niveaux élevés de tension de charge se développent probablement plus à travers une petite capacité, à supposer que la quantité de charge soit constante pour un événement typique de génération de charge. A l'inverse, les tensions de charge élevées à travers des capacités importantes nécessiteraient un certain nombre d'événements de génération successifs qui ont moins de chances de se produire. Cela signifie que l'énergie de charge

tend à devenir constante entre les tensions de charge élevées trouvées dans l'environnement d'utilisation.

En conclusion, on peut dire que les exigences d'immunité pour un environnement d'utilisation donné doivent être définies en termes d'amplitudes du courant de décharge.

Ce concept une fois admis, la conception du matériel d'essai est facilitée. Les compromis lors du choix de la tension de charge et de l'impédance de décharge du matériel d'essai peuvent être appliqués de manière à obtenir les amplitudes de courant de décharge désirées.

A.4 Choix des niveaux d'essais

Il est recommandé de choisir les niveaux d'essais en fonction des conditions d'environnement et d'installation les plus réalistes. Des conseils sont donnés au Tableau A.1.

Tableau A.1 – Conseils pour le choix des niveaux d'essais

Classe	Humidité relative pouvant descendre jusqu'à %	Matériaux antistatiques	Matériaux synthétiques	Tension maximale kV
1	35	x		2
2	10	x		4
3	50		x	8
4	10		x	15

Les classes recommandées pour l'environnement et l'installation correspondent aux niveaux d'essais délimités à l'Article 5 de la présente norme.

Pour certains matériaux, par exemple le bois, le ciment et la céramique, le niveau probable n'excède pas le niveau 2.

Il est important, lors du choix du niveau approprié d'essai pour un environnement particulier, de comprendre les paramètres critiques de l'effet de DES.

Le paramètre le plus critique est probablement la vitesse de variation du courant de décharge, qui peut être obtenue à l'aide d'une variété de combinaisons de tensions de charge, de courants de décharge crête et de temps de montée.

Par exemple, la contrainte de DES exigée pour l'environnement des matériaux synthétiques à 15 kV est couverte plus que largement par l'essai à 8 kV/30 A Classe 4 en utilisant une décharge au contact, avec le générateur de DES défini dans la présente norme.

Cependant dans un environnement sec avec des matériaux synthétiques, des tensions supérieures à 15 kV peuvent apparaître.

Lorsque le matériel d'essai a des surfaces isolantes, on peut utiliser la méthode de décharge dans l'air avec des tensions allant jusqu'à 15 kV.

A.5 Choix des points d'essai

Les points d'essai à considérer peuvent, par exemple, comprendre les emplacements suivants lorsque cela est applicable:

- points situés sur des sections métalliques d'armoire isolées par rapport au sol;

- tout point de la zone de commande ou du clavier et tout point relatif à la communication homme-machine, tel que commutateurs, boutons, voyants, DEL, fentes, grilles, capots de bornes et autres zones accessibles par l'opérateur.

A.6 Justifications techniques de l'utilisation de la méthode de décharge au contact

D'une manière générale, la reproductibilité de la méthode de décharge dans l'air est influencée, par exemple par la vitesse d'approche de la tête de décharge, l'humidité et la construction du générateur de DES, ce qui conduit à des variations du temps de montée de l'impulsion et de l'amplitude du courant de décharge.

Dans les appareils d'essai de DES à décharge dans l'air, le phénomène de DES est simulé par la décharge sur l'EST d'un condensateur préalablement chargé, au travers d'une tête de décharge, celle-ci formant un éclateur avec la surface de l'EST.

L'étincelle est un phénomène physique très compliqué. Il a été montré qu'en utilisant un éclateur mobile, le temps de montée obtenu (ou pente ascendante) du courant de décharge peut varier entre moins de 1 ns et plus de 20 ns, lorsqu'on fait varier la vitesse d'approche.

Une vitesse d'approche constante ne donne pas nécessairement un temps de montée constant. Pour certaines combinaisons de tension et de vitesse, le temps de montée varie dans un rapport pouvant aller jusqu'à 30.

NOTE A des tensions élevées, la décharge dans l'air peut se produire dans des décharges successives multiples.

Un dispositif de déclenchement généralement connu pour être capable de produire des courants de décharge rapides et répétés est le relais. Il convient que celui-ci ait une tension de tenue suffisante et un contact isolé (pour éviter des décharges doubles dans la partie montante). Pour des tensions plus élevées, on peut utiliser profitablement des relais à vide. L'expérience montre que l'utilisation de relais comme dispositifs de déclenchement permet d'obtenir non seulement des formes de front de décharge plus reproductibles dans la partie montante, mais aussi des résultats d'essais plus reproductibles avec des EST réels.

En conséquence, le générateur de DES commandé par relais permet d'obtenir une impulsion de courant spécifiée (en amplitude et en temps de montée).

Ce courant est lié à la tension réelle de DES, comme cela est décrit à l'Article A.3.

A.7 Choix des éléments pour le générateur de DES

On doit utiliser une capacité d'accumulation qui soit représentative de la capacité du corps humain. On a déterminé qu'une valeur type de 150 pF était adaptée à cet effet.

Une résistance de 330 Ω a été choisie pour représenter la résistance source d'un homme tenant un objet métallique tel qu'une clé ou un outil. Il a été montré que cette situation de décharge via un objet métallique était suffisamment sévère pour représenter toutes les décharges dues à un corps humain pouvant se produire sur site.

A.8 Justification liée à la spécification du générateur

Différentes raisons ont été avancées comme étant la cause des différences de reproductibilité lors de l'application de l'essai de DES aux EST réels. Le montage d'essai, les questions d'étalonnage, etc. ont été examinés et des propositions ont été introduites dans la présente publication.

Des modifications de la spécification relative au générateur de DES ont aussi été examinées, mais aucune modification n'est proposée dans la présente publication. On trouvera ci-après un résumé des points justifiant cette décision.

Les deux raisons techniques potentielles concernant la spécification du générateur qui ont été présentées comme la cause des difficultés de reproductibilité sont:

- la forme de l'onde du courant de décharge du générateur après la première crête c'est-à-dire entre 2 ns et 60 ns;
- le champ E rayonné par le générateur lorsque la décharge électrostatique est appliquée à l'EST.

La première raison a été traitée par l'équipe de maintenance et une tolérance de $\pm 35\%$ de la forme idéale représentée à la Figure 2 a été spécifiée entre 2 ns et 60 ns. Au cours de l'établissement de la présente norme, cette modification potentielle de la spécification du courant de décharge a été encore modifiée pour contrôler le temps de descente de la première crête à $(2,5 \pm 1)$ ns à 60 % de la crête initiale.

Des essais interlaboratoires ont été conduits sur différents EST dans trois laboratoires différents avec deux types de générateurs. Le premier type de générateur était conforme à la CEI 61000-4-2 Edition 1 et le deuxième intégrait la spécification supplémentaire donnée ci-dessus. Cinq générateurs différents de chaque type ont été fournis par cinq fabricants différents.

Les résultats des essais interlaboratoires du générateur de DES modifié ont été en résumé les suivants:

- une variation du niveau d'essai auquel les EST examinés ont été affectés a été observée entre les différents générateurs de DES;
- la modification de la forme de l'onde de décharge a semblé nettoyer les formes du courant de décharge tant dans le domaine temporel qu'en fréquence;
- toutefois, la nouvelle forme de l'onde n'a pas donné d'amélioration significative de la reproductibilité des résultats d'essai des EST réels.

La deuxième raison a été examinée, toutefois les ressources nécessaires pour entreprendre une nouvelle série d'essais interlaboratoires seraient très importantes, sans que cela garantisse que ce paramètre soit la cause des problèmes de reproductibilité. Une étude technique de grande envergure est nécessaire, pour quantifier les impacts des champs rayonnés sur les EST réels et comprendre comment contrôler les paramètres associés qui affectent la reproductibilité des résultats d'essai.

Il a été estimé que les modifications introduites dans la présente publication amélioreraient la reproductibilité des essais. Des investigations supplémentaires pourraient être proposées en vue des futures éditions de la présente norme afin d'estimer l'impact du rayonnement du champ E sur la reproductibilité.

Annexe B (normative)

Etalonnage du système de mesure du courant et mesure du courant de décharge

B.1 Spécification cible actuelle – impédance d'entrée

La cible de courant coaxiale utilisée pour mesurer le courant de décharge des générateurs de DES doit présenter une impédance d'entrée, mesurée entre l'électrode interne et le sol de $2,1 \Omega$ au plus en courant continu.

NOTE 1 La cible est supposée mesurer le courant de DES dans un plan de sol parfait. Pour réduire l'erreur causée par la différence entre un plan parfaitement conducteur et l'impédance d'entrée de la cible, une limite de $2,1 \Omega$ a été fixée pour l'impédance d'entrée. Mais si l'impédance d'entrée de la cible est trop faible, le signal de sortie sera très faible ce qui peut causer des erreurs dues au couplage vers les câbles et vers l'oscilloscope. De plus, si une valeur de résistance bien plus faible est utilisée, l'inductance parasite devient plus sévère.

NOTE 2 L'impédance d'entrée et l'impédance de transfert (Z_{sys} , Article B.3) peuvent être mesurées avec une précision élevée en courant continu ou à basse fréquence.

B.2 Spécification de la cible de courant – perte d'insertion

B.2.1 Chaîne de mesure

Au lieu de spécifier la perte d'insertion de la cible du courant coaxiale, on spécifie la perte d'insertion de la chaîne de mesure qui comprend la cible, l'atténuateur et le câble. Ceci simplifie la caractérisation du système de mesure, dans la mesure où seule cette chaîne et l'oscilloscope doivent être caractérisés au lieu de chaque élément individuellement.

La variation de la perte d'insertion de la chaîne cible-atténuateur-câble ne peut pas dépasser:

$\pm 0,5$ dB, jusqu'à 1 GHz;

$\pm 1,2$ dB, 1 jusqu'à 4 GHz.

par rapport à la valeur nominale S_{21} de la perte d'insertion:

$S_{21} = 20 \log [2Z_{sys}/(R_{in} + 50 \Omega)]$ dB, où R_{in} est l'impédance d'entrée en courant continu de la chaîne cible-atténuateur-câble, avec une charge de 50Ω .

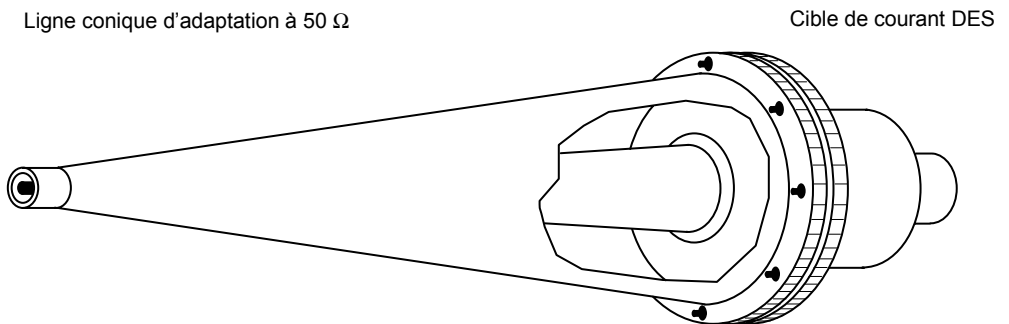
NOTE 1 Différents intervalles de temps d'étalonnage peuvent être utilisés pour l'impédance de transfert en courant continu et les mesures de perte d'insertion les plus concernées. Si une mesure d'impédance de transfert en courant continu répétée montre un résultat qui diffère de la mesure initiale de moins de 1 %, l'utilisateur peut estimer que la perte d'insertion de la chaîne cible-atténuateur-câble n'a pas varié, sous réserve que le même câble et le même atténuateur soient utilisés et qu'il n'y ait pas d'indications contraires (par exemple connecteurs desserrés ou endommagés).

NOTE 2 Il convient que la chaîne cible-atténuateur-câble soit toujours considérée comme une entité. Dès qu'un seul élément est échangé ou même en cas de démontage et de ré-assemblage, l'ensemble de la chaîne doit être ré-étalonnée pour s'assurer de la conformité à la spécification.

B.2.2 Ligne d'adaptation de la cible

La ligne d'adaptation de la cible représentée à la Figure B.1 connecte un câble coaxial de 50Ω à l'entrée de la cible de courant de DES. Géométriquement, elle s'étend régulièrement du diamètre du câble coaxial vers le diamètre de la cible. Si la cible est faite de telle manière que l'impédance calculée à partir du rapport du diamètre " a " au diamètre " D " (voir Figure B.2)

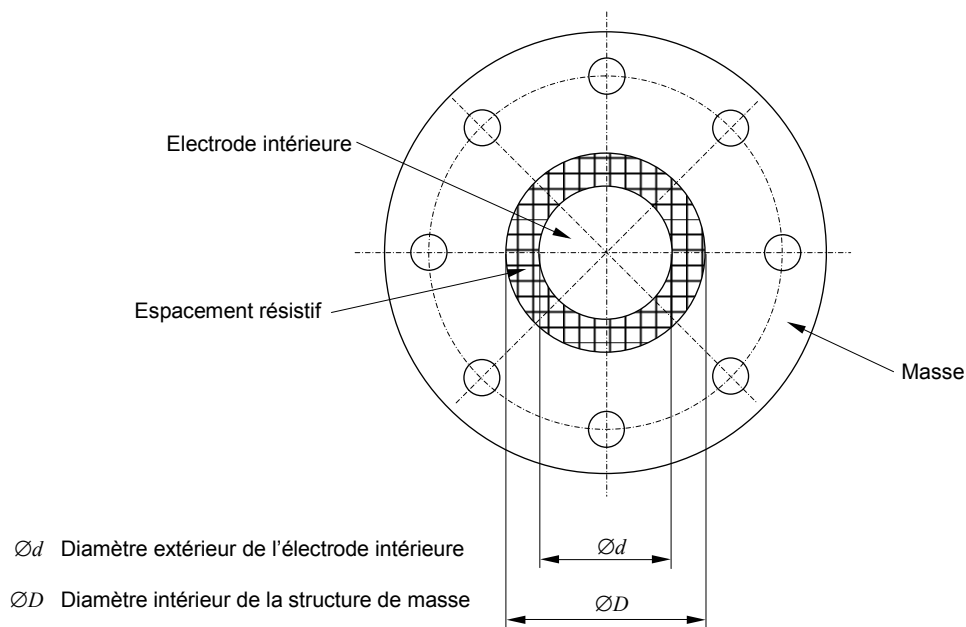
n'est pas égale à 50 Ω, la ligne d'adaptation de la cible doit être réalisée de telle manière que le diamètre extérieur de son conducteur intérieur soit égal au diamètre de l'électrode interne de la cible de courant. L'impédance doit être calculée en utilisant la constante diélectrique du matériau qui remplit la ligne conique d'adaptation (typiquement de l'air). La ligne d'adaptation de la cible doit maintenir $(50 \pm 1) \Omega$ dans les limites d'une largeur de bande de 4 GHz. L'affaiblissement de réflexion de deux lignes d'adaptation de la cible placées face à face, doit être meilleur que 30 dB jusqu'à 1 GHz et meilleur que 20 dB jusqu'à 4 GHz, avec une perte d'insertion totale inférieure à 0,3 dB jusqu'à 4 GHz.



IEC 2215/08

NOTE D'autres formes que la forme conique sont acceptables.

Figure B.1 – Exemple d'une ligne d'adaptation de la cible fixée à la cible de courant



IEC 2216/08

Figure B.2 – Exemple de face avant d'une cible de courant

B.2.3 Détermination de la perte d'insertion d'une chaîne cible de courant-atténuateur-câble

La perte d'insertion de la chaîne est déterminée avec un analyseur de réseaux VECTORIEL (VNA, *Vector Network Analyzer*). D'autres systèmes peuvent aussi être utilisés pour mesurer la perte d'insertion d'amplitude sous réserve qu'une précision suffisante puisse être obtenue.

La procédure de mesure pour la perte d'insertion est la suivante:

- Etalonner l'analyseur de réseaux aux points d'étalonnage représentés à la Figure B.3 (entre atténuateur et cible et entre atténuateur et ligne d'adaptateur cible).

NOTE 1 Si aucun analyseur de réseaux n'est utilisé, la procédure doit être modifiée en conséquence.

NOTE 2 Au lieu du courant continu, il convient que la fréquence la plus faible disponible avec l'analyseur de réseaux soit utilisée. Les caractéristiques continues sont mesurées séparément.

NOTE 3 Il convient que la stabilité du contact central des lignes d'adaptation ou de la ligne d'adaptation et de la cible soit vérifiée par des mesures répétées, par une déconnexion et une reconnexion des dispositifs utilisant différents angles d'axe.

- Connecter une ligne d'adaptation de cible à une chaîne cible-atténuateur (≥ 20 dB) -câble et l'insérer comme indiqué à la Figure B.3.
- Mesurer la perte d'insertion.

La variation de la perte d'insertion doit satisfaire aux exigences de l'Article B.2.

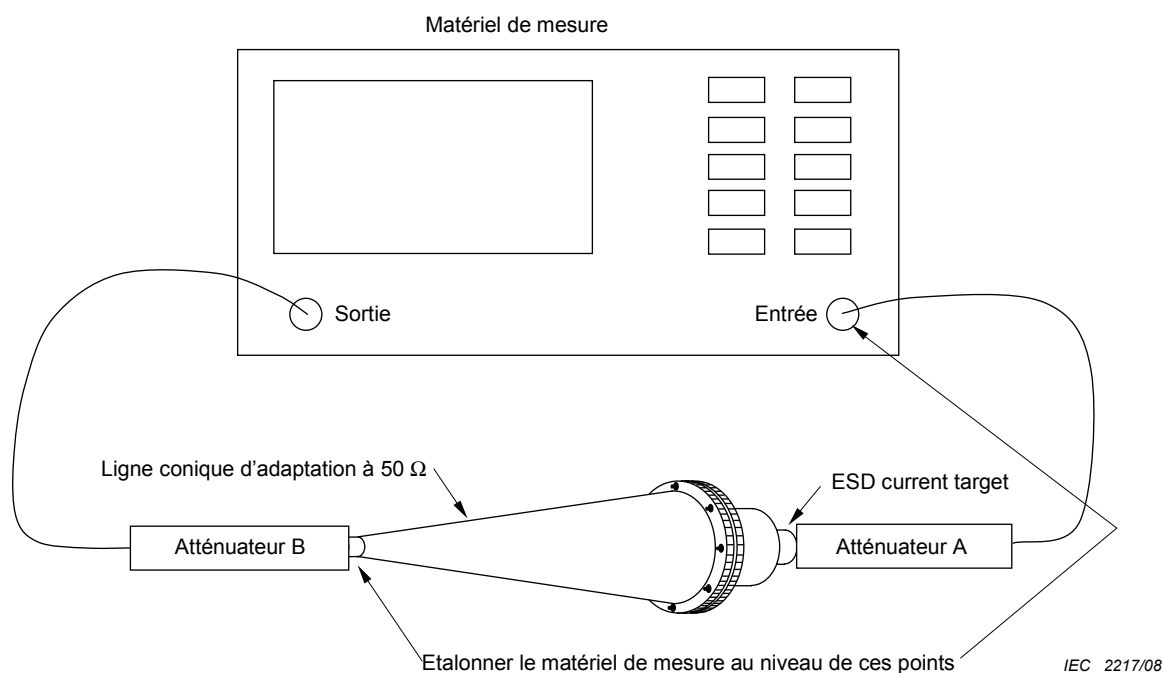


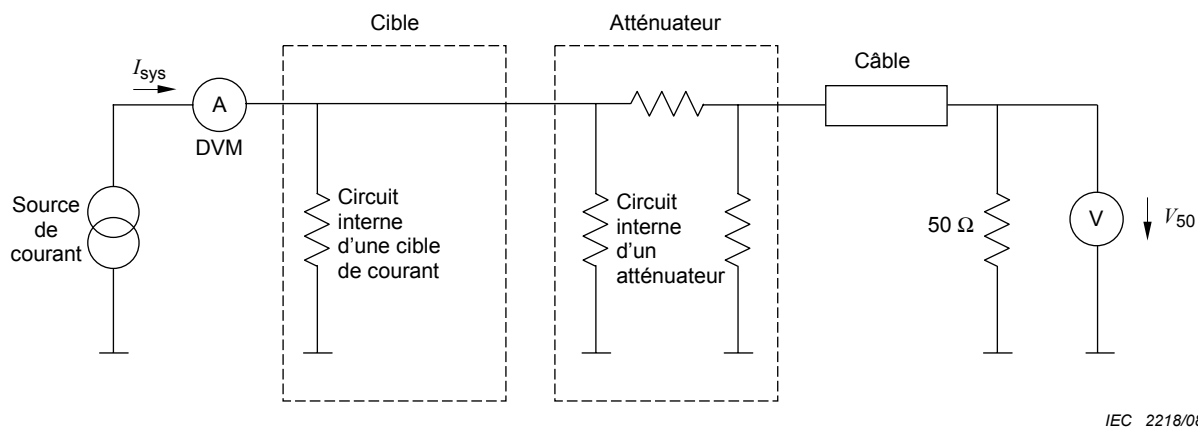
Figure B.3 – Exemple de mesure de la perte d'insertion d'une chaîne cible de courant-atténuateur-câble

B.3 Détermination de l'impédance de transfert à basse fréquence d'une chaîne cible-atténuateur-câble

L'impédance de transfert à basse fréquence d'une chaîne cible-atténuateur-câble est définie comme le rapport entre le courant injecté à l'entrée de la cible et la tension qui traverse une

charge de précision de 50 Ω à la sortie du câble (c'est à dire qui est placée à l'extrémité du câble au lieu de l'oscilloscope).

Dans une mesure de DES, un oscilloscope affiche une tension V_{osc} si un courant I_{sys} est injecté dans la cible. Pour calculer le courant inconnu de la tension affichée, la tension est divisée par une impédance de transfert système à basse fréquence Z_{sys} .



IEC 2218/08

Figure B.4 – Schéma de circuit pour déterminer l'impédance de transfert de système à basse fréquence

NOTE 1 Le circuit interne de la cible représentée est juste un exemple. D'autres circuits internes sont possibles.

L'impédance de transfert système à basse fréquence de la chaîne cible-atténuateur-câble peut être déterminée comme suit:

- En injectant un courant I_{sys} d'environ 1 A dans la face avant de la cible de courant. La face avant est le côté sur lequel les décharges sont effectuées.
- Z_{sys} est la grandeur clé pour l'étalonnage du générateur. La charge de 50 Ω doit avoir une tolérance de ±1 % au maximum.
- En mesurant la tension V_{50} à travers la charge de précision 50 Ω.
- Calculer l'impédance de transfert par :

$$Z_{sys} = \frac{V_{50}}{I_{sys}}$$

NOTE 2 Pour vérifier que les tensions thermiques n'influencent pas les résultats, la mesure peut être réalisée avec un courant positif et un courant négatif. Il convient que les deux résultats se situent à moins de 0,5 % l'un de l'autre.

D'autres méthodes pour déterminer les caractéristiques de transfert de toute la chaîne cible-atténuateur-câble peuvent être utilisées.

B.4 Etalonnage du générateur de DES

B.4.1 Résultat d'étalonnage

Il est extrêmement important de disposer d'un résultat d'étalonnage comparable pour une évaluation de DES. Ceci est particulièrement le cas lorsque les essais doivent être conduits en utilisant des générateurs de DES de différents fabricants, ou lorsque des essais sont prévus pour s'étaler dans le temps. Il est essentiel que la répétabilité soit un facteur décisif dans l'évaluation. Le générateur de DES doit être étalonné selon une périodicité définie, suivant un système reconnu d'assurance qualité.

NOTE Le processus contenu dans la présente annexe est donné à des fins d'étalonnage. Une procédure différente est donnée en 6.3 pour la vérification du générateur avant les essais.

L'étalonnage du générateur de DES doit être réalisé dans les limites de la plage des conditions climatiques comme spécifié en 8.1.2.

B.4.2 Matériel d'essai exigé pour l'étalonnage du générateur de DES

Le matériel suivant est exigé pour l'étalonnage des générateurs de DES:

- oscilloscope avec largeur de bande suffisante (largeur de bande analogique ≥ 2 GHz);
- chaîne cible de courant coaxiale-atténuateur-câble;
- appareil de mesure haute tension capable de mesurer des tensions de mesure d'au moins 15 kV. Il peut être nécessaire d'utiliser un voltmètre électrostatique pour éviter de charger la tension de sortie;
- un plan d'étalonnage vertical avec cible de courant coaxiale, montée de telle sorte qu'il y ait au moins 0,6 m entre la cible et tout bord du plan;
- un(des) atténuateur(s) avec une capacité de puissance suffisante en fonction des besoins.

NOTE Un exemple de cible de courant coaxiale adaptée est donné à l'Annexe C.

B.4.3 Procédure pour l'étalonnage du générateur de mode de contact

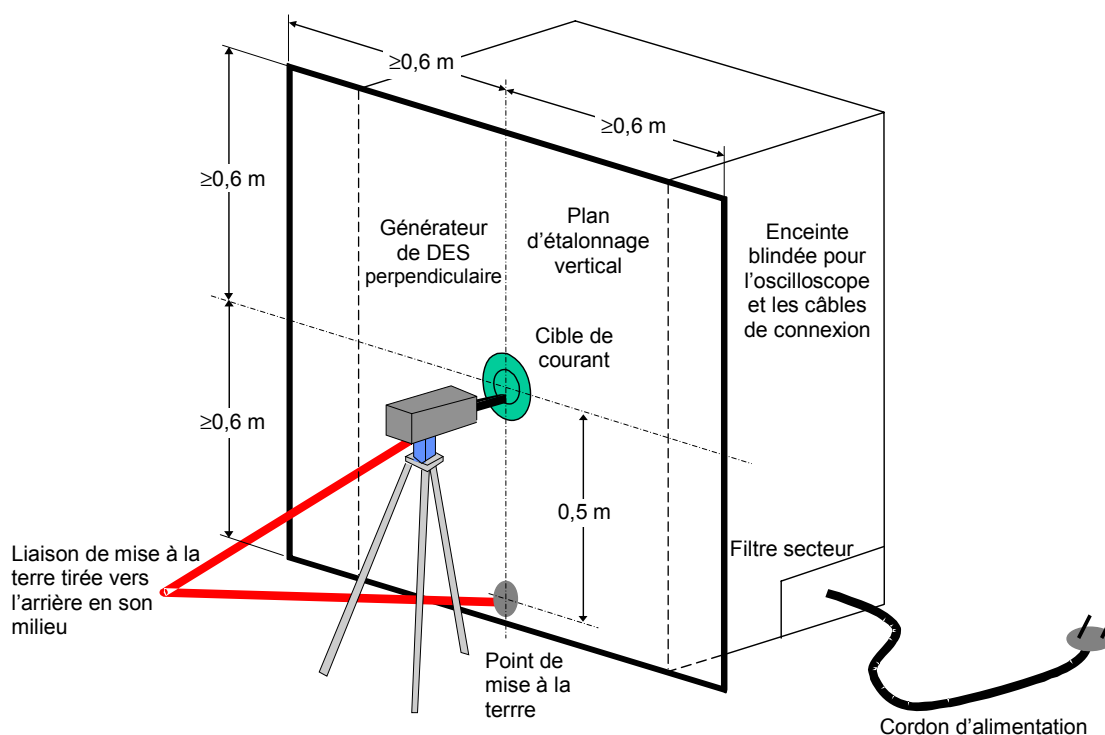
La cible de courant doit être montée au centre du plan d'étalonnage vertical en satisfaisant les exigences en B.4.2. La connexion du câble de courant de retour du générateur de DES (raccord à la masse) doit être réalisée au centre du plan, bas du plan 0,5 m sous la cible. Le raccord à la masse doit être tiré vers l'arrière au milieu du câble en formant un triangle isocèle. Il n'est pas autorisé de laisser le raccord à la masse sur le sol au cours de l'étalonnage.

Suivre les étapes ci-dessous pour vérifier si la forme d'onde du courant d'un générateur de DES se situe dans les limites des spécifications. Enregistrer la forme d'onde et mesurer les paramètres suivants:

- | | |
|----------|--|
| I_p | la valeur de crête du courant de décharge [A]; |
| I_{30} | la valeur du courant 30 ns après que le courant de crête a atteint 0,1 fois I_p [A]; |
| I_{60} | la valeur du courant 60 ns après que le courant de crête a atteint 0,1 fois I_p [A]; |
| t_r | le temps de montée du courant [ns]. |

Tableau B.1 – Procédure d'étalonnage de décharge au contact

Etape	Explication
Décharger le générateur de DES à chaque niveau d'essai comme cela est défini au Tableau 1 cinq fois pour les deux polarités, enregistrer chaque résultat.	Les spécifications doivent être satisfaites pour les 5 décharges.
Mesurer I_p , I_{30} , I_{60} , t_r sur chaque forme d'onde.	Les paramètres doivent être vérifiés à chaque niveau d'essai
Courant à 30 ns Vérifier si I_{30} est égal à $2 A \pm 30 \%$	Les paramètres doivent être vérifiés à chaque niveau d'essai ^a
Courant à 60 ns Vérifier si I_{60} est égal à $1 A \pm 30 \%$	Les paramètres doivent être vérifiés à chaque niveau d'essai ^a
Valeur de crête du courant Vérifier si I_p est égal à $3,75 A \pm 15 \%$	Les paramètres doivent être vérifiés à chaque niveau d'essai ^a
Temps de montée Vérifier si t_r est égal à $0,8 ns \pm 25 \%$	Les paramètres doivent être vérifiés à chaque niveau d'essai
^a La valeur du courant donnée dans ce tableau correspond à une tension de 1 kV. Cette valeur mesurée varie proportionnellement à la tension du générateur.	



IEC 2219/08

NOTE 1 Il convient d'installer le générateur sur un trépied ou sur un support non métallique à faible perte équivalent.

NOTE 2 Il est recommandé d'alimenter le générateur de la même manière que lorsqu'il sera utilisé au cours de l'essai.

NOTE 3 Un dispositif inverse à celui de la Figure B.5 peut être utilisé.

Figure B.5 – Arrangement type pour l'étalonnage des performances du générateur de DES

Le blindage de l'oscilloscope n'est pas nécessaire s'il peut être prouvé par des mesures que des chemins de couplage indirect sur le système de mesure n'influencent pas les résultats de l'étalonnage.

Le système d'étalonnage peut être déclaré suffisamment immunisé (c'est-à-dire qu'une cage de Faraday n'est pas nécessaire) s'il n'y a pas de déclenchement de l'oscilloscope lorsque:

- le niveau de déclenchement de l'oscilloscope est réglé sur $\leq 10\%$ du niveau d'essai le plus faible, et,
- le générateur de DES est déchargé avec le niveau d'essai le plus élevé vers l'anneau extérieur de la cible (au lieu de l'anneau intérieur).

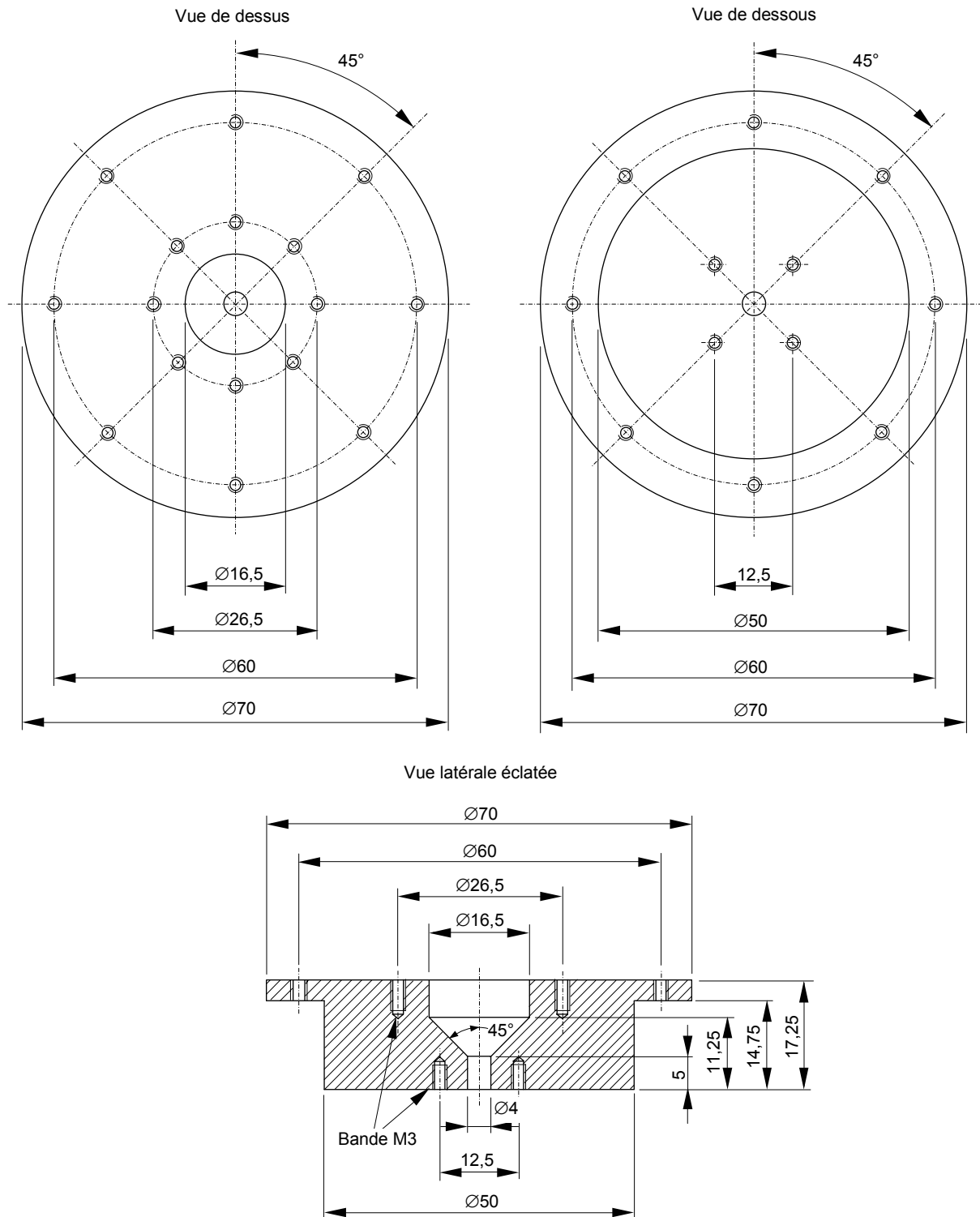
Annexe C (informative)

Exemple d'une cible d'étalonnage satisfaisant aux exigences de l'Annexe B

Les Figures C.1 à C.5 donnent des détails de construction d'une cible qui satisfait aux exigences de l'Annexe B. Cette cible est conçue pour donner une perte d'insertion plate si 1 m de câble RG 400 est utilisé. Il est suggéré de connecter un atténuateur de 20 dB ou plus directement à l'accès de sortie de la cible pour éviter les réflexions multiples.

NOTE Les Figures C.1 à C.5 sont des exemples; par conséquent aucune tolérance n'est spécifiée.

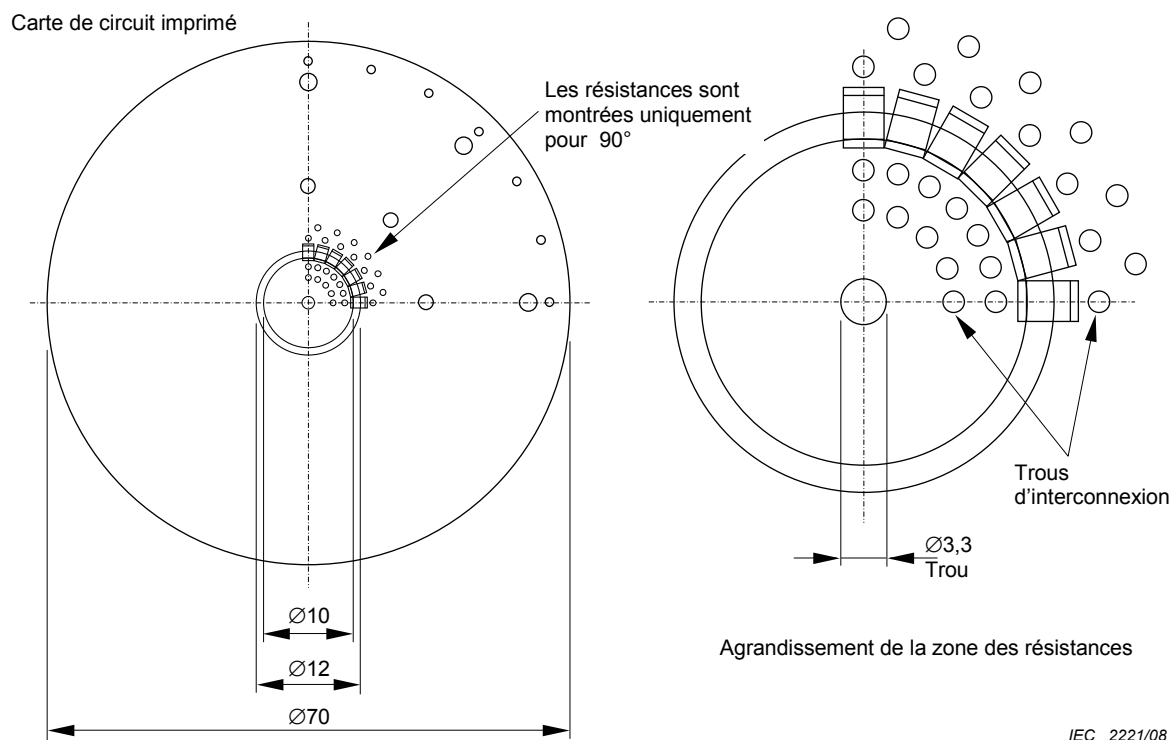
Partie centrale en laiton – Approximativement 1:1



IEC 2220/08

Dimensions en millimètres

Figure C.1 – Dessin mécanique d'une cible coaxiale (dessin 1 sur 5)



IEC 2221/08

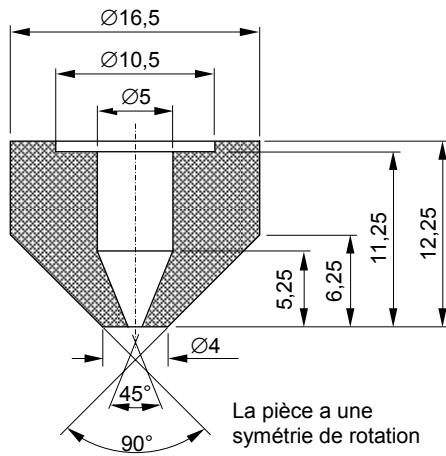
Dimensions en millimètres

Légendes

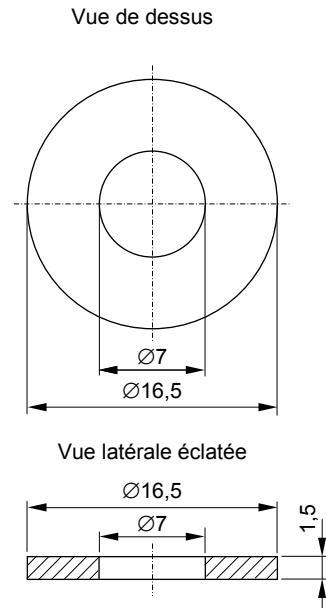
Taille des résistances	0805
Valeur	51 Ω
Placement	en contact, exactement symétrique (utiliser un modèle)
Matériau	0,5 mm FR-4, plaqué or
Trous d'interconnexion	Deux anneaux de trous d'interconnexion sur chaque côté des résistances plus un anneau près du bord extérieur de la carte de circuit imprimé. Environ 25 résistances sont nécessaires

Figure C.2 – Dessin mécanique d'une cible coaxiale (dessin 2 sur 5)

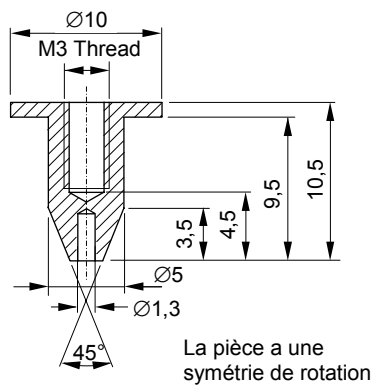
PTFE-partie I – Approximativement 2:1



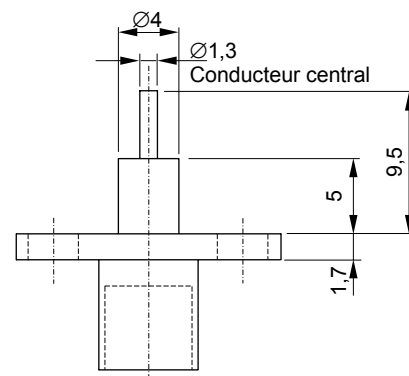
PTFE-partie II – Approximativement 2:1



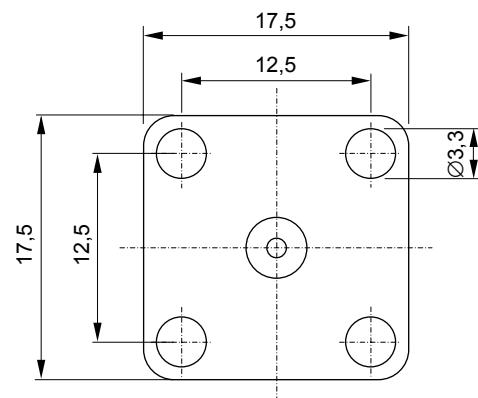
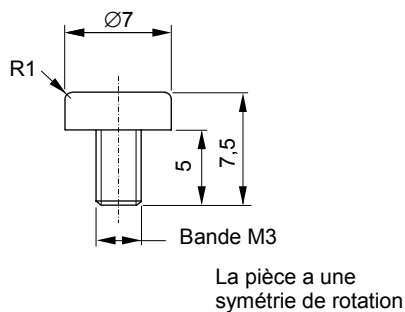
Conducteur central laiton – Approximativement 2:1



SMA-connecteur – Approximativement 2:1



Partie supérieure du conducteur central acier inoxydable – Approximativement 2:1



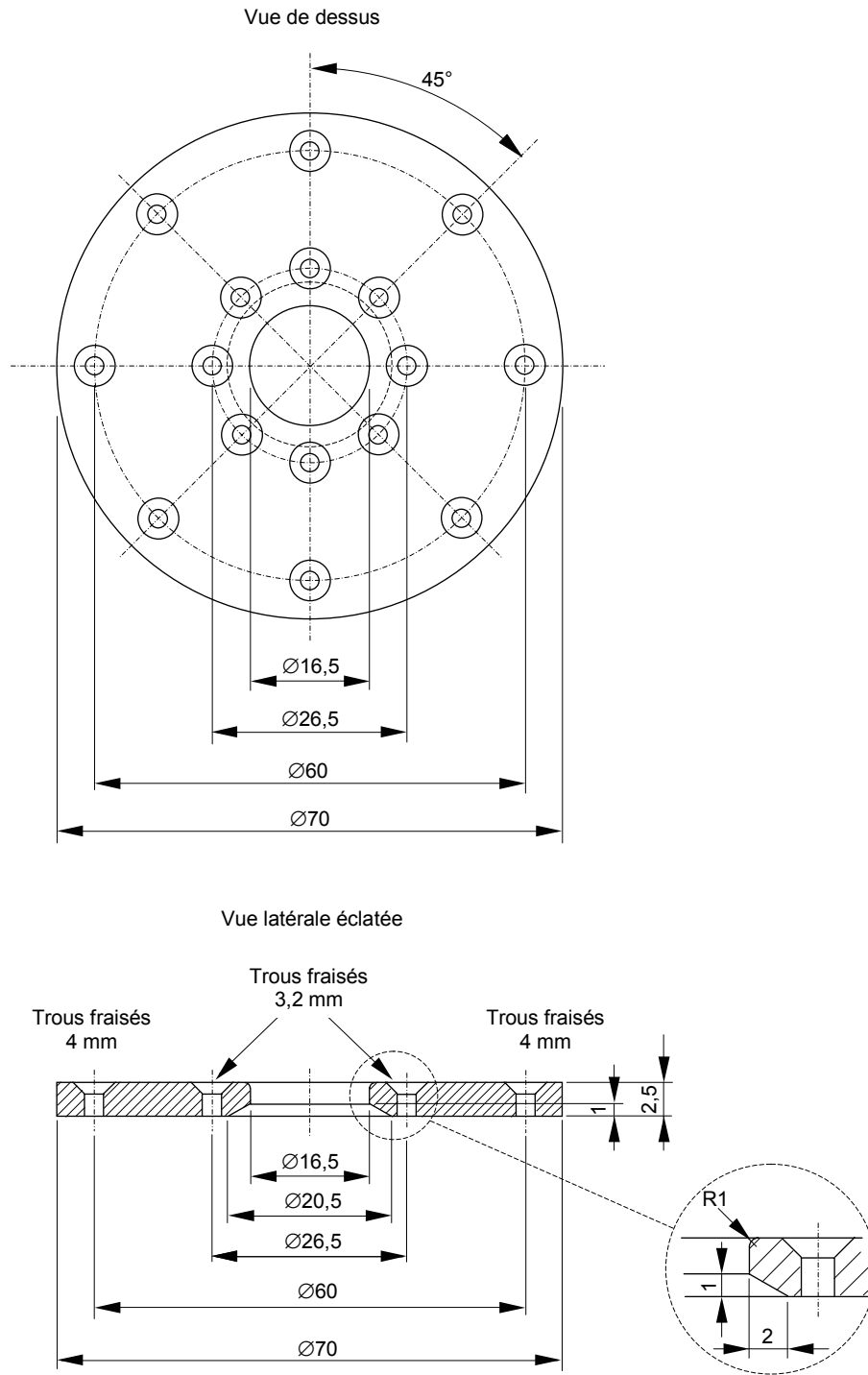
Un conducteur similaire de type N peut être utilisé en variante

IEC 2222/08

Dimensions en millimètres

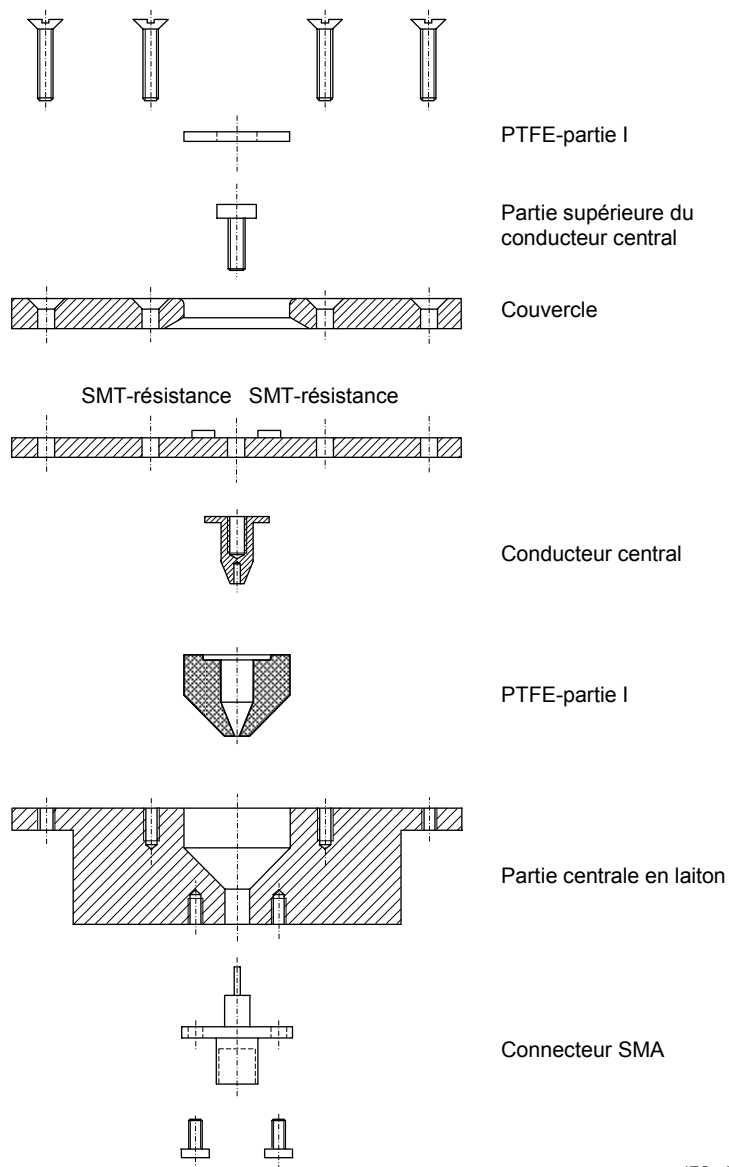
Figure C.3 – Dessin mécanique d'une cible coaxiale (dessin 3 sur 5)

Couvercle: acier inoxydable – Approximativement 1:1



Dimensions en millimètres

Figure C.4 – Dessin mécanique d'une cible coaxiale (dessin 4 sur 5)



IEC 2224/08

Figure C.5 – Dessin mécanique d’une cible coaxiale (dessin 5 sur 5)

Annexe D (informative)

Champs rayonnés par les décharges personne-métal et les générateurs de DES

D.1 Vue d'ensemble des processus qui causent des champs désirés et non désirés

D.1.1 Généralités

La décharge électrostatique provenant d'une personne (via une petite pièce de métal tenue à la main) est la base de la forme d'onde du courant spécifiée dans la présente norme et dans les normes qui l'ont précédée. Cette décharge provenant d'une personne ainsi que la décharge provenant d'un générateur de DES, sont responsables de la production des champs électromagnétiques élevés associés.

Les paragraphes suivants reprennent d'abord le déroulement du processus de la décharge provenant d'une personne, puis ils présentent ce qui se passe dans le cas d'un générateur de DES.

D.1.2 DES provenant d'une personne

Pour un événement de DES provenant d'une personne et allant vers un EST, il se produira la séquence d'évènements suivante:

- a) Lorsque la pièce de métal tenue à la main approche d'une surface métallique d'un EST et avant la décharge de courant, un champ électrostatique existe. Il n'y a pas (ou seulement très peu) de courant qui passe et aucun champ magnétique correspondant n'est présent.
- b) Une fois la décharge initiée entre la pièce de métal tenue à la main et l'EST, le champ électrostatique s'effondre dans l'espace qui sépare les deux éléments. Partant de sa valeur initiale, il se réduit à une tension à travers l'espace d'environ 25 V à 40 V en 50 ps à 5 ns. La durée de chute dépend des paramètres d'arc, tension etc. La chute initiale du champ électrique est la première étape d'une série d'évènements qui causent des champs électromagnétiques transitoires élevés.
- c) Un courant commence à s'écouler sur la pièce de métal tenue par la personne et sur l'EST. Le front de courant le plus en avant s'étend à la vitesse de la lumière et en environ 0,8 ns, il atteint le bras de la personne. Comme le courant continue à s'étendre sur l'EST et sur le bras, il connaîtra des réflexions et des pertes dues au rayonnement et à la résistance conduisant à une structure complexe de densité de courant à la fois sur l'EST et sur la personne.
- d) Comme le processus de décharge continue, les composantes de fréquence les plus élevées du courant seront rapidement atténuées principalement en raison des rayonnements. Le courant devient alors plus lisse (c'est-à-dire avec moins de hautes fréquences) au fur et à mesure où le temps passe, puis le corps atteint un nouvel équilibre électrostatique avec l'EST. Toutefois, la charge restante du corps, peut ne peut pas être nulle dans la mesure où l'arc pourrait s'éteindre avant que le corps se soit complètement déchargé. Si la main et l'objet en métal continuent de s'approcher de l'EST, une deuxième décharge pourrait apparaître à une tension inférieure conduisant à une séquence de DES, chacune à une tension plus faible et chacune ayant un temps de montée plus rapide (attribué en partie à la tension plus faible).
- e) Au cours de chaque séquence de décharges, un observateur situé en un point quelconque de la main, du corps ou de l'EST, observera une densité de charge avant la décharge, au cours de la phase de décharge un courant changeant rapidement et après la décharge, une charge restant faible.

- f) D'après la théorie des antennes, il est connu que les variations de densités de charge et de courant causeront des champs rayonnés. A proximité immédiate, les champs sont dominés par le courant et la charge directement et à des distances plus importantes, le courant et la dérivée du temps de charge détermineront les champs. La région de transition entre les champs à proximité immédiate (champ proche) et les champs vus à une distance plus importante (champ lointain) est plus complexe. Les mesures et les simulations ont montré que les champs transitoires de DES, au moins pour les premières nanosecondes les plus perturbatrices, atteignent les conditions de champ lointain à une distance de 10 cm de l'arc.
- g) On déduit de ce qui est indiqué ci-dessus que le courant et la dérivée du temps de charge sont très importants en ce qui concerne le dérèglement (erreur non destructive) des systèmes électroniques.
- h) *Il est important de noter:* Dans une décharge provenant d'une personne, les dérivées du courant et de la charge sont déterminées par la durée de chute de la tension dans l'arc. Ainsi le temps de montée du courant au niveau de la décharge détermine les composantes à hautes fréquences.

Ce qui précède montre clairement que les champs transitoires d'une DES personne-métal constituent une partie importante du processus de DES. Un générateur de DES idéal les reproduirait d'une manière quantifiée. Les intensités de champ des DES personne-métal etc. sont bien connues.

D.1.3 Générateur de DES

L'étape suivante consiste à analyser et à comparer le processus qui se manifeste dans les générateurs de DES actuels. Comme la plupart des essais de DES sont réalisés en mode au contact, pour des raisons de reproductibilité, ce qui suit est limité aux générateurs de DES en mode au contact.

- a) La tête de décharge du générateur de DES est mise en contact avec une partie reliée à la terre (dans la plupart des cas) de l'EST.
- b) Avant la décharge, un condensateur est chargé dans le générateur de DES. Dans de nombreuses conceptions, la majeure partie du champ électrostatique résultant du processus de charge est confinée dans le générateur de DES. Il en résulte que le champ électrostatique à proximité avant la décharge, est très inférieur au champ électrostatique que l'on mesurerait au même point dans le cas d'une personne chargée avec la même tension.
- c) La décharge est initiée par la fermeture d'un relais interne vers le générateur de DES. La conception de ces relais spéciaux permet une très bonne reproductibilité du courant de décharge, toutefois comme le relais est interne et n'est pas situé au point auquel le générateur de DES touche l'EST, le déclenchement du flux du courant de décharge est assez différent de celui d'une décharge provenant d'une personne.
- d) Les durées de chute de tension dans le relais sont très rapides, certainement inférieures à 100 ps, ce qui donne une onde de courant sortant du relais dans toutes les directions et sur toutes les pièces de métal en contact et autres pièces de métal à proximité. L'onde de courant se propagera à la vitesse de la lumière (à vitesse réduite dans les diélectriques). Le temps de montée de cette onde de courant est égal à la durée de chute de la tension.
- e) La durée de chute de la tension est inférieure à 100 ps, mais la présente norme exige un temps de montée du courant de $(0,8 \pm 0,2)$ ns mesuré au point de contact avec la cible. Pour obtenir ceci, des mesures sont conçues pour les générateurs de DES, qui augmentent le temps de montée de la très faible valeur dans le relais à des valeurs normalisées à la tête de décharge.
- f) Les champs transitoires sont causés par *toutes* les dérivées temporelles du courant et les dérivées temporelles de la densité de charge. Une différence importante entre la décharge provenant d'un générateur et celle provenant d'une personne avec du métal doit être notée: dans le cas de la décharge d'une personne, le temps de montée du courant au niveau de l'arc est le processus le plus rapide et il détermine le spectre des champs transitoires. Toutefois, avec un générateur de DES en mode au contact, le

spectre à haute fréquence est déterminé par la chute de tension du relais, pas par le temps de montée du courant au point de décharge.

- g) Dans la mesure où les courants qui varient dans le générateur créent des champs transitoires, il y a une contribution des courants qui dans le relais montent en 100 ps aux champs transitoires provenant d'un générateur de DES, ainsi qu'une contribution des courants montant en $(0,8 \pm 0,2)$ ns au point de décharge. Les champs transitoires créés par les événements les plus rapides dans le générateur sont en général des champs transitoires non désirés, dans la mesure où ils augmentent la part haute fréquence de ces champs rayonnés au-delà de ceux développés à partir d'une décharge personne-métal équivalente, ayant le même temps de montée et la même valeur de crête au point de décharge.

A partir de ce qui précède, on peut voir que la force de la contribution des courants à montée rapide aux champs transitoires dépend beaucoup de la conception du générateur de DES. Cette contribution de champ pourrait très bien être supprimée ou elle pourrait dominer les champs transitoires dans tout générateur donné. Malheureusement, ces contributions ne sont pas définies dans la présente norme, ce qui donne la possibilité qu'au cours des essais de DES, les dysfonctionnements puissent être fortement dépendants du générateur spécifique utilisé.

D.2 Réactions de l'EST aux essais de DES

Au cours d'un essai de DES, la réponse d'un EST à une large gamme de perturbations électriques est testée. Cette gamme comprend: La tension pour claquage diélectrique, le claquage secondaire au niveau d'un espace éloigné du point d'injection, le courant pour la chute RI, le champ magnétique pour la chute en Ldi/dt , les champs magnétiques pour la tension induite et les champs électriques pour les tensions induites (les champs peuvent être à la fois en champs lointains et en champs proches). A cet égard, un essai de DES diffère d'un essai aux interférences électromagnétiques en combinant de multiples essais en un seul.

On trouvera ci-dessous des exemples de défaillances de l'EST dues aux différentes perturbations de l'essai de DES:

- décharge dans la broche d'un connecteur causant des dommages à un CI;
Dans cet exemple, *l'énergie dissipée* dans le CI, le courant maximal ou la charge transférée par le CI, détermineront le plus vraisemblablement le seuil de dommage.
- la décharge à travers un espace dans une enveloppe plastique permettant à une étincelle d'atteindre un CI;
Dans ce cas, l'essai de DES détermine l'intensité du *claquage diélectrique* de l'espace à travers le joint plastique.
- décharge sur un châssis causant le dérèglement du système contenu dans le châssis.
Dans cet exemple, il est très vraisemblable que les *champs transitoires* de l'événement DES couplés aux pistes, fils ou directement aux CI du système, créent des tensions ou des courants qui dérègleront la fonction logique du système.

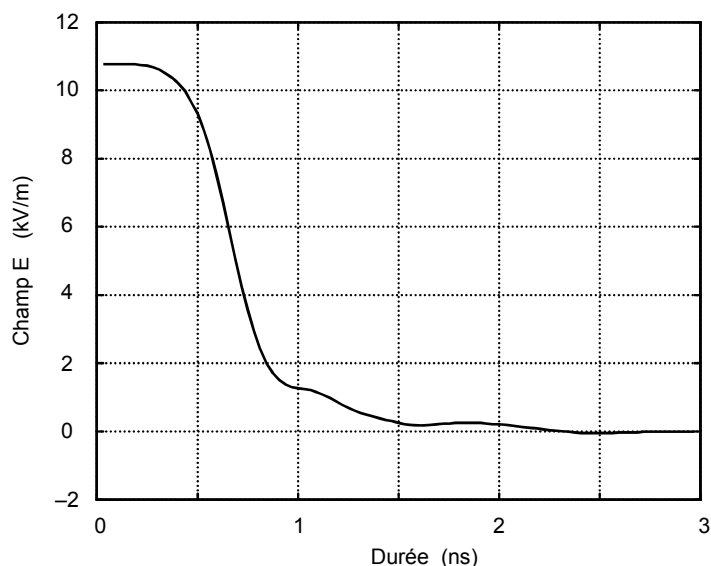
Le mécanisme de couplage du courant à l'intérieur du générateur de DES vers les champs est dominé par la dérivée temporelle du courant, même à des distances relativement modérées de 20 cm par exemple. En outre, le couplage entre le champ et un fil, une piste ou un CI dans un EST, dépend de la vitesse de variation du champ électrique et du champ magnétique. En résumé: Les dérivées temporelles impliquées à la fois dans la création du champ et dans le processus d'induction contribuent au courant injecté, ce qui conduit à différentes formes d'impulsions pour le courant au niveau de la tête de décharge et à différentes tensions induites dans les pistes dues aux champs. Les tensions induites dans les pistes ont typiquement une largeur bien plus étroite que le courant initial de DES comme défini dans la norme et elles peuvent présenter des résonances.

Compte tenu de la dépendance des champs transitoires à la conception du générateur de DES spécifique (en particulier les composantes de champs avec de l'énergie à des

fréquences supérieures à 300 MHz), on doit s'attendre à ce que les courants induits sur une piste, un fil ou dans un CI soient fortement affectés par la conception spécifique du générateur de DES. Ceci pourrait conduire à une variation importante des résultats d'essai (dans la plupart des cas dérèglement du système, non destruction), si le même EST est soumis aux essais avec différents générateurs de DES et si le fabricant du générateur de DES n'a pas pris de précautions, pour réduire la partie non désirée des champs électromagnétiques qui sont causés par la chute rapide de tension à l'intérieur du relais. Noter que ces différences dans les résultats d'essai n'apparaissent que si l'EST est sensible aux champs à haute fréquence, essentiellement >1 GHz.

D.3 Champs transitoires de l'événement DES de référence

Des champs transitoires provenant de DES personne-métal ayant des temps de montée d'environ 850 ps à une tension de charge de 5 kV ont été mesurés. Il convient qu'un générateur de DES idéal reproduise ces champs pour les essais en mode au contact à 5 kV. Pour obtenir les données, des capteurs de champs à large bande (± 1 dB entre 1,5 MHz et 1,5 GHz) ont été placés sur le plan de référence vertical à une distance de 0,1 m du point de décharge, c'est-à-dire l'emplacement de la cible.



IEC 2225/08

Figure D.1 – Champ électrique d'une personne réelle tenant une pièce métallique, chargée à 5 kV, mesuré à une distance de 0,1 m et pour une longueur d'arc de 0,7 mm

Le champ électrostatique domine le champ électrique. Le champ diminue de la valeur électrostatique à 20 % de sa valeur initiale en un temps de descente qui est similaire au temps de montée du courant.

Un exemple d'un champ magnétique est donné à la Figure D.2, sur la base d'un courant de décharge ayant un temps de montée de 500 ps.

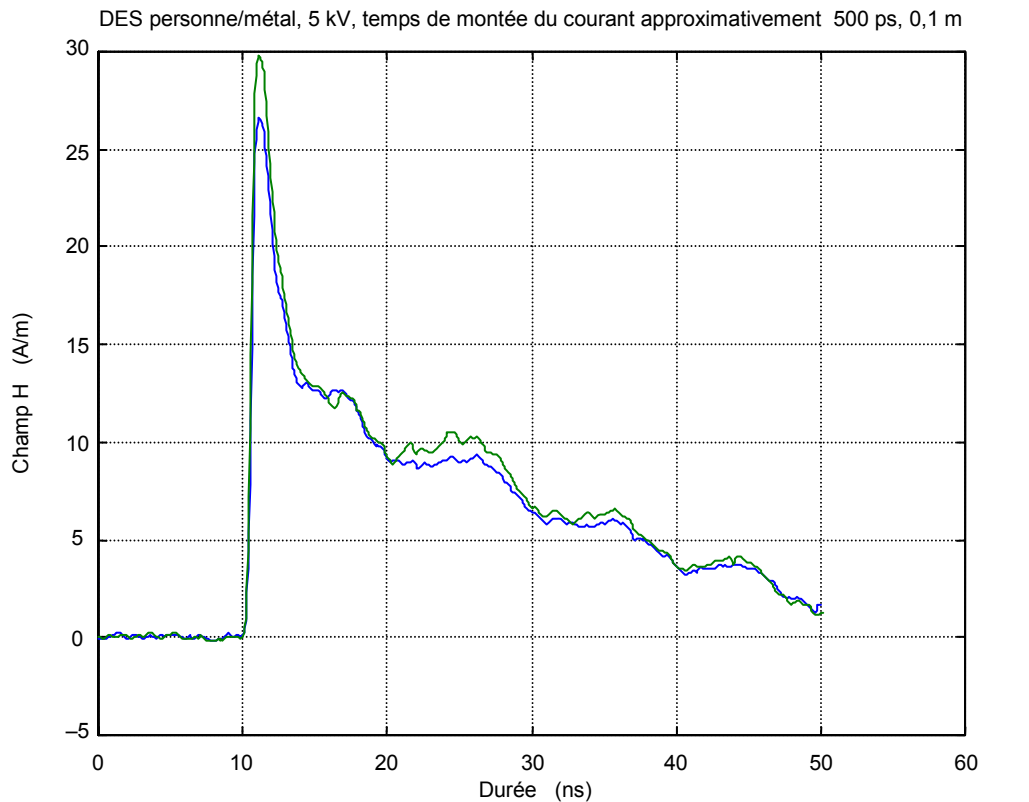


Figure D.2 – Champ magnétique d’une personne réelle tenant une pièce métallique, chargée à 5 kV, mesuré à une distance de 0,1 m et pour une longueur d’arc d’environ 0,5 mm

La forme d’onde du champ magnétique suit la forme d’onde du courant.

Un problème possible dans les formes d’ondes de champ provenant des générateurs de DES est celui des résonances. Les valeurs de champs provenant des générateurs de DES peuvent être très inférieures ou très supérieures aux formes d’ondes de champs humain/métal en fonction de l’angle avec lequel le générateur de DES et le raccord à la masse sont orientés vers le capteur de champ.

D.4 Tension induite dans une petite boucle

Les champs transitoires de la DES induiront des tensions dans les pistes sur les cartes de CI. Si une petite boucle est placée sur un plan de sol, une mesure du contenu haute fréquence des champs transitoires peut être déduite d’une manière qui n’exige pas des capteurs de champs à large bande étalonnés et qui reflète le processus d’induction dans une piste plus directement que la mesure de champ. Un montage d’essai est représenté à la Figure D.3.

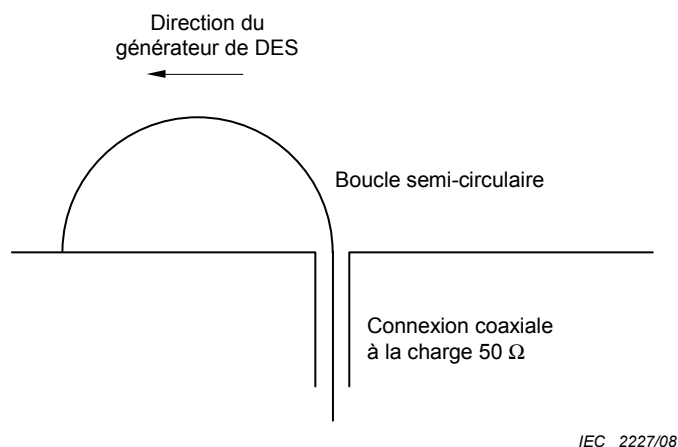


Figure D.3 – Boucle en demi-cercle sur le plan de sol

A la Figure D.3 le rayon de la boucle est de 14 mm. Le diamètre du fil est de 0,7 mm. La boucle est placée à une distance de 0,1 m du générateur de DES.

Les tensions induites de DES typiques personne-métal à 5 kV ayant un temps de montée d'environ 850 ps, sont représentées à la Figure D.4.

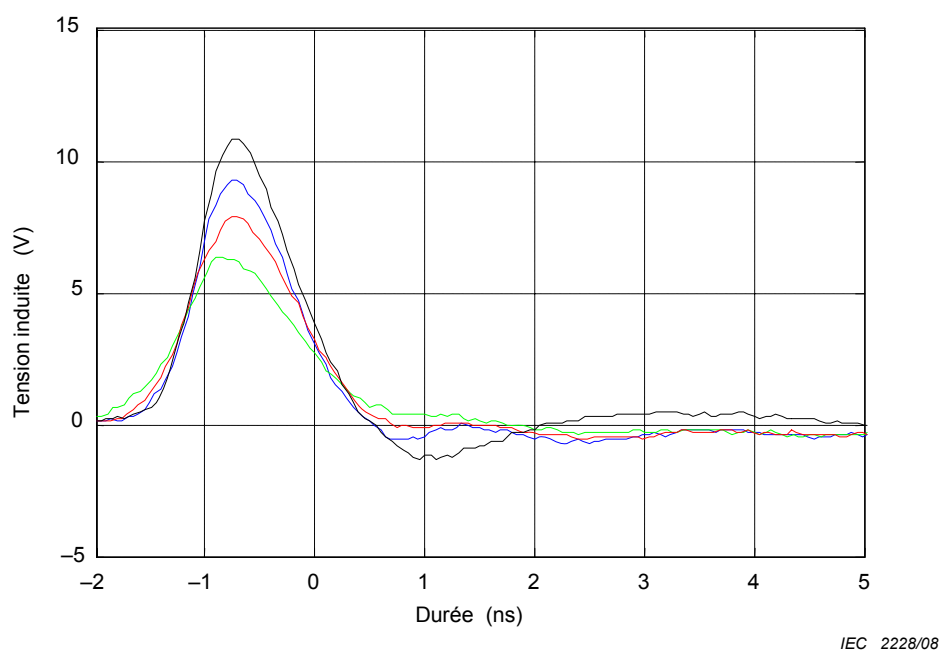
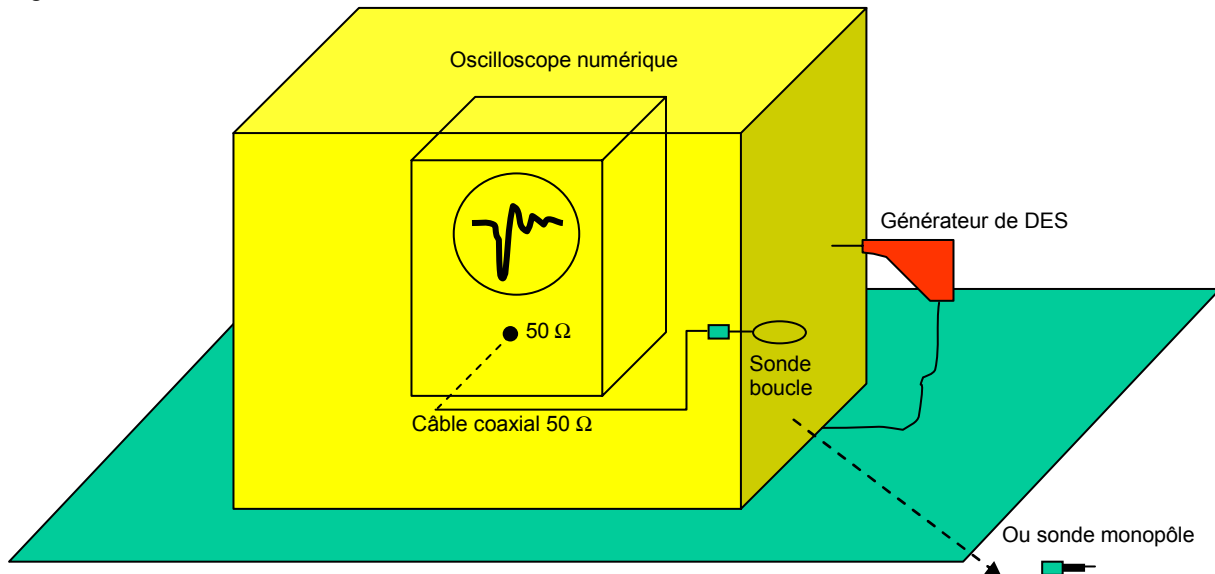


Figure D.4 – Tensions induites dans une demi-boucle

A la Figure D.4, le rayon de la boucle de 14 mm est placé à une distance de 0,1 m de la DES personne-métal (5 kV, temps de montée d'environ 850 ps, longueur d'arc autour de 800 μm). La demi-boucle est chargée par 50 Ω.

D.5 Mesure de champs rayonnés dus à une DES en utilisant des sondes de champs du marché et des générateurs de DES

Un exemple de montage d'essai pour mesurer les champs DES rayonnés est donné à la Figure D.5.



IEC 2229/08

Figure D.5 – Exemple de montage d'essai pour mesurer les champs de DES rayonnés

Il convient d'utiliser les instruments suivants pour mesurer les champs E et H :

- oscilloscope numérique à mémoire de largeur de bande d'au moins 2 GHz;
- ensemble de sondes du marché de champ H (petite boucle avec blindage pour réjection de E) et champ E (petit monopôle);
- câble coaxial 50 Ω ;
- générateur de DES.

Montage de mesure (voir Figure D.5):

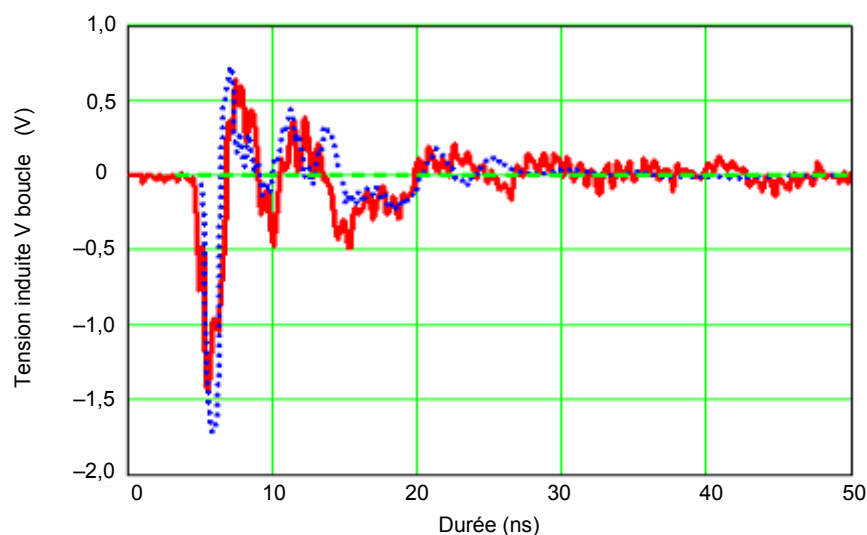
- Il convient que les mesures soient réalisées dans un local blindé (ceci n'est pas nécessaire si l'environnement ne produit pas de perturbations significatives).
- Il convient que le générateur de DES soit réglé sur 5 kV.
- Il convient que le courant de décharge de DES soit mesuré conformément au montage indiqué dans la norme en vue d'une comparaison avec la forme d'onde mathématique de DES de référence.
- Il convient que l'oscilloscope numérique soit à l'intérieur d'une enveloppe blindée.
- Il convient que les sondes de champ soient connectées à l'oscilloscope par un câble coaxial de 50 Ω et qu'elles soient positionnées au bord de la boîte blindée comme indiqué à la Figure D.5.
- Il convient que le câble coaxial soit positionné d'une manière qui empêche la capture éventuelle de champs rayonnés (par exemple câble coaxial très proche de la boîte et câble blindé connecté à la boîte).
- La chute de tension sur l'impédance 50 Ω de l'oscilloscope sera mesurée.
- Il convient que la DES soit réalisée en mode au contact sur une grande surface de l'enveloppe blindée.

- Il convient que le générateur de DES soit décalé pour mesurer les champs rayonnés à plus d'une distance des sondes.

Calcul de E et H à partir de la tension induite mesurée dans la charge de la sonde :

- Mesurer avec un oscilloscope numérique la chute de tension $v(t)$ due aux champs rayonnés produits par le générateur de DES sur une charge de 50Ω .
- Calculer $V(\omega)$ comme la transformée de Fourier (FT) de $v(t)$.
- Calculer ou mesurer la fonction de transfert $T(\omega)$ pour la sonde de champ utilisée.
- Calculer les champs $E(t)$ et $H(t)$ comme la transformée de Fourier inverse (IFT) de $V(\omega)/T(\omega)$.

Quelques résultats sont donnés aux Figures D.6 et D.7. La donnée de simulation numérique est utilisée pour valider et vice versa la procédure de calcul du champ H à partir de la donnée de chute de tension mesurée dans la boucle.



IEC 2230/08

Figure D.6 – Comparaison entre la chute de tension mesurée (trait plein) et la valeur calculée numériquement (trait pointillé) sur la boucle pour une distance de 45 cm

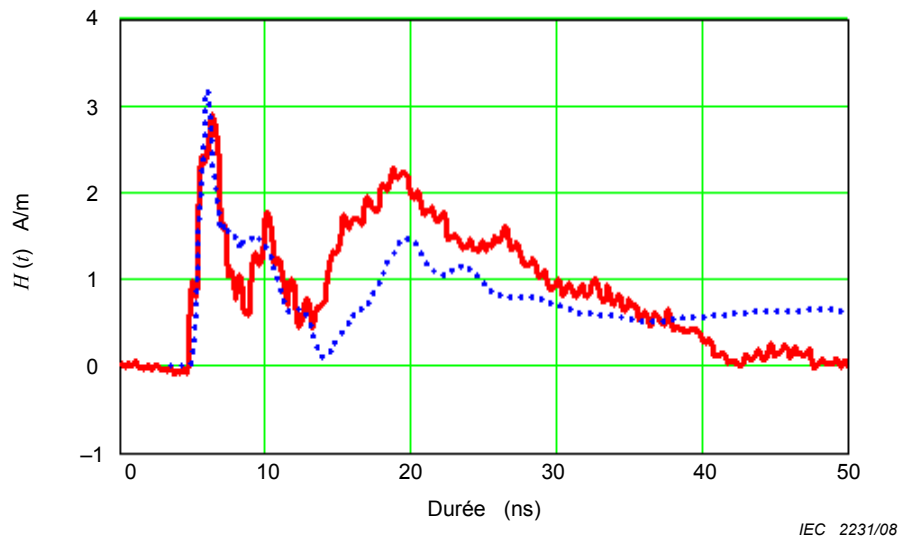
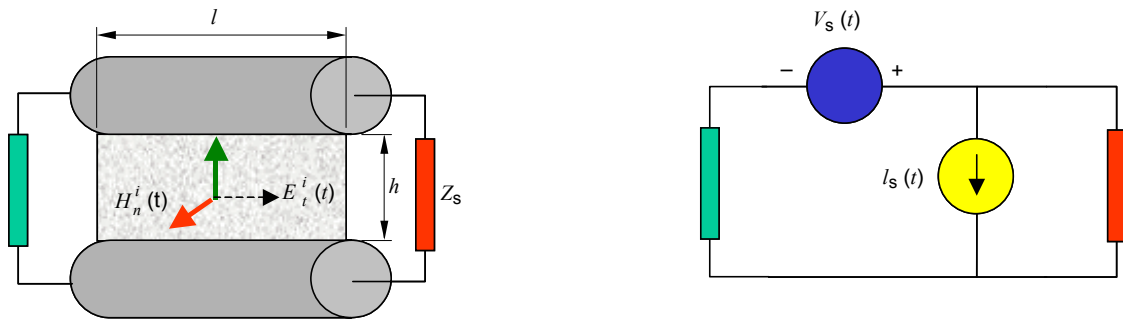


Figure D.7 – Comparaison entre le champ H calculé à partir de la donnée mesurée (trait plein) et le champ H calculé par simulation numérique (trait pointillé) pour une distance de 45 cm

D.6 Procédure simple pour estimer les champs rayonnés et les tensions induites par les générateurs de DES

La procédure suivante peut être utilisée pour estimer les champs rayonnés par les générateurs de DES en utilisant le courant de DES mesuré:

- Le courant de DES normalisé ou mesuré est utilisé au niveau de la pointe.
- Le circuit victime est considéré comme électriquement court et, en première approximation, les paramètres par unité de ligne peuvent être négligés.
- Une fois les champs perturbateurs connus dans le domaine temporel, la tension induite peut être calculée par le circuit équivalent de la Figure D.8.
- La contribution du champ E peut être négligée pour les circuits qui ont au moins une impédance de charge faible (par exemple dispositifs numériques à grande vitesse).
- Le champ H est calculé par la simple équation: $H=I/(2\pi r)$, où r est la distance entre la pointe et le circuit victime. D'autres contributions comme le courant dans le relais de DES, le courant de déplacement, le raccord à la masse, etc. sont négligées.
- La comparaison entre les résultats estimés (cas le plus défavorable) et les résultats réels obtenus à partir d'un montage d'essai, est donnée pour quantifier les différences (par exemple voir la Figure D.9 pour le champ H).



IEC 2232/08

Figure D.8 – Structure illuminée par des champs rayonnés et circuit équivalent

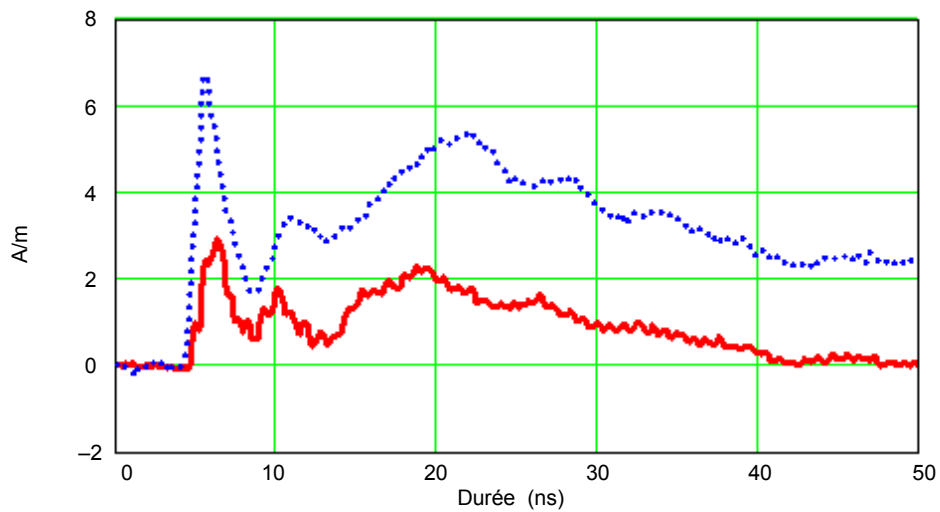
$$V_S(t) = \mu A \frac{\partial H_n^i(t)}{\partial t}$$

$$I_S(t) = C \times l \times h \frac{\partial E_t^i(t)}{\partial t}$$

où

$A = l \times h$ Surface de la boucle

$C =$ capacité de ligne / m



IEC 2233/08

Légende

Champs H rayonnés à une distance $r = 45$ cm

Trait plein mesuré

Trait pointillé calculé en utilisant $I/(2\pi r)$

I est le courant de DES mesuré

Figure D.9 – Champs H rayonnés

D.7 Document de référence

S. Caniggia, F. Maradei *Numerical Prediction and Measurement of ESD Radiated Fields by Free-Space Field Sensors*, IEEE Trans. on EMC, Vol.49, August 2007.

Annexe E (informative)

Considérations concernant l'incertitude de mesure

E.1 Généralités

La répétabilité des essais de CEM dépend de nombreux facteurs ou influences qui affectent le résultat d'essai. Ces influences développent des erreurs pour générer une quantité de perturbations pouvant être catégorisée en effets aléatoires ou systématiques. La conformité de la quantité de perturbation réalisée avec la quantité de perturbation définie dans la présente norme est généralement confirmée par une série de mesures (par exemple mesure du temps de montée avec un oscilloscope utilisant des atténuateurs). Le résultat de chaque mesure n'est qu'une approximation de la valeur du mesurande et la grandeur mesurée peut différer de la vraie valeur en raison de l'incertitude de mesure. Un élément critique en vue de déterminer l'incertitude de mesure est l'incertitude associée à l'étalonnage de l'instrumentation d'essai.

Pour atteindre une fiabilité élevée des résultats d'étalonnage, il est nécessaire d'identifier les sources d'incertitude intervenant dans l'instrumentation de mesure et d'indiquer l'incertitude de mesure.

E.2 Catégories d'incertitude

Les erreurs de mesure comportent généralement deux composantes; une composante aléatoire (désignée ci-après type A) et une composante systématique (désignée ci-après type B). L'incertitude de mesure est associée à des effets imprévisibles. L'incertitude systématique est généralement liée à l'instrumentation utilisée pour la mesure. Les composantes systématiques peuvent parfois être corrigées ou réduites, mais par définition les composantes aléatoires ne le peuvent pas. Pour un système de mesure donné, il peut y avoir de nombreux effets qui peuvent influencer l'une ou l'autre de ces composantes.

Il peut arriver qu'une incertitude aléatoire d'une méthode d'essai puisse devenir une incertitude systématique pour une autre où les résultats de la première sont appliqués. Afin d'éviter cette confusion potentielle, à la place d'incertitude "systématique" et "aléatoire", les types de contribution à l'incertitude sont regroupés en deux catégories

- Type A: ces incertitudes sont évaluées par des méthodes statistiques en estimant leurs écarts types pour une série d'essais. La distribution suivie est généralement de type Normal ou Gaussien.

Distribution	Incertitude combinée	Observations
Normale ou Gaussienne	$U_C(y) = \sqrt{\frac{1}{(n-1)} \sum_{j=1}^n (u_j - \bar{u})^2}$	Obtenues typiquement à partir d'enregistrements de vérification

- Type B: ces incertitudes sont évaluées par d'autres moyens. Elles sont généralement associées à des effets tels que la désadaptation, les pertes dans les câbles et les caractéristiques non linéaires de l'instrumentation. Dans une analyse, l'amplitude et la distribution des incertitudes de type B peuvent être estimées à partir de données d'étalonnage, de spécifications du fabricant de l'instrument de mesure ou simplement à partir des connaissances et de l'expérience.

La classification en type A et en type B ne signifie pas qu'il existe une différence dans la nature des composants, il s'agit d'une séparation fondée sur l'évaluation de leur nature. Ces

deux types peuvent avoir des distributions de probabilité et les composantes d'incertitude qui résultent d'un type peuvent être quantifiées par des écarts types.

E.3 Limitations

Les limitations et conditions suivantes s'appliquent à l'égard du présent texte:

- Le budget d'incertitude est limité à l'incertitude due à l'instrumentation de mesure (incertitude de type B). Ceci n'implique toutefois pas qu'un laboratoire doive ignorer l'influence des incertitudes de type A, mais qu'il convient que celles-ci soit évaluées séparément par les laboratoires d'essai pour obtenir une image plus complète de leur incertitude de mesure.
- Toutes les contributions sont supposées être non corrélées.
- Un niveau de confiance de 95 % est considéré comme acceptable.

NOTE Un exemple d'un budget d'incertitude de type B est donné aux Tableaux E.1, E.2 et E.3.

E.4 Calcul de l'incertitude de type B

L'incertitude standard est calculée à partir de la valeur déterminée en appliquant le diviseur assigné à sa distribution de probabilité.

Pour les distributions de probabilité individuelles prises en compte dans le présent document, les diviseurs sont:

Distribution	Diviseur	Observations
Normale	Facteur de couverture, k	$k = 2$ pour une confiance à 95 %. Provenant typiquement de certificats d'étalonnage
Rectangulaire	$\sqrt{3}$	Provenant typiquement des données du fabricant pour l'instrument
En forme de U	$\sqrt{2}$	Incertain de désadaptation Contribution d'incertitude plus susceptible d'être aux limites

Dans tous les cas où la distribution de l'incertitude est inconnue, la distribution rectangulaire est prise comme modèle par défaut.

Calculer l'incertitude standard combinée pour tout essai implique de combiner les incertitudes normalisées individuelles. Ceci est valable si toutes les grandeurs sont exprimées dans les mêmes unités, si elles ne sont pas corrélées et se combinent par addition selon une échelle logarithmique (généralement en dB). Cependant, il convient que pour les étalonnages de DES les unités ainsi que les mesures soient données en %; en calculant comme suit

$$10^{\frac{(\text{unité_en_dB})}{20}} \times 100$$

Le résultat de ce calcul est une incertitude standard combinée, $u_c(y)$, où

$$u_c(y) = \sqrt{\sum_{i=1}^m u_i^2(y)}$$

avec $u_i(y)$ défini comme l'incertitude standard individuelle.

La distribution en t (*Student's t -distribution*) donne des facteurs de couverture (c'est-à-dire des multiplicateurs) pour l'incertitude, en estimant que la variable de sortie, y , suit une distribution Normale.

En multipliant $u_c(y)$ par un facteur de couverture (k), une incertitude étendue U_c donnant un niveau de confiance supérieur, peut être obtenue. Le facteur de couverture est obtenu par les degrés de liberté; calculés à partir de la relation entre les incertitudes de type A et de type B.

E.5 Compilation d'un budget d'incertitude

Un budget d'incertitude est une liste des sources probables d'erreur dans une mesure avec une estimation de leur distribution de probabilité.

Le calcul d'un budget d'incertitude nécessite les étapes suivantes:

- a) spécifier la caractéristique de la quantité de perturbation (c'est-à-dire ce qui est généré par l'instrumentation);
- b) identifier les contributions à l'incertitude et leur valeur;
- c) définir la distribution de probabilité de chaque contribution;
- d) calculer l'incertitude standard $u(x_i)$ pour chaque contribution;
- e) calculer l'incertitude combinée $u_c(y)$, le facteur de couverture k et l'incertitude étendue, $U_c = u_c(y) \times k$;
- f) appliquer l'incertitude élargie;
- g) la publication de l'incertitude élargie dans la documentation qualité selon ce qui est nécessaire (il n'est pas exigé que le laboratoire d'essai publie ces chiffres dans les rapports d'essai sauf si on lui demande).

Des exemples de budgets d'incertitude avec des contributeurs identifiés et des valeurs associées sont donnés à l'Article E.6. Il convient de noter qu'ils sont destinés à servir de lignes directrices et qu'il convient qu'un laboratoire d'étalonnage ou d'essai identifie les contributeurs et valeurs réels pour son montage d'essai particulier (cela signifie que le budget final peut identifier une liste minimale des contributeurs qu'il convient de prendre en compte. Un laboratoire d'essai aura ensuite besoin d'identifier des contributeurs supplémentaires. Cela donnera une meilleure comparaison de l'incertitude entre laboratoires d'essai).

E.6 Contributeurs d'incertitude des DES

Les incertitudes d'étalonnage des DES ainsi que celles des essais de DES, ne peuvent pas être traitées de la même manière que pour l'émission et les autres mesures car les essais de DES n'ont pas de résultat numérique mais ont simplement un résultat d'essai de "réussite" ou d'"échec". Au cours des essais de DES, la grandeur de perturbation caractérisée par plusieurs paramètres est appliquée à l'EST. Un ou plusieurs signaux observables de l'EST sont surveillés ou observés et comparés à des critères acceptés, desquels le résultat de l'essai (réussite/échec) est dérivé.

NOTE 1 Pour l'étalonnage, le terme EST signifie la même chose que : générateur de DES en étalonnage.

NOTE 2 L'expression instrumentation de mesure fait référence ici à l'instrumentation utilisée pour l'étalonnage.

Une incertitude de mesure classique peut, en principe, être appliquée à la mesure des signaux provenant de l'EST. Comme le processus de mesure pour la surveillance est spécifique à l'EST, une norme fondamentale ne peut pas et ne devrait pas traiter de l'incertitude de mesure pour le système de surveillance (l'observateur), toutefois cela peut être fait.

Des incertitudes peuvent aussi être spécifiées pour les paramètres de la grandeur de la perturbation. A ce titre, elles décrivent le degré de conformité de l'instrumentation spécifiée avec les spécifications de la présente norme fondamentale.

Ces incertitudes qui sont déduites pour une instrumentation de mesure particulière, ne décrivent pas le degré de conformité entre le phénomène électromagnétique simulé tel qu'il est défini dans la norme fondamentale, et le phénomène électromagnétique réel à l'extérieur du laboratoire. Par conséquent, les questions concernant les définitions de la grandeur de la perturbation (par exemple la positionnement du pistolet de DES par rapport au plan de la cible) ne sont pas pertinentes pour les incertitudes de l'instrumentation de mesure.

Comme l'influence des paramètres de la grandeur de la perturbation sur l'EST est a priori inconnue et que dans la plupart des cas l'EST présente un comportement de système non linéaire, une seule valeur d'incertitude ne peut pas être définie pour la grandeur de la perturbation comme incertitude globale. Il convient que chacun des paramètres de la grandeur de la perturbation soit accompagné d'une incertitude spécifique qui peut donner plus d'un budget d'incertitude pour l'essai.

NOTE 3 A titre d'exemple, cette annexe se concentre sur les incertitudes d'étalonnage.

La liste suivante montre les contributeurs utilisés pour évaluer à la fois l'instrumentation de mesure et les influences du montage d'essai:

- lecture de la valeur de crête;
- lecture de 10 % du niveau;
- lecture de 90 % du niveau;
- lecture de la durée à 30 ns et 60 ns;
- impédance de transfert basse fréquence Z_{sys} ;
- tension statique;
- chaîne de désadaptation - oscilloscope;
- chaîne cible-atténuateur-câble;
- contribution de la mesure horizontale à l'oscilloscope;
- contribution de la mesure verticale à l'oscilloscope;
- répétabilité du système de mesure (type A);
- orientation du générateur de DES (type A);
- emplacement du générateur de DES (type A);
- variation du montage d'essai (type A);
- étalonnage de la cible, de l'oscilloscope, de l'atténuateur.

On doit reconnaître que les contributions qui s'appliquent pour l'étalonnage et pour l'essai peuvent ne pas être les mêmes. Ceci conduit à des budgets d'incertitude (légèrement) différents pour chaque processus.

Des aspects tels que l'orientation du pistolet de DES sont considérés comme étant des incertitudes de type A et de telles incertitudes ne sont généralement pas traitées dans la présente norme fondamentale. Une exception a été faite à cette règle pour tenir compte de la répétabilité du système de mesure pour les mesures ainsi que pour les étalonnages.

E.7 Incertitude des résultats d'étalonnage

Il est recommandé de produire des budgets d'incertitude indépendants pour chaque élément d'étalonnage; c'est-à-dire I_p , I_{30} , I_{60} , t_r . Pour un essai de DES, la grandeur de perturbation est le courant de décharge provenant du générateur de DES qui est appliqué à l'EST. Les

éléments d'étalonnage de cette quantité de perturbation sont I_p , I_{30} , I_{60} et t_r . Comme cela est décrit à l'Article E.6, il convient qu'un budget d'incertitude indépendant soit calculé pour chacun de ces paramètres.

Les Tableaux E.1, E.2 et E.3 donnent des exemples des budgets d'incertitude calculés pour ces paramètres. Les tableaux incluent les contributeurs au budget d'incertitude qui sont considérés les plus significatifs pour ces exemples, les détails (valeurs numériques, type de distribution, etc.) de chaque contributeur et les résultats des calculs exigés pour déterminer chaque budget d'incertitude.

Tableau E.1 – Exemple de budget d'incertitude pour l'étalonnage du temps de montée de DES

Contributeur	Distribution	Valeur ps	$u_i(y)$ ps	$u_i(y)^2$ ps ²	Commentaire
Lecture de la valeur de crête	Normale $k = 2$	50	25	625	Incrtitude de la valeur de crête 6,3 % (Tableau E.2) fois le temps de montée de 800 ps mesuré
Lecture de la durée à 90 % du courant de crête	Rectangulaire Diviseur = $\sqrt{3}$	25	14	196	Vitesse d'échantillonnage d'oscilloscope: 20 GS/s
Lecture de la durée à 10 % du courant de crête	Rectangulaire Diviseur = $\sqrt{3}$	25	14	196	Vitesse d'échantillonnage d'oscilloscope: 20 GS/s
Contribution totale de la mesure horizontale à l'oscilloscope (NOTE 1)	Normale $k = 2$	36	18	324	Provenant du laboratoire d'étalonnage de l'oscilloscope
Chaîne cible-atténuateur-câble	Normale $k = 2$	30	15	225	Provenant du laboratoire d'étalonnage de l'oscilloscope (NOTE 2)
Répétabilité	Normale Diviseur = 1	45	45	2 025	Obtenu à partir de l'évaluation du type A (NOTE 3)
			Somme	3 591	
Incrtitude standard combinée u_c sur le temps de montée			Racine	60 ps	
Incrtitude élargie U sur le temps de montée	Normale $k = 2$	120 ps (15 %)			Niveau de confiance de 95 %

NOTE 1 La contribution totale de la mesure horizontale à l'oscilloscope contient les contributions d'incertitude de la résolution horizontale de l'oscilloscope, de la résolution d'interpolation, de la résolution de la base de temps, de la mesure de fréquence, de la correction du temps de montée, etc.

NOTE 2 Le certificat d'étalonnage de la chaîne contient souvent uniquement la réponse en fréquence de l'atténuation. Ici on a admis que la contribution d'incertitude à la mesure du temps de montée a été donnée par le laboratoire d'essai, donc $k = 2$.

NOTE 3 La répétabilité est normalement prise à partir d'au moins 5 mesures consécutives. Il s'agit d'une évaluation de type A et pour l'écart type $s(\bar{q})$, la formule pour un ensemble de n mesures répétées est donnée par

$$s(\bar{q}) = \sqrt{\frac{1}{n(n-1)} \sum_{j=1}^n (q_j - \bar{q})^2}$$

avec q_j : résultat de la $j^{\text{ème}}$ mesure et \bar{q} moyenne arithmétique des résultats.

Tableau E.2 – Exemple de budget d'incertitude pour l'étalonnage du courant de crête de DES

Contributeur	Distribution	Valeur %	$u_i(y)$ %	$u_i(y)^2$ % ²	Observation
Contribution totale de la mesure verticale à l'oscilloscope (NOTE 1)	Normale $k = 2$	3,2	1,6	2,56	Provenant du laboratoire d'étalonnage
Chaîne cible-atténuateur-câble	Normale $k = 2$	3,6	1,8	3,24	Provenant du laboratoire d'étalonnage
Désadaptation: Chaîne vers oscilloscope	En forme de U. Diviseur = $\sqrt{2}$	2	1,4	2	Provenant de l'étalonnage ou des spécifications (NOTE 2)
Impédance de transfert à basse fréquence	Normale $k = 2$	6×10^{-6}	3×10^{-6}	9×10^{-12}	Étalonnage interne (NOTE 3)
Répétabilité	Diviseur = 1	1,5	1,5	2,25	Obtenu à partir de l'évaluation de type A (NOTE 4)
			Somme	10,05	
Incertitude normalisée combinée u_c sur le courant de crête			Racine	3,17	
Incertitude élargie U du courant de crête	$k = 2$	6,3 %			Niveau de confiance à 95 %

NOTE 1 La contribution totale de la mesure verticale à l'oscilloscope contient les contributions de la résolution verticale de l'oscilloscope, de la linéarité BF, de la linéarité HF, de la résolution de décalage, etc. L'étalonnage doit couvrir toute la gamme de fréquences, c'est-à-dire $f \leq 2$ GHz. Toutefois, l'homogénéité n'a pas à être supérieure à celle d'un filtre du premier ordre avec $f_c = 2$ GHz à la coupure: c'est-à-dire $A(f) \sim |1 + (f/f_c)^2|^{-1/2}$.

NOTE 2 La contribution de désadaptation est due au facteur de réflexion en sortie Γ_C de la chaîne cible-atténuateur-câble et au facteur de réflexion à l'entrée Γ_O de l'oscilloscope. Il convient de les obtenir soit à partir des certificats d'étalonnage, soit à partir des spécifications. En raison des contributions des erreurs de deuxième ordre de Γ , une spécification fiable est suffisante. Noter toutefois qu'une spécification doit aussi couvrir toute la gamme de fréquences et ce n'est souvent pas le cas avec les oscilloscopes, ainsi une mesure supplémentaire pourrait être exigée.

La contribution de désadaptation est:

$\Gamma_C \cdot \Gamma_O$, avec distribution en U, donnant le diviseur $\sqrt{2}$.

Cette formule d'incertitude de désadaptation suppose que la réponse en amplitude de l'oscilloscope a été étalonnée selon les concepts d'étalonnage en radiofréquence, c'est-à-dire que l'erreur de tension est liée à la tension incidente provenant d'une source de 50Ω et pas à la tension réelle à l'entrée. Il convient que cela soit vérifié dans le certificat, sinon une formule différente doit être appliquée.

NOTE 3 On suppose que le laboratoire a une instruction d'étalonnage séparée avec une évaluation d'incertitude qui donne l'incertitude élargie U de cet étalonnage.

NOTE 4 La répétabilité est normalement prise à partir d'au moins 5 mesures consécutives. Il s'agit d'une évaluation de type A et pour l'écart type $s(\bar{q})$, la formule pour un ensemble de n mesures répétées est donnée par

$$s(\bar{q}) = \sqrt{\frac{1}{n(n-1)} \sum_{j=1}^n (q_j - \bar{q})^2}$$

avec q_j : résultat de la $j^{\text{ème}}$ mesure et \bar{q} moyenne arithmétique des résultats.

Tableau E.3 – Exemple de budget d’incertitude pour l’étalonnage de DES à I_{30} , I_{60}

Contributeur	Distribution	Valeur %	$u_i(y)$ %	$u_i(y)^2$ % ²	Observation
Incertitude du Tableau E.2	Normale $k = 2$	6,3	3,15	9,92	Incertitude du courant de crête (Tableau E.2)
Lecture de la durée à 30 ns ou 60 ns	Rectangulaire $k = \sqrt{3}$	0,17	0,098	0,0096	Sensibilité du courant lu à 30 ns ou 60 ns, pour une mesure à un intervalle de temps compris entre la valeur à 10 % du courant de crête et 30 ns ou 60 ns. Vitesse d’échantillonnage de l’oscilloscope: 20 GS/s (deux lectures avec une incertitude de 50 ps chacune)
			Somme	9,93	
u_c			Racine	3,15 %	
Incertitude élargie U à I_{30} et I_{60}	Normale $k = 2$	6,3 %			Niveau de confiance de 95 %

Les comités de produit ou les organismes d’accréditation peuvent imposer d’autres interprétations.

E.8 Application des incertitudes dans le critère de conformité du générateur de DES

Généralement, pour être sûr que le générateur répond à ses spécifications, il convient que les résultats d’étalonnage soient dans les limites spécifiées de cette norme (les tolérances ne sont pas réduites par les incertitudes de mesure).

Les incertitudes de mesure suivantes sont recommandées pour les laboratoires qui réalisent des étalonnages:

- Temps de montée t_r Incertitude de mesure ≤ 15 %
- Courant de crête I_p Incertitude de mesure ≤ 7 %
- Courant à 30 ns Incertitude de mesure ≤ 7 %
- Courant à 60 ns Incertitude de mesure ≤ 7 %

Annexe F (informative)

Variation des résultats d'essai et stratégie d'intensification

F.1 Variations dans les résultats d'essai

En raison de la nature complexe des DES et des tolérances nécessaires concernant les équipements d'essai, une variation dans les résultats des essais de DES peut être attendue. Souvent, ces variations sont des différences dans les niveaux d'essai auxquels des erreurs apparaissent ou dans les types d'erreurs que l'EST subit au cours des essais. En fonction du niveau d'essai auquel elles apparaissent, de telles variations de résultats d'essai peuvent affecter la décision de déclarer que l'EST a subi l'essai avec succès ou non.

Dans le cas de différences dans les résultats d'essai, il convient que les étapes suivantes soient normalement utilisées pour déterminer la source des différences.

- Vérifier le montage d'essai; examiner tous les détails y compris la position de chaque câble et l'état de l'EST (par exemple couvercles, portes).
- Vérifier la procédure d'essai comprenant le mode de fonctionnement de l'EST, la position et l'emplacement du matériel auxiliaire, la position de l'opérateur, l'état du logiciel, l'application des décharges à l'EST.
- Vérifier le générateur d'essai; fonctionne-t-il correctement ? Quand a-t-il été étalonné pour la dernière fois ? Fonctionne-t-il dans les limites des spécifications ? Les différences des résultats d'essai sont-elles dues à l'utilisation de différents générateurs ?

Si des différences dans les résultats d'essai sont causées par l'utilisation de différents générateurs de DES, alors les résultats avec tout générateur qui satisfait aux exigences de 6.2 peuvent être utilisés pour déterminer la conformité avec la présente norme.

F.2 Stratégie d'intensification

Si des différences dans les résultats d'essai interviennent lorsque toutes les conditions d'essai, y compris le générateur de DES, sont les mêmes, alors la stratégie d'intensification suivante peut être appliquée pour déterminer la conformité avec la norme. Cette stratégie serait appliquée individuellement à chaque point d'essai connaissant des résultats d'essai variables.

- a) Le premier essai consiste (consistait) à appliquer le nombre prescrit de décharges à un point d'essai conformément à 8.3 (par exemple 50 décharges) avec le niveau d'essai prévu. Si aucun effet inacceptable ne se produit dans le premier groupe de décharges, l'EST réussit l'essai pour le point d'essai concerné. Si un effet inacceptable se produit dans ce groupe de décharges, un autre essai conforme au point b) suivant est réalisé. Si plus d'un effet inacceptable se produit dans ce groupe de décharges, l'EST ne réussit pas l'essai pour le point d'essai concerné.
- b) Le deuxième essai consiste à appliquer un nouveau groupe avec un nombre double de décharges au niveau de ce point d'essai avec le niveau d'essai prévu. Si aucun effet inacceptable ne se produit dans ce groupe de décharges, l'EST réussit l'essai pour le point et le niveau d'essai concernés. Si un effet inacceptable se produit dans ce groupe de décharges, un autre essai conforme au point c) suivant peut être réalisé; sinon l'EST ne réussit pas l'essai de ce point d'essai. Si plus d'un effet inacceptable se produit dans ce groupe de décharges, l'EST ne réussit pas l'essai pour le point d'essai concerné.
- c) Le troisième essai consiste à appliquer un nouveau groupe avec le même nombre de décharges qu'au point b), au niveau de ce point d'essai avec le niveau d'essai prévu. Si aucun effet inacceptable ne se produit dans ce groupe de décharges, l'EST réussit

l'essai pour le point d'essai concerné. Si un ou plusieurs effets inacceptables se produisent dans ce groupe de décharges, l'EST ne réussit pas l'essai pour le point d'essai concerné.

Bibliographie

CEI 600050-311, *Vocabulaire électrotechnique international – Partie 311: Termes généraux concernant les mesures*

CEI 61000-6-1, *Compatibilité électromagnétique (CEM) – Partie 6-1: Normes génériques – Immunité pour les environnements résidentiels, commerciaux et de l'industrie légère*

CEI Guide 107, *Compatibilité électromagnétique – Guide pour la rédaction des publications sur la compatibilité électromagnétique*

© CEI 2008

INTERNATIONAL
ELECTROTECHNICAL
COMMISSION

3, rue de Varembé
PO Box 131
CH-1211 Geneva 20
Switzerland

Tel: + 41 22 919 02 11
Fax: + 41 22 919 03 00
info@iec.ch
www.iec.ch